

Digital RGB Terminal Board

TY-42TM6D

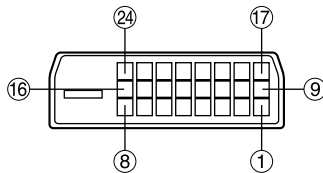
Product summary

- Let you connect a PC or other compatible digital equipment that outputs digital RGB signals (DVI-D compliant) (Supports copy protection.)
- Applicable for 8series of PWD/PHD/PS/PH.

Product specification (design and specification subject to change without notice)

Slot Compatibility	
2 Slot model	Slot 1, Slot 2
3 Slot model	Slot 1, Slot 2 (Slot 3 is not compatible)
INPUT	
DVI-N	DVI x 1
AUDIO IN	M3 jack x 1 L/R: 0.5 V [rms] (High impedance)
Weight	Approx. 250 g (0.55 lbs.)
Included Accessories	Terminal Indicator label x 1, Digital RGB video cable x 1, Slot cover x 1, Screws x 4, Terminal board replacement instructions x 1
Signal table	

Digital RGB connector Pin layouts



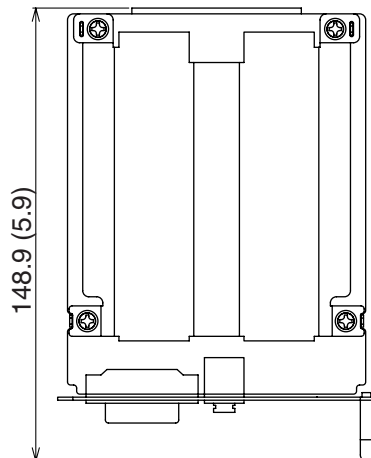
Connection port view

PinNo.	Signal	PinNo.	Signal
①	T.M.D.S. data 2-	⑬	T.M.D.S. data 3+
②	T.M.D.S. data 2+	⑭	+5 V DC
③	T.M.D.S. data 2/4 shielded	⑮	Ground
④	T.M.D.S. data 4-	⑯	Hot plug sense
⑤	T.M.D.S. data 4+	⑰	T.M.D.S. data 0-
⑥	DDC clock	⑱	T.M.D.S. data 0+
⑦	DDC data	⑲	T.M.D.S. data 0/5 shielded
⑧	_____	⑳	T.M.D.S. data 5-
⑨	T.M.D.S. data 1-	㉑	T.M.D.S. data 5+
⑩	T.M.D.S. data 1+	㉒	T.M.D.S. clock shield
⑪	T.M.D.S. data 1/3 shielded	㉓	T.M.D.S. clock+
⑫	T.M.D.S. data 3-	㉔	T.M.D.S. clock-

Applicable input signal

	Signal	Horizontal frequency (kHz)	Vertical frequency (Hz)	Dot clock frequency (MHz)
1	525 (480) /60p	31.47	59.94	27.00
2	625 (575) /50p	31.25	50.00	29.00
3	750 (720) /60p	45.00	60.00	74.25
4	1,125 (1,080) /60i	33.75	59.94	74.25
5	640 × 480 @60Hz	31.47	59.94	25.17
6	852 × 480 @60Hz	31.50	60.00	33.55
7	800 × 600 @60Hz	37.88	60.32	40.00
8	1,024 × 768 @60Hz	48.36	60.00	65.00
9	1,066 × 600 @60Hz	37.88	60.32	53.30
10	1,366 × 768 @60Hz	48.36	60.00	86.75
11*	750 (720) /50p	37.50	50.00	74.25
12*	1,125 (1,080) /50i	28.13	50.00	74.25

Dimensions



Cautions: This drawing is not a scale.

Units : mm (inches)

