

Video Terminal Board (BNC)

TY-42TM6B

Product summary

Enables connection of devices with BNC terminals, such as VCRs, color monitors or other video display equipments. Devices with S-VIDEO terminals such as digital BS tuners or DVD players are also connectable.

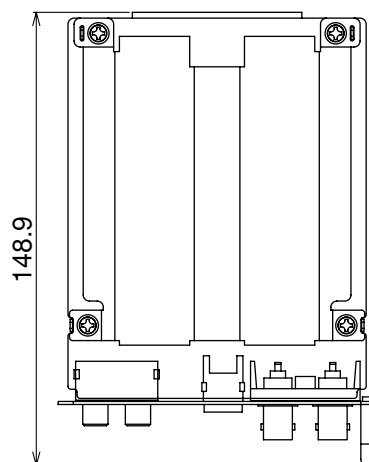
Product specification (Design and specifications subject to change without notice)

Mass	Approx. 250 g	
Accessories	<ul style="list-style-type: none"> • Terminal function label (x1) • Terminal board replacement instructions • Slot cover (x1) • Screws (x4) 	
Slot Number	2 slots model	Slot 1, Slot 2
	3 slots model	Slot 1, Slot 2 (Slot 3 is not compatible)
Terminal specification	VIDEO OUTPUT (BNC)	:1.0 V [p-p] (75-ohm)
	VIDEO INPUT (BNC)	:1.0 V [p-p] (75-ohm or high impedance : Automatic switching)
	S2 VIDEO (Mini-Din 4 pin)	: Y : 1.0 V [p-p] (75-ohm)
		: C : 0.286 V [p-p] (75-ohm)
AUDIO IN L/R (RCA PIN JACK x 2)	: 0.5 V [rms] (high impedance)	

Signals table

	Signal	Horizontal frequency (kHz)	Vertical frequency (Hz)
1	NTSC	15.73	59.94
2	PAL	15.63	50.00
3	PAL60	15.73	59.94
4	SECAM	16.63	50.00
5	Modified NTSC	15.73	59.97

Dimensions



Units : (mm)

