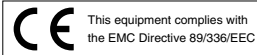


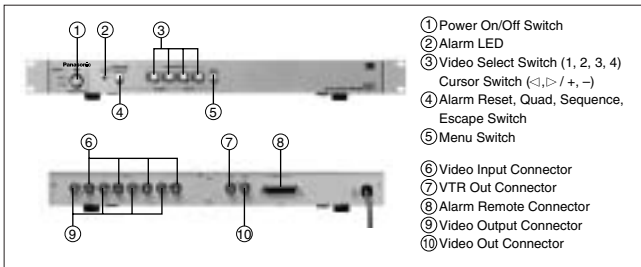
## Colour Quad Unit WJ-MS424

4 camera inputs

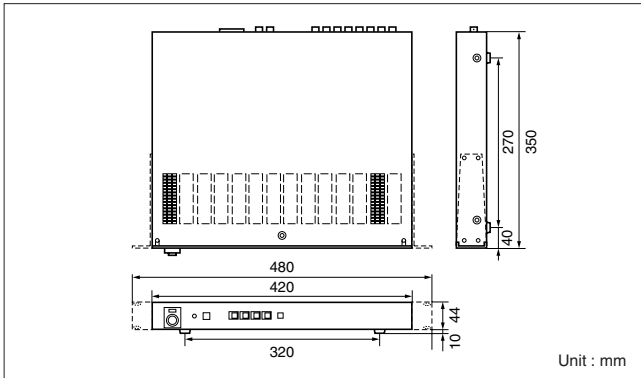


- Advanced digital processing technology allows connection of virtually any 2:1 interlace camera with the WJ-MS424.
- Great picture quality with 8 bit/14.3 MHz sampling
- Quad picture and sequential switching function
- Alphanumeric character generator permits presetting of up to 8 characters and its position.
- Quad picture border lines can be inserted
- Alarm terminals
- User-friendly on-screen set up menu

### MAJOR OPERATING CONTROLS



### DIMENSIONS



### SPECIFICATIONS

Power Source	220 - 240 V AC, 50 Hz
Frame Memory	Sampling frequency: 14.3 MHz Quantizing bit: 8 bit Pixels: 720H x 582V
Internal Synchronization	2:1 interlace Horizontal 15.625 kHz Vertical 50 Hz
Refresh Rate	1/50
Video Input	2:1 interlace, composite 1 V [p-p] / 75 Ω, Auto termination or Loop-through, black and white or colour video signal x 4 (each video signal should be synchronized vertically for vertical interval switching. Does not have to be synchronized in case vertical interval switching is not required)
Video Output	Video Output x 2, composite, 1 V [p-p] / 75 Ω, colour or black and white video signal with composite sync and burst signal
Title	Up to 8 alphanumeric characters for each window
Alarm Input	One for each 4 video inputs (Max. DC 12 V and a make-contact with the ground)
Alarm Output	One (Max. DC 24V, 100 mA and an open collector circuit)
Alarm Time	Adjustable approx. 1-30s, 1, 2, 3, 4, 5 min. or EXT
Recover Input	One (Max. DC 12V and a make-contact for ground)
Auto Reset Time	Adjustable approx. 1-30s, 1, 2, 3, 4, 5 min. or OFF
Ambient Operating Temperature	-10 °C - +50 °C
Dimensions (W x H x D)	420 x 44 x 350 mm
Weight	3.6 kg

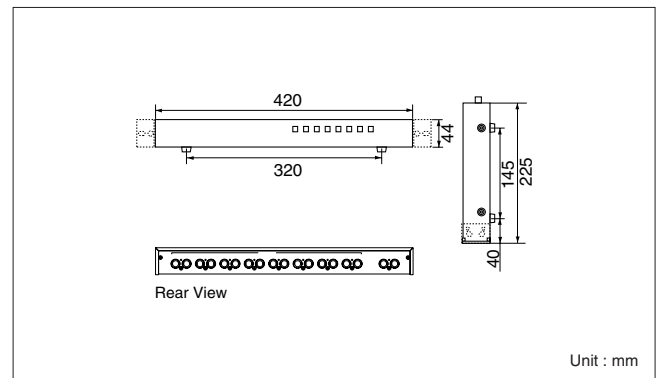
## Video Switcher WJ-SW208

8 camera inputs



- Loop-through 8-channel switcher

### DIMENSIONS



### SPECIFICATIONS

Multiplex Input	8 Inputs, BNC Connectors
Multiplex Loop-through Output	8 Outputs, BNC Connectors
Video Output	1 Output, BNC Connector
Video Return Input	1 Input, BNC Connector
Camera Selection Switch	Mechanical lock-release push type
Ambient Operating Temperature	-10 °C - +50 °C
Dimensions (W x H x D)	420 x 44 x 225 mm
Weight	2.3 kg