

Day/Night Fixed Dome Camera WV-CF284/CF294 Series

NTSC WV-CF284 (24 V AC or 12 V DC) PAL WV-CF284 (24 V AC or 12 V DC)
 WV-CF294 (24 V AC or 12 V DC) WV-CF294 (24 V AC or 12 V DC)
 WV-CF284T (24 V AC or 12 V DC)
 WV-CF294T (24 V AC or 12 V DC)



Smart look Day/Night Fixed Dome Camera with advanced features

Key Features

- High resolution: 540 TV lines
- High sensitivity with Simple Day/Night function: 0.9 lux (Color)
- ABS (Adaptive Black Stretch) enhances visibility of dark area without degrading image quality in bright area.
- ABF (Auto Back Focus) ensures easy installation (WV-CF294 Series only).
- Various adjustment features including BLC (Back-Light Compensation), ATW (Auto Tracing White Balance) and ALC (Automatic Light Control)
- 2.8 ~ 10 mm 3.6x Varifocal Auto Iris lens (WV-CF294 Series only)
- 2.8 ~ 6 mm 2x Varifocal Auto Iris lens (WV-CF284 Series only)
- Internal/Multiplexed Vertical Drive (VD2) synchronization
- Monitor output and ELC mode for easier lens adjustment upon installation
- 3-way hinge (horizontal, vertical and swivel rotation) for easy installation
- Various mounting options: Surface mount, Embedded mount (with optional WV-Q168), Mounting to a junction box (locally obtained)
- Smart look fits for various applications such as shopping mall, hotels and hospitals.

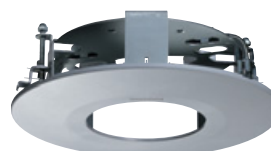
- WV-CF284T/CF294T can utilize Unshielded Twisted Pair (UTP) cable for video transmission reducing cabling cost (NTSC only).

Standard Accessories

Operating Instructions	1 pc.	Top cover fixing screw	1 pc.
------------------------------	-------	------------------------------	-------

Optional Accessories

Embedded Ceiling Mount Bracket
WV-Q168



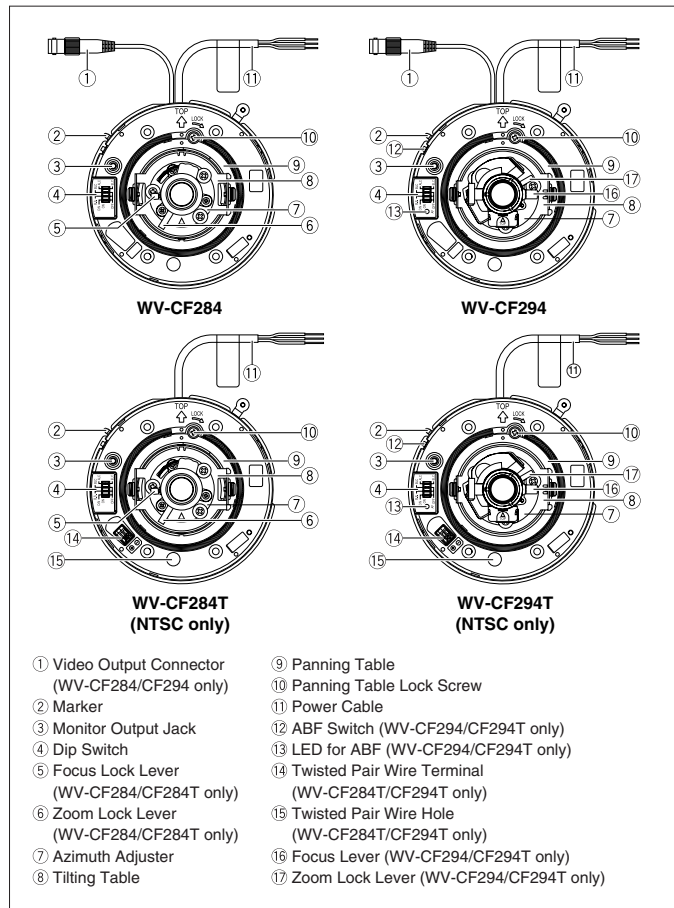
Smoke Dome Cover
WV-CF5S



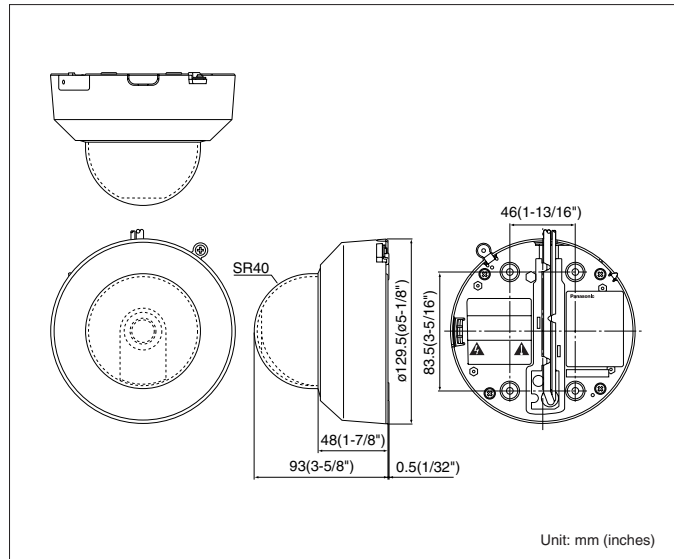
Specifications

TV System	NTSC	PAL
Camera	1/4 inch interline transfer CCD	
Image Sensor	768 (H) x 494 (V)	
Effective Pixels	768 (H) x 494 (V)	752 (H) x 582 (V)
Scanning Mode	2:1 interlace scan	
Scanning Area	3.6 (H) x 2.7 (V) mm	3.7 (H) x 2.7 (V) mm
Scanning Frequency	Horizontal: 15.734 kHz Vertical: 59.94 Hz	Horizontal: 15.625 kHz Vertical: 50 Hz
Scanning Line	525 lines	625 lines
Horizontal Resolution	540 TV lines	
Minimum Illumination	Color (30 IRE): 0.9 lux at Wide	
Signal-to-Noise Ratio	50 dB (equivalent to AGC Off, Weight On)	
White Balance	ATW	
Light Control	ALC / ELC (for lens adjustment)	
AGC	Always ON	
Adaptive Black Stretch	ON / OFF with BLC ON / OFF	
Black and White Mode	ON (Auto) / OFF (No IR filter moving)	
Back Focus Adjustment	WV-CF284/CF284T: Manual WV-CF294/CF294T: ABF	WV-CF284: Manual WV-CF294: ABF
Synchronization	Internal (INT), Multiplexed Vertical Drive (VD2)	
Lens	Focal Length	
	WV-CF284/CF284T: 2.8 ~ 6.0 mm WV-CF294/CF294T: 2.8 ~ 10 mm	WV-CF284: 2.8 ~ 6.0 mm WV-CF294: 2.8 ~ 10 mm
	Angular Field of View	
	WV-CF284/CF284T: H: 72.6° (Wide) ~ 35.6° (Tele) V: 54.0° (Wide) ~ 26.7° (Tele) WV-CF294/CF294T: H: 73.5° (Wide) ~ 20.8° (Tele) V: 54.4° (Wide) ~ 15.6° (Tele)	WV-CF284: H: 72.6° (Wide) ~ 35.6° (Tele) V: 54.0° (Wide) ~ 26.7° (Tele) WV-CF294: H: 73.5° (Wide) ~ 20.8° (Tele) V: 54.4° (Wide) ~ 15.6° (Tele)
	Maximum Aperture Ratio	
	WV-CF284/CF284T: 1:1.4 (Wide) 1:1.8 (Tele) WV-CF294/CF294T: 1:1.3 (Wide) 1:3.1 (Tele)	WV-CF284: 1:1.4 (Wide) 1:1.8 (Tele) WV-CF294: 1:1.3 (Wide) 1:3.1 (Tele)
	Focusing Range	
	1.2 m ~ ∞ (3.9 ft. ~ ∞)	
Pan and Tilt	Panning Range	
	+180° ~ -140°	
	Tilting Range	
	±75°, Image tilt adjustment range: ±100°	
Input/Output	Video Output	
	WV-CF284/CF294: 1.0 V [P-P] / NTSC composite 75 Ω / BNC Connector Multiplexed VD2 capable WV-CF284T/CF294T: 1.0 V [P-P] / NTSC composite 75 Ω / Twisted Pair Wire Connector (UTP Cable Connection)	WV-CF284/CF294: 1.0 V [P-P] / PAL composite 75 Ω / BNC Connector Multiplexed VD2 capable
	Monitor Output	
	1.0 V [p-p] / 75 Ω / NTSC composite signal / ø3.5 mm RCA jack	1.0 V [p-p] / 75 Ω / PAL composite signal / ø3.5 mm RCA jack
General	Setup Method	
	Dip Switch	
	Safety/EMC Standard	
	UL (60065), FCC (Part15 ClassA), C-UL (C22.2 No.60065:03), DOC (ICES003 ClassA)	CE (EN60065, EN55022 ClassB, EN55024), GOST (GOST R 51558)
	Power Source and Power Consumption	
	12 V DC, 220 mA 24 V AC 60 Hz, 2.7 W	12 V DC, 220 mA 24 V AC 50 Hz, 2.7 W
	Ambient Operating Temperature	
	-10 °C ~ +50 °C (14 °F ~ 122 °F)	
	Ambient Operating Humidity	
	90 % or less (without condensation)	
	Dimensions	
	ø129.5 x 93 mm (H) (ø5-1/8" x 3-5/8" (H))	
	Weight (approx.)	
	460 g (1.0 lbs.)	

Part Names and Functions



Appearance



- All TV pictures are simulated.
- Weights and dimensions are approximate.
- Specifications are subject to change without notice.
- These products may be subject to export control regulations.
- All product pictures are NTSC models.

Important

– Safety Precaution: carefully read the operating instructions and installation manual before using this product.

DISTRIBUTED BY:

Panasonic[®]

<http://panasonic.net/security/>

Printed in Japan (2A-027AL)