

RS232C/LAN command list
4K UHD LCD Displays MODEL : TH-86/75SQ1H

2022/4/1

Panasonic Connect Co.,Ltd.

TYPE	Function	Control Command		Inquiry Command			Range and kind of parameter Call-back	Explanation
		Transmission Command[:Parameter s]	Standby	Transmission Command[:Parameters]	Reply Command[:Parameters]	Standby		
Basic Control	Power ON	PON	Avail	-	-	-	-	Power ON
	Power OFF	POF	-	-	-	-	-	Power OFF
	Power Status	-	-	QPW	QPW:*	Avail	0 / 1	0 : Standby (Off) 1 : Power ON (On)
	Input Change	IMS:***	Not avail	QMI	QMI:***	Avail	HM1/HM2/DP1/DL1/DV1/SL1/NW1/UD1/MV1	HM1 : HDMI1 HM2 : HDMI2 DP1 : DisplayPort DL1 : DIGITAL LINK DV1 : DVI-D(DVI-D/SLOT select:DVI-D) SL1 : SLOT(DVI-D/SLOT select:SLOT) NW1 : Screen Transfer UD1 : USB MV1 : MEMORY VIEWER In 4 input display, Input(Upper/left) is reply. In Picture in picture, Input(Main) is reply. In Picture by picture, Input(Upper·Left) is reply.
	Digital Link Input select for YFB Series	IMS:DL1***	Not avail	QMI:DL1	QMI:DL1***	Not avail	HD1/HD2/PC1/PC2/SVD/VID (YFB100) HD1/ HD2/ PC1/ PC2 /VID (YFB200)	*YFB100/YFB200 Available when YFB100 is connected. HD1 : HDMI1 HD2 : HDMI2 PC1 : COMPUTER 1 PC2 : COMPUTER 2 SVD : S-VIDEO (* YFB100 only) VID : VIDEO
	Audio Volume	AVL:***	Not avail	-	-	-	000 - 100	Volume value
	Volume Up	AUU	Not avail	-	-	-	-	Volume Up
	Volume Down	AUD	Not avail	-	-	-	-	Volume Down
	Current Audio Volume	-	-	OAV	OAV:***	Avail	000 - 100	Volume value
	Audio Mute	AMT (.*)	Not avail	QAM	QAM: *	Avail	Control:(Toggle) 0 / 1	Toggle (Audio mute Off) / (Audio mute On)
	Video Mute	VMT (.*)	Not avail	QVM	QVM: *	Avail	Control:(Toggle) 0 / 1	Toggle (Video mute Off) / (Video mute On)
	Aspect Change	DAM (:****)	Not avail	QAS	QAS:****	Not avail	FULL / NORM / NATV / HFIT / VFIT / ZOOM / ZOM2	Toggle FULL / NORMAL / REAL / H FIT / V FIT / ZOOM1 / ZOOM2
Picture Adjustment	Picture Mode	VPC:MEN***	Not avail	QPC:MEN	QPC:MEN***	Not avail	VIV / NAT / STD / SUV / GRH / DCM	VIV : VIVID SIGNAGE NAT : NATURAL SIGNAGE STD : STANDARD SUV : SURVEILLANCE GRH : GRAPHIC DCM : DICOM
	Backlight	VPC:BLT***	Not avail	QPC:BLT	QPC:BLT***	Avail	000 ~ 100 DEF	0 ~ 100 DEF:SET SHIPPING VALUE Available when Power save is Off & Long Life mode is Off.
	Picture Contrast	VPC:PIC***	Not avail	QPC:PIC	QPC:PIC***	Avail	000 ~ 100 DEF	0 ~ 100 DEF:SET SHIPPING VALUE
	Black Level Brightness	VPC:BLK***	Not avail	QPC:BLK	QPC:BLK***	Avail	000 ~ 100 DEF	0 ~ 100 DEF:SET SHIPPING VALUE

TYPE	Function	Control Command		Inquiry Command			Range and kind of parameter Call-back	Explanation
		Transmission Command[:Parameters]	Standby	Transmission Command[:Parameters]	Reply Command[:Parameters]	Standby		
P i c t u r e A d j u s t m e n t	Color	VPC:COL***	Not avail	QPC:COL	QPC:COL***	Avail	000 ~ 100 DEF	0 ~ 100 DEF:SET SHIPPING VALUE
	Tint	VPC:TIN***	Not avail	QPC:TIN	QPC:TIN***	Not avail	000 ~ 100 DEF	0 ~ 100 DEF:SET SHIPPING VALUE
	Sharpness	VPC:SHP***	Not avail	QPC:SHP	QPC:SHP***	Avail	000 ~ 100 DEF	0 ~ 100 DEF:SET SHIPPING VALUE
	Enhance level	VPC:SHE*	Not avail	QPC:SHE	QPC:SHE*	Not avail	1 / 2	1: low 2: high
	Gamma	VWB:GMM**	Not avail	QWB:GMM	QWB:GMM**	Not avail	20 / 22 / 24 / 26	2.0 / 2.2 / 2.4 / 2.6
	Color Temperature	VPC:TMP***	Not avail	QPC:TMP	QPC:TMP***	Not avail	032 / 040 / 050 / 065 / 075 / 093 / 107 / NTV / U01 / U02	3200K ~ 10700K / NaTiVe / USER1 / USER2
	Red Gain	VWB:RGN****	Not avail	QWB:RGN	QWB:RGN****	Not avail	0000 ~ 0255	0 ~ 255 Available when Color Temperature is USER1 or USER2.
	Green Gain	VWB:GGN****	Not avail	QWB:GGN	QWB:GGN****	Not avail	0000 ~ 0255	0 ~ 255 Available when Color Temperature is USER1 or USER2.
	Blue Gain	VWB:BGN****	Not avail	QWB:BGN	QWB:BGN****	Not avail	0000 ~ 0255	0 ~ 255 Available when Color Temperature is USER1 or USER2.
	Red Bias	VWB:RBS****	Not avail	QWB:RBS	QWB:RBS****	Not avail	-127 ~ 0000 ~ 0128	-127 ~ 128 Available when Color Temperature is USER1 or USER2.
	Green Bias	VWB:GBS****	Not avail	QWB:GBS	QWB:GBS****	Not avail	-127 ~ 0000 ~ 0128	-127 ~ 128 Available when Color Temperature is USER1 or USER2.
	Blue Bias	VWB:BBS****	Not avail	QWB:BBS	QWB:BBS****	Not avail	-127 ~ 0000 ~ 0128	-127 ~ 128 Available when Color Temperature is USER1 or USER2.
	color management	VWB:CMF*	Not avail	QWB:CMF	QWB:CMF*	Not avail	0 / 1 / 2	0 : off 1 : 6-segment 2 : 12-segment
	6-segment color management select color	VWB:CML* **** **** ****	Not avail	QWB:CML*	QWB:CML* **** **** ****	Not avail	R / Y / G / C / B / M -127 ~ 0000 ~ 0127 -127 ~ 0000 ~ 0127 -127 ~ 0000 ~ 0127	Red / Yellow / Green / Cyan / Blue / Magenta TINT : -127 ~ 127 SATURATION : -127 ~ 127 VALUE : -127 ~ 127 Available when color management is 6-segment.
	6-segment color management reset	VWB:CMR	Not avail	-	-	Not avail	-	Available when color management is 6-segment.
	12-segment color management select color	VWB:CWL** **** **** ****	Not avail	QWB:CWL**	QWB:CWL** **** **** ****	Not avail	RR/RV/YY/YG/GG/GC/CC/CB/BB/BM/MM/MR -127 ~ 0000 ~ 0127 -127 ~ 0000 ~ 0127 -127 ~ 0000 ~ 0127	Red / Red-Yellow / Yellow / Yellow-Green / Green / Green-Cyan / Cyan / Cyan-Blue / Blue / Blue-Magenta / Magenta / Magenta-Red TINT : -127 ~ 127 SATURATION : -127 ~ 127 VALUE : -127 ~ 127
	12-segment color management reset	VWB:CWR	Not avail	-	-	-	-	Available when color management is 12-segment.
	Dynamic Contrast	VPC:DCO**	Not avail	QPC:DCO	QPC:DCO**	Not avail	00 ~ 10	0 ~ 10
	Color Enhancement	VPC:PAJ*	Not avail	QPC:PAJ	QPC:PAJ*	Not avail	0 / 1	OFF / ON
	Blue light reduction	VPC:BLR	Not avail	QPC:BLR	QPC:BLR	Not avail	0 / 1 / 2 / 3	OFF / Low / Mid / High
	Refine enhancer	VPC:SRC*	Not avail	QPC:SRC	QPC:SRC*	Not avail	0 / 1 / 2 / 3	OFF / Low / Mid / High
Gradation smoother	VPC:GRS*	Not avail	QPC:GRS	QPC:GRS*	Not avail	0 / 1	0 : off / 1 : on	
Default	VPC:DEF*	Not avail	-	-	-	1 / 2 / 3	Mode1 / Mode2 / Mode3 Mode1 : Default video input value for current input and current picture mode. Mode2 : Default video input value for current input and all picture mode. Mode3 : Default video input value for all input and all picture mode.	
Memory function	Memory delete	VPF:DEL**	Not avail	-	-	-	01 ~ 06	Memory No.1 - Memory No.6
	Memory load	VPF:LOD**	Not avail	-	-	-	01 ~ 06	Memory No.1 - Memory No.6

TYPE	Function	Control Command		Inquiry Command			Range and kind of parameter Call-back	Explanation	
		Transmission Command[:Parameters]	Standby	Transmission Command[:Parameters]	Reply Command[:Parameters]	Standby			
P i c t u r e	Memory function	Memory name change	VPF:NAM** *...*	Not avail	QPF:NAM**	QPF:NAM** *...*	Not avail	01 ~ 06 space ! " # \$ % & ' () * + , - . / 0 1 2 3 4 5 6 7 8 9 : ; < = > ? @ A B C D E F G H I J K L M N O P Q R S T U V W X Y Z [\] ^ _ ` a b c d e f g h i j k l m n o p q r s t u v w x y z { } ~	Memory No.1 - Memory No.6 Memory name(Max 20 Parameters)
		Memory save	VPF:SAV** *...*	Not avail	-	-	-	01 ~ 06 space ! " # \$ % & ' () * + , - . / 0 1 2 3 4 5 6 7 8 9 : ; < = > ? @ A B C D E F G H I J K L M N O P Q R S T U V W X Y Z [\] ^ _ ` a b c d e f g h i j k l m n o p q r s t u v w x y z { } ~	Memory No.1 - Memory No.6 Memory name(Max 20 Parameters)
	Memory state	-	-	QPF:STA	QPF:STA*****	Not avail	- / 0 (Memory No.1 - No.06)	Unused / Use	
S o u n d	Sound Adjustment	Output Select	AAC:OUT***	Not avail	QAC:OUT	QAC:OUT***	Not avail	SPO / EXS / LNO	INTERNAL SPEAKERS / EXTERNAL SPEAKERS / AUDIO
		Balance	AAC:BAL***	Not avail	QAC:BAL	QAC:BAL***	Not avail	-20 ~ 000 ~ +20(020)	-20 ~ 20 Available when Output Select is Not AUDIO OUT.
		Sound Mode	AAC:MEN***	Not avail	QAC:MEN	QAC:MEN***	Not avail	STD(AUT) / DYN / CLR	STANDARD / DYNAMIC / CLEAR Available when Output Select is Not AUDIO OUT.
		Bass	AAC:BAS***	Not avail	QAC:BAS	QAC:BAS***	Not avail	-20 ~ 000 ~ +20(020)	-20 ~ 20 Available when Output Select is Not AUDIO OUT.
		Treble	AAC:TRE***	Not avail	QAC:TRE	QAC:TRE***	Not avail	-20 ~ 000 ~ +20(020)	-20 ~ 20 Available when Output Select is Not AUDIO OUT.
		Surround	AAC:SUR***	Not avail	QAC:SUR	QAC:SUR***	Not avail	MON / OFF	ON / OFF Available when Output Select is Not AUDIO OUT.
		Auto Volume	AAC:ATV***	Not avail	QAC:ATV	QAC:ATV***	Not avail	OFF / LOW / MID / HIG	Off / Low / Middle / High
		Installation	AAC:IST***	Not avail	QAC:IST	QAC:IST***	Not avail	STD / WMT	Stand / Wall mounted
P o s i t i o n	Position/Size Adjustment	Horizontal Position	DGE:HPO****	Not avail	OGE:HPO	OGE:HPO****	Not avail	-100 ~ 0000 ~ +100(0100)	H-Pos : -100 - 0000 - +100(0100)
		Horizontal Size	DGE:HSZ****	Not avail	OGE:HSZ	OGE:HSZ****	Not avail	-100 ~ 0000 ~ +100(0100)	H-Size : -100 - 0000 - +100(0100)
		Vertical Position	DGE:VPO****	Not avail	OGE:VPO	OGE:VPO****	Not avail	-100 ~ 0000 ~ +100(0100)	V-Pos : -100 - 0000 - +100(0100)
		Vertical Size	DGE:VSZ****	Not avail	OGE:VSZ	OGE:VSZ****	Not avail	-100 ~ 0000 ~ +100(0100)	V-Size : -100 - 0000 - +100(0100)
		Overscan	DGE:OVS*	Not avail	OGE:OVS	OGE:OVS*	Not avail	0 / 1	OFF / ON
		Pos./Size Lump Setting	DGE:PSZ**** **** **** ****	Not avail	QGE:PSZ	QGE:PSZ**** **** **** ****	Not avail	-100 ~ 0000 ~ +100(0100), -100 ~ 0000 ~ +100(0100), -100 ~ 0000 ~ +100(0100), -100 ~ 0000 ~ +100(0100)	H-Pos : -100 - 0000 - +100(0100) H-Size : -100 - 0000 - +100(0100) V-Pos : -100 - 0000 - +100(0100) V-Size : -100 - 0000 - +100(0100)
S e t u p	Setup	Input lock	OSP:INL***	Not avail	QSP:INL	QSP:INL***	Not avail	OFF/HM1/HM2/DP1/DL1/DV1/SL1/NW1/UD1/MV1 /MUI	OFF / HDMI1 / HDMI2 / DisplayPort / DIGITAL LINK / DVI-D / SLOT / Screen Transfer / USB / MEMORY VIEWER / Multi input
		Off-timer function	OSP:OFT*	Not avail	QSP:OFT	QSP:OFT*	Not avail	0 / 1	OFF / ON
		No activity power off	SSU:NAO*	Not avail	QSU:NAO	QSU:NAO*	Not avail	0 / 1	OFF / ON
		OSD Language	SSU:LNG***	Not avail	QSU:LNG	QSU:LNG***	Not avail	ENG / DEU / FRA / ITL(ITA) / ESP / USA / CHA / JPN / RUS	English (UK) / German / French / Italian / Spanish / English (US) / Chinese/Japanese /Russian
		Display Orientation	SSU:DOR*	Not avail	QSU:DOR	QSU:DOR*	Not avail	0 / 1 / 2	Landscape / Portrait / Auto
		Display Orientation(Actual orientation)	-	-	QSU:DOV	QSU:DOV*	Not avail	0 / 1	Landscape / Portrait
		Image rotation	SSU:IMR*	Not avail	QSU:IMR	QSU:IMR*	Not avail	0 / 1	Off / 180 degrees
		Maximum VOL level	OSP:MVL****	Not avail	QSP:MVL	QSP:MVL****	Not avail	0 / 1, 000 ~ 100	function : OFF / ON, volume : 0~100
		Button lock	OSP:BTL***	Not avail	QSP:BTL	QSP:BTL***	Not avail	OFF / MEN / ALL	OFF / MENU&ENTER / ON
		POWER button lock	SSU:PBO***	Not avail	QSU:PBO	QSU:PBO***	Not avail	OFF / STB	OFF / Standby
		POWER LED	SSU:PLS*	Not avail	QSU:PLS	QSU:PLS*	Not avail	0 / 1	OFF / ON
		Controller User level	OSP:RCM*	Not avail	QSP:RCM	QSP:RCM*	Not avail	0 / 1 / 2 / 3	OFF / User1 / User2 / User3
		DVI-D/SLOT select	SSU:IDS***	Not avail	QSU:IDS	QSU:IDS***	Not avail	DV1/SL1	DV1 : DVI-D SL1 : SLOT When the parameter of each setting is DVI-D or SLOT, inputs not selected by DVI-D / SLOT select can be set for each setting but will not operate.
Use memory select	SSU:SWM***	Not avail	QSU:SWM	QSU:SWM***	Not avail	USB / INT	USB memory / Built-in memory		
USB select	SSU:SWU***	Not avail	QSU:SWU	QSU:SWU***	Not avail	MP1/MP2	MP1 : USBPort MP1 MP2 : USBPort MP2		

TYPE	Function	Control Command		Inquiry Command			Range and kind of parameter Call-back	Explanation
		Transmission Command[:Parameter s]	Standby	Transmission Command[:Parame ters]	Reply Command[:Parameters]	Standby		
Setup	Quick input change mode	SSU:FIC*	Not avail	QSU:FIC	QSU:FIC*	Not avail	0 / 1	0 : OFF 1 : ON
	Multi Screen ON/OFF	MDC:*	Not avail	-	-	-	0 / 1	OFF / ON
	Multi Input ON/OFF	MDC:MID*	Not avail	QDC:MID	QDC:MID*	Not avail	0 / 1	OFF / ON Not available control command when input lock is Multi input.
	Display Type settings	MDC:MDY*	Not avail	QDC:MDY	QDC:MDY*	Not avail	0 / 1	0 : Multi Screen 1 : Multi Input
	Display Format	MDC:SDF*	Not avail	QDC:SDF	QDC:SDF*	Not avail	0 / 1 / 2	0 : 4 input display 1 : Picture in picture 2 : Picture by picture
	Multi Screen Setup Detail	MDC:EXP* ** ** *** *** ***	Not avail	QDC:EXP	QDC:EXP* ** ** *** *** ***	Not avail	0 / 1, 01 ~ 10, 01 ~ 10, 000 ~ 100, 000 ~ 100, 001 ~ 100	OFF / ON, Horizontal scale 1~10, Vertical scale 1~10, Bezel H adjustment 0~100, Bezel V adjustment 0~100, Location (A1~J10)
	4 input display Setup Detail	MDC:4IN* *** *** *** *** ***	Not avail	QDC:4IN	QDC:4IN* *** *** *** *** ***	Not avail	0 / 1 HM1/HM2/DP1/DV1/SL1 HM1/HM2/DP1/DV1/SL1 HM1/HM2/DP1/DV1/SL1 HM1/HM2/DP1/DV1/SL1 OFF / UPL / UPR / LOL / LOR / AI1	OFF / ON Input(Upper/left) : HDMI1 / HDMI2 / DisplayPort / DVI-D / SLOT Input(Upper/right) : HDMI1 / HDMI2 / DisplayPort / DVI-D / SLOT Input(Lower/left) : HDMI1 / HDMI2 / DisplayPort / DVI-D / SLOT Input(Lower/right) : HDMI1 / HDMI2 / DisplayPort / DVI-D / SLOT Sound output : OFF / Upper/Left / Upper/Right / Lower/Left / Lower/Right / AUDIO-IN Not available control command when input lock is Multi input.
	Picture in picture Setup Detail	MDC:PIP* * *** *** ***	Not avail	QDC:PIP	QDC:PIP* * *** *** ***	Not avail	0 / 1 0 / 1 / 2 / 3 HM1/HM2/DP1/DV1/SL1 HM1/HM2/DP1/DV1/SL1 OFF / MAN / SUB / AI1	OFF / ON Sub picture location : Upper/Left / Upper/Right / Lower/Left / Lower/Right Input(Main) : HDMI1 / HDMI2 / DisplayPort / DVI-D / SLOT Input(Sub) : HDMI1 / HDMI2 / DisplayPort / DVI-D / SLOT Sound output : OFF / Main / Sub / AUDIO-IN Not available control command when input lock is Multi input.

TYPE	Function	Control Command		Inquiry Command			Range and kind of parameter Call-back	Explanation
		Transmission Command[:Parameters]	Standby	Transmission Command[:Parameters]	Reply Command[:Parameters]	Standby		
S e t u p	Multi display settings	Picture by picture Setup Detail	MDC:PBP* * *** *** ***	Not avail	QDC:PBP	QDC:PBP* * *** *** ***	Not avail	0 / 1 0 / 1 HM1/HM2/DP1/DV1/SL1 HM1/HM2/DP1/DV1/SL1 OFF / IN1 / IN2 / AI1 OFF / ON Picture location : Upper/Lower / Left/Right Input(Upper) / Input(Left) : HDMI1 / HDMI2 / DisplayPort / DVI-D / SLOT Input(Lower) / Input(Right) : HDMI1 / HDMI2 / DisplayPort / DVI-D / SLOT Sound output : OFF / Upper(/Left) / Lower(/Right) / AUDIO-IN Not available control command when input lock is Multi input.
		Multi input display position change	MDC:SDP*	Not avail	QDC:SDP	QDC:SDP*	Not avail	0~3 picture in picture 0 : Upper/Left 1 : Upper/Right 2 : Lower/Left 3 : Lower/Right Picture by picture 0 : Upper(Left) 1 : Lower(Right) 2~3 : Unsupported
		Multi input display Input change	MDC:MIM+ + ***	Not avail	QDC:MIM+	QDC:MIM+ + ***	Not avail	1~4 HM1 / HM2 / DP1 / DV1 / SL1 / PC1 4 input display 1 : Input(Upper/left) 2 : Input(Upper/right) 3 : Input(Lower/left) 4 : Input(Lower/right) Picture in picture 1 : Input(Main) 2 : Input(Sub) 3~4 : Unsupported Picture by picture 1 : Input(Upper) / Input(Left) 2 : Input(Lower) / Input(Right) 3~4 : Unsupported HDMI1 / HDMI2 / Display Port / DVI / SLOT

TYPE	Function	Control Command		Inquiry Command			Range and kind of parameter Call-back	Explanation		
		Transmission Command[:Parameter s]	Standby	Transmission Command[:Parameters]	Reply Command[:Parameters]	Standby				
S e t u p	Multi display settings	Multi input Audio out change	MDC:MAO*	Not avail	QDC:MAO	QDC:MAO*	Not avail	0~6	4 input display 0:OFF 1:Upper/left 2:Upper/right 3:Lower/left 4:Lower/right 5:AUDIO-IN 6:Unsupported Picture in picture 0 : OFF 1 : Main 2 : Sub 3 : AUDIO-IN 4~6 : Unsupported Picture by picture 0 : OFF 1 : Input(Upper) / Input(Left) 2 : Input(Lower) / Input(Right) 3 : AUDIO-IN 4~6 : Unsupported	
		Multi Input Display Expansion	MDC:MTS*	Not avail	-	-	Not avail	1 / 2 / 3 / 4	Screen type : 4 input display 1 : Input(upper/left) 2 : Input(upper/right) 3 : Input(lower/left) 4 : Input(lower/right) Screen type : Picture in picture 1 : Input(main) 2 : Input(sub) 3 : Swap Input(main) and Input(Sub) 4 : Unsupported Screen type : Picture by picture 1 : Input(Upper) / Input(Left) 2 : Input(Lower) / Input(Right) 3 : Swap Input(Upper / Left) and Input(Lower / Right) 4 : Unsupported	
		Frame control	MDC:FCT*	Not avail	QDC:FCT	QDC:FCT*	Not avail	0 / 1 / 2 / 3 / 4	Auto / 1 / 2 / 3 / 4	
	Portrait settings		Portrait display	DPR:*	Not avail	QPR	QPR:*	Not avail	0 / 1	OFF / ON
			Inquiry about Portrait display setup	-	-	QPR:DET	QPR:DET**	Not avail	0 / 1, 01 / 03 / L3	OFF / ON, Portrait 1 screen / Portrait 3 screens / Landscape 3 screens
		Portrait display setup (Instration method: Portrait 1 screen)	DPR:D01*	Not avail	QPR:D01	QPR:D01*	Not avail	0 / 1	OFF / ON	
	Portrait display setup (Instration method: Portrait 3 screens)	DPR:D03* * *** **	Not avail	QPR:D03	QPR:D03* * *** **	Not avail	0 / 1, 1 / 2 / 3, 000 ~ 100, 01 ~ 03	OFF / ON, Display format 1=16:9 V fit / 2=16:9 H fit / 3=Full Bezel adjustment 0~100, Location 01=Left / 02=Centre / 03=Right		

TYPE	Function	Control Command		Inquiry Command			Range and kind of parameter Call-back	Explanation	
		Transmission Command[:Parameters]	Standby	Transmission Command[:Parameters]	Reply Command[:Parameters]	Standby			
S e t u p	Portrait settings	DPR:DL3* * *** **	Not avail	QPR:DL3	QPR:DL3* * *** **	Not avail	0 / 1, 1 / 2 / 3, 000 ~ 100, 01 ~ 03	OFF / ON, Display format 1=16:9 V fit / 2=16:9 H fit / 3=Full Bezel adjustment 0~100, Location 01=Upper / 02=Centre / 03=Lower	
		Cinema Reality 3:2 Pull Down	SSG:DCR*	Not avail	QSG:DCR	QSG:DCR*	Not avail	0 / 1	OFF / ON
		Noise Reduction	SSG:NRS***	Not avail	QSG:NRS	QSG:NRS***	Not avail	OFF / AUT / LOW / MID / HIG	OFF / Auto / Low / Middle / High
		MPEG Noise Reduction	SSG:MNR***	Not avail	QSG:MNR	QSG:MNR***	Not avail	OFF / LOW / MID / HIG	OFF / Low / Middle / High
		Signal Range	SSG:HRC***	Not avail	QSG:HRC	QSG:HRC***	Not avail	VID / FUL / AUT	(HDMI input) Video / FULL / Auto (DVI-D input) Video / FULL / Auto (Other input) not avail
		YUV/RGB-IN Select	SSU:DYR***	Not avail	QSU:DYR	QSU:DYR***	Not avail	YUV / RGB / AUT	YUV Signal / RGB Signal / Auto Available when HDMI1/HDMI2/DisplayPort/DIGITAL LINK/DVI-D/SLOT is selected. Auto is Not available when DIGITAL LINK is selected.
		FRAME CREATION (86SQ1H only)	VPC:FRC*	Not avail	QPC:FRC	QPC:FRC*	Not avail	0 / 1	OFF / ON
		Dynamic backlight control	SSG:DBC*	Not avail	QSG:DBC	QSG:DBC*	Not avail	0 / 1	OFF / ON
		EDID select	SSG:EID*	Not avail	QSG:EID	QSG:EID*	Not avail	0 / 1 / 2 / 3	0 : 4K/60p/SDR 1 : 4K/30p 2 : 2K 3 : 4K/60p/HDR
		Dynamic range	SSG:DNR*	Not avail	QSG:DNR	QSG:DNR*	Not avail	0 / 1 / 2 / 3	0 : Auto 1 : HDR(PQ) 2 : HDR(HLG) 3 : SDR
		Colour gamut	SSG:CLG*	Not avail	QSG:CLG	QSG:CLG*	Not avail	0 / 1 / 2	0 : Auto 1 : Native 2 : ITU-2020 emu.
		Initial input	OSP:IIN***	Not avail	QSP:IIN	QSP:IIN***	Not avail	OFF /HM1/HM2/DP1/DL1/DV1/SL1/NW1/UD1/MV1/MU I	OFF / HDMI1 / HDMI2 / DisplayPort / DIGITAL LINK / DVI-D / SLOT / Screen Transfer / USB / MEMORY VIEWER / Multi input
		Initial Startup	OSP:ISU***	Not avail	QSP:ISU	QSP:ISU***	Not avail	LST PON STB	LST : Last memory(return to a front state) PON : ON STB : STANDBY
		Initial VOL level	OSP:IVL****	Not avail	QSP:IVL	QSP:IVL****	Not avail	0 / 1, 000 ~ 100	function : OFF / ON, volume : 0~100
		Power ON Screen Delay	OSP:POD**	Not avail	QSP:POD	QSP:POD**	Not avail	AT / 00 ~ 30	AT : Auto 0~30 : 0~30 seconds
	Information(No activity power off)	OSP:NAP*	Not avail	QSP:NAP	QSP:NAP*	Not avail	0 / 1	OFF / ON	
	Information(Power management)	OSP:PMM*	Not avail	QSP:PMM	QSP:PMM*	Not avail	0 / 1	OFF / ON	
	Information(Display upside-down)	OSP:DUD*	Not avail	QSP:DUD	QSP:DUD*	Not avail	0 / 1	OFF / ON	
	Quick start	SSU:QST*	Not avail	QSU:QST	QSU:QST	Not avail	0 / 1	OFF / ON	
Input search	Input search	ISH:FNC***	Not avail	QSH:FNC	QSH:FNC***	Not avail	OFF / ALL / PRI / IDC	OFF / ALL inputs / Custom / Input detection	
	1st search input	ISH:PRI***	Not avail	QSH:PRI	QSH:PRI***	Not avail	NON /HM1/HM2/DP1/DL1/DV1/SL1/UD1	NONE / HDMI1 / HDMI2 / DisplayPort / DIGITAL LINK / DVI-D / SLOT / USB	

TYPE	Function	Control Command		Inquiry Command			Range and kind of parameter Call-back	Explanation	
		Transmission Command[:Parameters]	Standby	Transmission Command[:Parameters]	Reply Command[:Parameters]	Standby			
S e t u p	Input Search	2nd search input	ISH:SCI***	Not avail	QSH:SCI	QSH:SCI***	Not avail	NON /HM1/HM2/DP1/DL1/DV1/SL1/UD1	NONE / HDMI1 / HDMI2 / DisplayPort / DIGITAL LINK / DVI-D / SLOT / USB
		Detect digital input	ISH:DIN*** +	Not avail	QSH:DIN***	QSH:DIN***+	Not avail	***:HM1/HM2/DP1/DL1/DV1 +:0 / 1	HDMI1 / HDMI2 / DisplayPort / DIGITAL LINK / DVI-D OFF / ON
		Changing delay	ISH:CGD**	Not avail	QSH:CGD	QSH:CGD**	Not avail	00 / 01 / 02 / 03 / 04 / 05 / 06 / 07 / 08 / 09 / 10	00 : OFF 01~10 : changing time(sec)
	Failover / Failback	Input Change Mode Off	SBI:OFF (NON NON *)	Not avail	QBI	QBI:OFF NON NON *	Not avail	0	0: Disable (Auto switch back mode)
		Input Change Mode Quick	SBI:QIC (*** *** *)	Not avail	QBI	QBI:QIC *** *** *	Not avail	NON / HM1/HM2/DP1/DV1/SL1 NON / HM1/HM2/DP1/DV1/SL1 0 / 1	Primary backup input : (None) / HDMI1 / HDMI2 / DisplayPort / DVI-D / SLOT Secondary backup input : (None) / HDMI1 / HDMI2 / DisplayPort / DVI-D / SLOT Auto switch back mode : 0: Disable / 1 : Enable
		Input Change Mode Normal	SBI:NOR (*** *** *)	Not avail	QBI	QBI:NOR *** *** *	Not avail	NON /HM1/HM2/DP1/DL1/DV1/SL1/UD1 NON /HM1/HM2/DP1/DL1/DV1/SL1/UD1 0 / 1	Primary backup input : (None) / HDMI1 / HDMI2 / DisplayPort / DIGITAL LINK / DVI-D / SLOT / USB Secondary backup input : (None) / HDMI1 / HDMI2 / DisplayPort / DIGITAL LINK / DVI-D / SLOT / USB Auto switch back mode : 0: Disable / 1 : Enable
		Changing mode	SBI:CHM*	Not avail	QBI:CHM	QBI:CHM*	Not avail	2 / 1	High speed / Normal speed When [Quick] is selected, [Changing mode] can be adjusted.
		Backup Input Status	-	-	QBI:STS	QBI:STS * *** *	Not avail	0 / 1 NON /HM1/HM2/DP1/DL1/DV1/SL1/UD1 0 / 1 / 2	0: inactive / 1: active (Status) Main Input : HDMI1 / HDMI2 / DisplayPort / DIGITAL LINK / DVI-D / SLOT / USB 0: Main Input / 1: Primary Backup input / 2: Secondary Backup input (Current Input Status)
		Backup Input Signal Status	-	-	QBI:SIG	QBI:SIG * * *	Not avail	0 / 1 0 / 1 0 / 1	0 : no signal / 1 : not no signal (Main input) 0 : no signal / 1 : not no signal (Primary backup input) 0 : no signal / 1 : not no signal (Secondary backup input) When Input change mode is not Off
		Manual Switch Back	BIP:FSB	Not avail	-	-	Not avail	-	Enable when Input change mode is not Off and Auto switch back mode is Disable.
	Screensaver	Screensaver ON/OFF	OSP:SCR*	Not avail	QSP:SCR	QSP:SCR*	Not avail	0 / 5	0 : stop 5 : operating
		Screensaver Mode	SSC:MOD*	Not avail	QSC:MOD	QSC:MOD*	Not avail	0 / 1 / 2 / 3 / 4	0:OFF 1:Interval 2:Time Designation 3:ON 4:Standby after Screensaver
		Interval Screensaver	SSC:INT**** ****	Not avail	QSC:INT	QSC:INT**** ****	Not avail	0000 ~ 2359, 0000 ~ 2359	Periodic time Operating time
		Time Designation Screensaver	SSC:TIM**** ****	Not avail	QSC:TIM	QSC:TIM**** ****	Not avail	0000 ~ 2359, 0000 ~ 2359	Start time Finish time
		Standby after Screensaver	SSC:AOF****	Not avail	QSC:AOF	QSC:AOF****	Not avail	0000 ~ 2359	Time of operation(hour:minute)

TYPE	Function	Control Command		Inquiry Command			Range and kind of parameter Call-back	Explanation	
		Transmission Command[:Parameters]	Standby	Transmission Command[:Parameters]	Reply Command[:Parameters]	Standby			
S e t u p	Screen saver	Wobbling	OSP:WOB*	Not avail	QSP:WOB	QSP:WOB*	Not avail	0 / 1	OFF / ON
	Input label	Set Label for Current Input	SSU:ILA***	Not avail	QSU:ILA	QSU:ILA***	Not avail	INP / DV1 / DV2 / DV3 / BD1 / BD2 / BD3 / CTV / VCR / STB / SKP	reset input name(Except PC) / DVD1 / DVD2 / DVD3 / Blu-ray1 / Blu-ray2 / Blu-ray3 / CATV / VCR / STB / (Skip)
		Set Label for EACH INPUT	SSU:ILA++++**	Not avail	QSU:ILA+++	QSU:ILA+++ ***	Not avail	+++ : HM1/HM2/DP1/DL1/DV1/SL1 *** : INP / PCN / DV1 / DV2 / DV3 / BD1 / BD2 / BD3 / CTV / VCR / STB / SKP	Input HDMI1 / HDMI2 / DisplayPort / DIGITAL LINK / DVI-D / SLOT Not SLOT : Label reset(input other than PC) / Label reset(PC input) DVD1 / DVD2 / DVD3 / Blu-ray1 / Blu-ray2 / Blu-ray3 / CATV / VCR / STB / Skip SLOT : Label reset(INP) / Skip(SKP)
	Audio input select	for Current Input	SAI:A+++	Not avail	QAI	QAI:V*** A+++	Not avail	*** HM1/HM2/DP1/DL1/DV1/SL1/NW1 +++ HM1/HM2/DP1/DL1/SL1/NW1/AI1/NAD	HDMI1 / HDMI2 / DisplayPort / DIGITAL LINK / DVI-D / SLOT / Screen Transfer HDMI1 / HDMI2 / DisplayPort / DIGITAL LINK / SLOT / Screen Transfer / AUDIO-IN / NO AUDIO
		for EACH INPUT	SAI:V*** A+++	Not avail	QAI:V***	QAI:V*** A+++	Not avail	*** HM1/HM2/DP1/DL1/DV1/SL1/NW1 +++ HM1/HM2/DP1/DL1/SL1/NW1/AI1/NAD	HDMI1 / HDMI2 / DisplayPort / DIGITAL LINK / DVI-D / SLOT / Screen Transfer HDMI1 / HDMI2 / DisplayPort / DIGITAL LINK / SLOT / Screen Transfer / AUDIO-IN / NO AUDIO
	Power management settings	Power Management Mode	SSU:ECS*	Not avail	OSU:ECS	OSU:ECS*	Not avail	0 / 1 / 2	CUSTOM / ON / Input detection
		No Signal Power Off	SSU:AOF*	Not avail	OSU:AOF	OSU:AOF*	Not avail	0 / 1	OFF / ON
		HDMI1 Power Management	SSU:D1H*	Not avail	OSU:D1H	OSU:D1H*	Not avail	0 / 1	OFF / ON
		HDMI2 Power Management	SSU:D2H*	Not avail	OSU:D2H	OSU:D2H*	Not avail	0 / 1	OFF / ON
		DisplayPort Power Management	SSU:D1P*	Not avail	OSU:D1P	OSU:D1P*	Not avail	0 / 1	OFF / ON
		DIGITAL LINK Power Management	SSU:D1L*	Not avail	OSU:D1L	OSU:D1L*	Not avail	0 / 1	OFF / ON
		DVI-D Power Management	SSU:D1V*	Not avail	OSU:D1V	OSU:D1V*	Not avail	0 / 1	OFF / ON
		Power Save	SSU:ECO*	Not avail	OSU:ECO	OSU:ECO*	Not avail	0 / 1	OFF / ON
		Extended standby mode	SSU:ESM*	Not avail	OSU:ESM	OSU:ESM*	Not avail	0 / 1	OFF / ON
	Changing delay	SSU:CGD**	Not avail	OSU:CGD	OSU:CGD**	Not avail	00 / 01 / 02 / 03 / 04 / 05 / 06 / 07 / 08 / 09 / 10	00 : OFF 01~10 : 切替時間(秒)	
	External device link	Device Information	SSU:DDP*	Not avail	OSU:DDP	OSU:DDP*	Not avail	0 / 1	OFF / ON
		Wireless presentation link	SSU:WIS*	Not avail	OSU:WIS	OSU:WIS*	Not avail	0 / 1	OFF / ON
	HDMI-CEC settings	HDMI-CEC control	SHC:FNC*	Not avail	QHC:FNC	QHC:FNC*	Not avail	0 / 1	Disable / Enable
		HDMI1 (change device)	SHC:HM1***	Not avail	-	-	-	NXT / PRE	Change to next device / Change to previous device
		HDMI1 (get device name)	-	-	QHC:HM1	QHC:HM1*...*	Not avail	space ! " # \$ % & ' () * + , - . / 0 1 2 3 4 5 6 7 8 9 : ; < = > ? @ A B C D E F G H I J K L M N O P Q R S T U V W X Y Z [\] ^ _ ` a b c d e f g h i j k l m n o p q r s t u v w x y z { } -	Device name (Max 23 Parameters)
HDMI2 (change device)		SHC:HM2***	Not avail	-	-	-	NXT / PRE	Change to next device / Change to previous device	
HDMI2 (get device name)		-	-	QHC:HM2	QHC:HM2*...*	Not avail	space ! " # \$ % & ' () * + , - . / 0 1 2 3 4 5 6 7 8 9 : ; < = > ? @ A B C D E F G H I J K L M N O P Q R S T U V W X Y Z [\] ^ _ ` a b c d e f g h i j k l m n o p q r s t u v w x y z { } -	Device name (Max 23 Parameters)	
SLOT (change device)		SHC:SL1***	Not avail	-	-	-	NXT / PRE	Change to next device / Change to previous device	

TYPE	Function	Control Command		Inquiry Command			Range and kind of parameter Call-back	Explanation	
		Transmission Command[:Parameters]	Standby	Transmission Command[:Parameters]	Reply Command[:Parameters]	Standby			
S e t u p	HDMI-CEC settings	SLOT (get device name)	-	-	QHC:SL1	QHC:SL1*...*	Not avail	space ! " # \$ % & ' () * + , - . / 0 1 2 3 4 5 6 7 8 9 : ; < = > ? @ A B C D E F G H I J K L M N O P Q R S T U V W X Y Z [\] ^ _ ` a b c d e f g h i j k l m n o p q r s t u v w x y z { } -	Device name (Max 23 Parameters)
		MENU code	SHC:MNC*	Not avail	OHC:MNC	OHC:MNC*	Not avail	1 / 2 / 3 / 4 / 5 / 6	1 / 2 / 3 / 4 / 5 / 6
		Display → Device	SHC:PTS***	Not avail	OHC:PTS	OHC:PTS***	Not avail	OFF / POF / PWR	"Disable" / "Power off" / "Power on / off"
		Device → Display	SHC:STP***	Not avail	OHC:STP	OHC:STP***	Not avail	OFF / PON / PWR	"Disable" / "Power on" / "Power on / off"
	Image settings Startup image settings	Display setting	SCI:SIM*	Not avail	OCI:SIM	OCI:SIM*	Not avail	0 / 1	OFF / ON
		Image select	SCI:SCG*	Not avail	QCI:SCG	QCI:SCG*	Not avail	0 / 1	0 : Default image 1 : User image
	Image settings No signal image settings	Display setting	SCI:NIM*	Not avail	QCI:NIM	QCI:NIM*	Not avail	0 / 1	OFF / ON
		Image select	SCI:NCG*	Not avail	QCI:NCG	QCI:NCG*	Not avail	0 / 1	0 : Default image 1 : User image
	Set up timer	Timer Setup Detail	TIM:PRG** * *** *** **** ***	Not avail	QIM:PRG**	QIM:PRG** * *** *** **** ***	Not avail	01 ~ 20, 0 / 1, SUN / MON / TUE / WED / THU / FRI / SAT / EVD / WDA / WEN / CUS, PON / POF, 0000 ~ 2359, HM1/HM2/DP1/DL1/DV1/SL1/NW1/UD1/MV1/MUI	Program number : 1~20, Function : OFF / ON, (*Inquiry Command reply, A lower parameter is not given when the upper setup is "OFF.") a day of the week : Sunday / Monday / Tuesday / Wednesday / Thursday / Friday / Saturday / Everyday / Weekday / Weekend / Custom (*Custom can't be set with Control Command. However, after setting, the day on the menu is "Custom".) (*The day of the inquiry response is "Custom" only if it doesn't apply to any of Monday through Weekend.) Action type : PON / POF, Time : hour, minute, Start-up input : HDMI1 / HDMI2 / DisplayPort / DIGITAL LINK / DVI-D / SLOT / Screen Transfer / USB / MEMORY VIEWER / Multi input
		Multiple day specification	TIM:PRC** * * * * * * * * * * *** **** ***	Not avail	QIM:PRC**	QIM:PRC** * * * * * * * * * * *** **** ***	Not avail	01 ~ 20, 0 / 1, 0 / 1, 0 / 1, 0 / 1, 0 / 1, 0 / 1, 0 / 1, 0 / 1, 0 / 1, 0 / 1, 0 / 1, PON / POF, 0000 ~ 2359, HM1/HM2/DP1/DL1/DV1/SL1/NW1/UD1/MV1/MUI	Program number : 1~20, Function : OFF / ON, (*A lower parameter is not given when the upper setup is "OFF.") Monday : OFF / ON, Tuesday : OFF / ON, Wednesday : OFF / ON, Thursday : OFF / ON, Friday : OFF / ON, Saturday : OFF / ON, Sunday : OFF / ON, Action type : PON / POF, Time : hour, minute, Start-up input : HDMI1 / HDMI2 / DisplayPort / DIGITAL LINK / DVI-D / SLOT / Screen Transfer / USB / MEMORY VIEWER / Multi Input
Date and time	Present Day	-	-	QIM:DAY	QIM:DAY***	Not avail	SUN / MON / TUE / WED / THU / FRI / SAT	(a day of the week): Sunday / Monday / Tuesday / Wednesday / Thursday / Friday / Saturday	

TYPE	Function	Control Command		Inquiry Command			Range and kind of parameter Call-back	Explanation
		Transmission Command[:Parameters]	Standby	Transmission Command[:Parameters]	Reply Command[:Parameters]	Standby		
Date and time	Present Time	-	-	QIM:NOW	QIM:NOWO****	Not avail	0000 ~ 2359	Present time (hour:minute)
	DAY TIME	TIM:DAT**** ** ** ** **	Not avail	QIM:DAT	QIM:DAT**** ** ** ** **	Not avail	YYYY : 2020 ~ 2035 MM : 01 ~ 12 DD : 01 ~ 31 hh : 00 ~ 23 mm : 00 ~ 59	(Year) (Month) (Day) (Hour) (Minute) format is "YYYYMMDDhhmm "
	Clock Display	OSP:CLK*	Not avail	QSP:CLK	QSP:CLK*	Not avail	0 / 1	OFF / ON
	Synchronize display	TIM:SDM*	Not avail	QIM:SDM	QIM:SDM*	Not avail	0 / 1	Off / On
	Parent or child setting	TIM:PCS*	Not avail	QIM:PCS	QIM:PCS*	Not avail	0 / 1	Child / Parent
Setup Network settings	Serial Control	SCT:SEC***	Not avail	QCT:SEC	QCT:SEC***	Not avail	SE1 / DL1 / SL1	Serial in / DIGITAL LINK / SLOT
	Network Control	SSU:NCT*	Not avail	QSU:NCT	QSU:NCT*	Not avail	0 / 1	OFF / ON Setting to Off while connected with LAN might disconnect the connection.
	PJLink Setup - PJLink Control	SSU:PCT*	Not avail	QSU:PCT	QSU:PCT*	Not avail	0 / 1	OFF / ON
	PJLink Setup - PJLink Notification	SSU:PNT*	Not avail	QSU:PNT	QSU:PNT*	Not avail	0 / 1	OFF / ON
	PJLink Setup - PJLink Notified IP Address	SSU:PIA* *** *** *** ***	Not avail	QSU:PIA*	QSU:PIA* *** *** *** ***	Not avail	1 / 2 000~255 000~255 000~255 000~255	Notified IP Address1 / Notified IP Address2 IP address 1st BYTE 000~255 IP address 2nd BYTE 000~255 IP address 3rd BYTE 000~255 IP address 4th BYTE 000~255
	Auto Display Name	SSU:ADN*	Not avail	QSU:ADN	QSU:ADN*	Not avail	0 / 1	OFF / ON
	Display name	SSU:LDN *...*	Not avail	QSU:LDN	QSU:LDN *...*	Not avail	space ! " # \$ % & ' () * + , - . / 0 1 2 3 4 5 6 7 8 9 ; < = > ? @ A B C D E F G H I J K L M N O P Q R S T U V W X Y Z [¥] ^ _ ` a b c d e f g h i j k l m n o p q r s t u v w x y z { } -	DISPLAY NAME(Max 8 Parameters)
	LAN Setup - Network Address	SSU:NET*** *** *** *** *** *** *** *** *** *** *** *** *** *** *** *	Not avail	QSU:NET	QSU:NET*** *** *** *** *** *** *** *** *** *** *** *** *** *** *** *	Not avail	000 ~ 255 000 ~ 255 000 ~ 255 000 ~ 255 000 ~ 255 000 ~ 255 000 ~ 255 000 ~ 255 000 ~ 255 000 ~ 255 000 ~ 255 000 ~ 255 000 ~ 255 000 ~ 255 000 ~ 255 000 ~ 255 0/1	IP address 1st BYTE 000 ~ 255 IP address 2nd BYTE 000 ~ 255 IP address 3rd BYTE 000 ~ 255 IP address 4th BYTE 000 ~ 255 SUB NET MASK 1st BYTE 000 ~ 255 SUB NET MASK 2nd BYTE 000 ~ 255 SUB NET MASK 1st BYTE 000 ~ 255 SUB NET MASK 2nd BYTE 000 ~ 255 Gateway address 1st BYTE 000 ~ 255 Gateway address 2nd BYTE 000 ~ 255 Gateway address 3rd BYTE 000 ~ 255 Gateway address 4th BYTE 000 ~ 255 DHCP OFF / DHCP ON
	LAN Setup - Command Port Number	SSU:LCP*****	Not avail	QSU:LCP	QSU:LCP*****	Not avail	01024~65535 (04352, 10000, 12000, 12004, 12006, 14000, 20000, 27250, 41794 are excluded.)	Command Port Number (1024~65535, followings are excluded : 4352, 10000, 12000, 12004, 12006, 14000, 20000, 27250, 41794)
	DIGITAL LINK Mode	SSU:DLM**	Not avail	QSU:DLM	QSU:DLM**	Not avail	AT/DL/EN/LR	Auto / DIGITAL LINK mode / Ethernet / LongReach
DIGITAL LINK (Ethernet Control)	SSU:DLC*	Not avail	QSU:DLC	QSU:DLC*	Not avail	0 / 1	Disable / Enable	

TYPE	Function	Control Command		Inquiry Command			Range and kind of parameter Call-back	Explanation	
		Transmission Command[:Parameters]	Standby	Transmission Command[:Parameters]	Reply Command[:Parameters]	Standby			
S e t u p	Network settings	DIGITAL LINK STATUS	-	-	QSU:DLS	QSU:DLS* * -** -**	Not avail	0 / 1 / 2 / 3 0 / 1 / 2 -00 ~ -99 -00 ~ -99	No connect / Digital Link / LPM / Ethernet No HDMI / HDMI(No HDCP) / HDMI(HDCP) Minimum Signal Quality Maximum Signal Quality (Example) QSU:DLS%1%2-%3%4-%5%6 %1: Link Status %2:HDMI Signal Status (correspond to HDMI Status) %3%4:Signal Quality MIN (00-99) %5%6:Signal Quality MAX (00-99)
		AMX D.D.	SSU:ADD*	Not avail	OSU:ADD	OSU:ADD*	Not avail	0 / 1	OFF / ON
		Crestron Connected™	SSU:CRV*	Not avail	OSU:CRV	OSU:CRV*	Not avail	0 / 1	OFF / ON
		Extron XTP	SSU:EXP*	Not avail	OSU:EXP	OSU:EXP*	Not avail	0 / 1	OFF / ON
		USB memory network settings	SSU:UNS*	Not avail	OSU:UNS	OSU:UNS*	Not avail	0 / 1	Prohibit / Permit
		LAN Control Protocol	OSP:LPN***	Not avail	QSP:LPN	QSP:LPN***	Not avail	LP1 / LP2	Procolot1 / Protocol2
		Reset	SSU:LRT	Not avail	-	-	-	-	-
		USB media player	SUS:UMP*	Not avail	OUS:UMP	OUS:UMP*	Not avail	0 / 1	Disable / Enable
		Schedule play function	SUS:SPF*	Not avail	QUS:SPF	QUS:SPF*	Not avail	0 / 1	Disable / Enable
		Video Playback Mode	SUS:VPB*	Not avail	QUS:VPB	QUS:VPB*	Not avail	0 / 1	Standard / Adjust
		Still picture rotation	SUS:STR*	Not avail	QUS:STR	QUS:STR*	Not avail	0 / 1 / 2	Landscape / Portrait / Exif information
		Resume play	SUS:RSP*	Not avail	QUS:RSP	QUS:RSP*	Not avail	0 / 1	OFF / ON
		Slide show duration	SUS:SSD***	Not avail	QUS:SSD	QUS:SSD***	Not avail	010 ~ 600	10 - 600 seconds (5 second unit)
		Play mode	SUS:SPM*	Not avail	QUS:SPM	QUS:SPM*	Not avail	0 / 1	Individual play / Synchronize play
		get Schedule play mode	-	-	QUS:CMS	QUS:CMS*	Avail	0 / 1	Normal mode / Schedule play mode (standby : Normal standby / Schedule wait standby)
		Memory viewer function	SMS:MVF*	Not avail	QMS:MVF	QMS:MVF*	Not avail	0 / 1	OFF / ON
		View	SMS:VIE***	Not avail	QMS:VIE	QMS:VIE***	Not avail	THU / LIS	Thumbnail / List
		Content select	SMS:CON***	Not avail	QMS:CON	QMS:CON***	Not avail	STL / VID / AUD / ALL / SAV / SAA / VAA	Picture / Video / Audio / All / Picture/Video / Picture/Audio / Video/Audio
		Sort type	SMS:TYP***	Not avail	QMS:TYP	QMS:TYP***	Not avail	DAT / NAM	Date / Name
		Sort order	SMS:ODR***	Not avail	QMS:ODR	QMS:ODR***	Not avail	ASD / DSD	Ascending / Descending
		Play method	SMS:RPT***	Not avail	QMS:RPT	QMS:RPT***	Not avail	NON / ONE / ALL / RAN / SEL / PRG	None / Repeat one file / Repeat all files / Random / Select / Program
		Picture duration	SMS:SSD***	Not avail	QMS:SSD	QMS:SSD***	Not avail	010 ~ 600	10 - 600 seconds (5 second unit)
		Auto display content info	SMS:INF*	Not avail	QMS:INF	QMS:INF*	Not avail	0 / 1	OFF / ON
		Auto display operation guide	SMS:GUI*	Not avail	QMS:GUI	QMS:GUI*	Not avail	0 / 1	OFF / ON
		Screen Transfer function	SSU:STF*	Not avail	QSU:STF	QSU:STF*	Not avail	0 / 1	Disable / Enable
		Cut in	SSU:STC*	Not avail	QSU:STC	QSU:STC*	Not avail	0 / 1	OFF / ON
		PIN code	SSU:STP*	Not avail	QSU:STP	QSU:STP*	Not avail	0 / 1	OFF / ON
		Background color settings	SSU:WBC*	Not avail	QSU:WBC	QSU:WBC*	Not avail	0 / 1	Black / Blue
		Date/Time setting	SSU:WDT***	Not avail	QSU:WDT	QSU:WDT***	Not avail	000:OFF 001:Y-M-D 002:Y/M/D 003:Y.M.D 004:D-M-Y 005:D/M/Y 006:D.M.Y 007:M-D-Y 008:M/D/Y 009:M.D.Y 010:M D,Y	OFF Y-M-D (Example) 2021-08-24 Y/M/D (Example) 2021/08/24 Y.M.D (Example) 2021.08.24 D-M-Y (Example) 24-08-2021 D/M/Y (Example) 24/08/2021 D.M.Y (Example) 24.08.2021 M-D-Y (Example) 08-24-2021 M/D/Y (Example) 08/24/2021 M.D.Y (Example) 08.24.2021 M D,Y (Example) 08 24,2021
		Language link	SSU:WLG*	Not avail	QSU:WLG	QSU:WLG*	Not avail	0 / 1	Disable / Enable

TYPE	Function	Control Command		Inquiry Command			Range and kind of parameter Call-back	Explanation	
		Transmission Command[:Parameters]	Standby	Transmission Command[:Parameters]	Reply Command[:Parameters]	Standby			
S e t u p	Function Group	OSP:KGR***	Not avail	OSP:KGR	OSP:KGR***	Not avail	INP / MEM / ACT	INPUT / MEMORY / ACTION & MENU(SHORTCUT)	
	Function Button Settings	OSP:KFN* ***	Not avail	QSP:KFN*	QSP:KFN* ***	Not avail	1 - 6 (SHORT CUT) SIG / SSV / SUT / LNS / ECO / OSH / MLT / PRT / PDS / DZM / MSW / DID / HCO / PLE (INPUT) HM1/HM2/DP1/DL1/DV1/SL1/NW1/UD1/MV1	setup to FUNCTION KEY 1 - 6 (ACTION & MENU) SIG : Signal menu SSV : Screensaver menu SUT : Timer setup menu LNS : Network settings menu ECO : Power management settings menu OSH : AV Mute MLT : Multi display settings menu PRT : Portrait settings menu PDS : Portrait display switching DZM : Digital zoom MSW : Multi display switching DID : Display ID & Display Name HCO : HDMI-CEC operation PLE : Playlist edit (INPUT) HM1 : HDMI1 HM2 : HDMI2 DP1 : DisplayPort DL1 : DIGITAL LINK DV1 : DVI-D SL1 : SLOT NW1 : Screen Transfer UD1 : USB MV1 : MEMORY VIEWER	
		Function guide Settings	OSP:KFG*	Not avail	QSP:KFG	QSP:KFG*	Not avail	0 / 1	OFF / ON
		Menu Position	SSU:OPS*	Not avail	QSU:OPS	QSU:OPS*	Not avail	1 / 2 / 3	1:Left(Landscape) / Upper(Portrait) 2:Center 3:Right(Landscape) / Lower(Portrait)
		Menu Display Duration	SSU:MDT***	Not avail	QSU:MDT	QSU:MDT***	Not avail	005 ~ 180	Timeout time of a menu display 5 - 180 seconds (5 second unit)
		On screen display	OSP:OSD*	Not avail	QSP:OSD	QSP:OSD*	Not avail	0 / 1	OFF / ON
		OSD Transparency	SSU:MTL***	Not avail	QSU:MTL	QSU:MTL***	Not avail	000 ~ 100	Transmissivity of a menu 0 ~ 100% (10% unit)
		Display ID	-	-	QID:DID	QID:DID***	Not avail	000 ~ 100	Display ID
		Serial ID function	SID:SID*	Not avail	QID:SID	QID:SID*	Not avail	0 / 1	OFF / ON
		Serial Response(Normal)	SCT:RIN*	Not avail	QCT:RIN	QCT:RIN*	Not avail	0 / 1	OFF / ON
		Serial Response(ID all)	SCT:RIA*	Not avail	QCT:RIA	QCT:RIA*	Not avail	0 / 1	OFF / ON
		Serial ID Setup (Serial ID Function and Display ID)	SIF:* ***	Not avail	QIF	QIF:* ***	Not avail	0 / 1 000~100	OFF / ON Display ID
		Long life mode	SLS:LLS*	Not avail	QLS:LLS	QLS:LLS*	Not avail	0 / 1	OFF / ON
		Ambient light sensor	SSU:ALS*	Not avail	QSU:ALS	QSU:ALS*	Not avail	0 / 1 / 2 / 3	0 : Off 1 : Power save Low 2 : Power save Middle 3 : Power save High
		Proximity sensor	SSU:PRS*	Not avail	QSU:PRS	QSU:PRS*	Not avail	0 / 1	0 : Off 1 : Content operation
		Color sensor	SSU:CLS*	Not avail	QSU:CLS	QSU:CLS*	Not avail	0 / 1	0 : Off 1 : Color temperature setting
		No Signal Warning	SIT:NSW*	Not avail	QIT:NSW	QIT:NSW*	Not avail	0 / 1	0: Off / 1:On On:display sends out the no signal
		No Signal Warning Timing	SIT:SWT**	Not avail	QIT:SWT	QIT:SWT**	Not avail	01 ~ 60	01 ~ 60 (minutes)

TYPE	Function	Control Command		Inquiry Command			Range and kind of parameter Call-back	Explanation	
		Transmission Command[:Parameters]	Standby	Transmission Command[:Parameters]	Reply Command[:Parameters]	Standby			
S e t u p	Information Timing	Query status :No Signal Warning Timing	-	Not avail	QST:NSW	QST:NSW*	Not avail	0 / 1	1: No Signal Warning: 0: No waring for this function. *Reply "0" when No Signal Warning is set "OFF".
	Message of No Signal Warning (Auto) While RS-232C controls: message sent on the display automatically.	-	Not avail	-	QST:NSW*	Not avail	0 / 1	1: No Signal Warning: 0: No waring for this function.	
	No Signal Error	SIT:NSE*	Not avail	QIT:NSE	QIT:NSE*	Not avail	0 / 1	0: Off /1:On On:display sends out the no signal error..(QST:NSE*)	
	No Signal Error Timing	SIT:SET**	Not avail	QIT:SET	QIT:SET**	Not avail	01 ~ 90	01 ~ 90 (minutes)	
	Query status :No Signal Error Timing	-	Not avail	QST:NSE	QST:NSE*	Not avail	0 / 1	1: No Signal Error 0: No error for this function. *Reply "0" when No Signal Error is set "OFF".	
	Message of No Signal Error Timing (Auto) While RS-232C controls: message sent on the display automatically.	-	Not avail	-	QST:NSE*	Not avail	0 / 1	1: No Signal Error 0: No error for this function.	
	Temperature Warning	SIT:TPW*	Not avail	QIT:TPW	QIT:TPW*	Not avail	0 / 1	0: Off /1:On On:display sends out the warning temperature..(QST:TO*)	
	Query status :Temperature warning	-	Not avail	QST:TO	QST:TO*	Not avail	0 / 1	1: "HIGH TEMPERATURE-MODE". *Please check the condition. 0: "NORMAL-MODE".	
	Message of Temperature warning(Auto) While RS-232C controls: message sent on the display automatically.	-	Not avail	-	QST:TO*	Not avail	0 / 1	1: "HIGH TEMPERATURE-MODE". *Please check the condition. 0: "NORMAL-MODE".	
	SLOT information (Versioin)	-	-	QSU:SIV	QSU:SIV *****	Not avail	(example) ***** : 31323334	***** : Version	
	SLOT power link	SSU:SPL*	Not avail	QSU:SPL	QSU:SPL*	Not avail	0 / 1	0 : OFF 1 : ON	
	SLOT standby	SSU:SSB*	Not avail	QSU:SSB	QSU:SSB*	Not avail	0 / 1	0 : OFF 1 : ON	
	SLOT forced termination	SSU:SOF	Not avail	-	-	-	-	SLOT forced off	
	SLOT power on	SSU:SON	Not avail	-	-	-	-	SLOT power on	
O t h e r s	Others	Recall	DDS	Not avail	-	-	-	Recall	
	Display ID / Display name	DDS:DID	Not avail	-	-	-	-	Display ID / Display name	
	Audio Mute	AOC:*	Not avail	-	-	-	0 / 1	MUTE OFF / MUTE ON	
	OSD Clear	VDO	Not avail	-	-	-	-	OSD Clear	
	digital zoom	DZM:*	Not avail	QDZ	QDZ:*	Not avail	0 / 1, * 1 / 2 / 3 / 4, * 1 / 2 / 3 / 4 / 5, * 1 / 2 / 3 / 4 / 5	OFF / ON, Enlargement factor, display position(Horizontal), display position(Vertical)	
	Off Timer	ZOT:**	Not avail	-	-	-	00 ~ 90	0~90(minutes)	
	USB media player Skip to the next playback file	UMP:NXT	Not avail	-	-	Not avail	-	Play next content Available using USB media player	
	USB media player Skip to the previous playback file	UMP:PRE	Not avail	-	-	Not avail	-	Play previous content Available using USB media player	
	USB media player Playback again from top of the file	UMP:RPY	Not avail	-	-	Not avail	-	Play top of the content Available using USB media player	
	Inquiry about Signal Status of input signal	-	-	QST:SGS	QST:SGS*	Not avail	0 / 1 / 2	Signal Status information 0 : Valid signal 1 : No signal 2 : Unsupported signal	
Inquiry about Signal Frequency of input signal	-	-	QFR	QFR:H***.** V***.**	Avail	000.00 ~ 999.99, 000.00 ~ 999.99	Horizontal frequency Vertical frequency Displayed until the decimal point second place.		

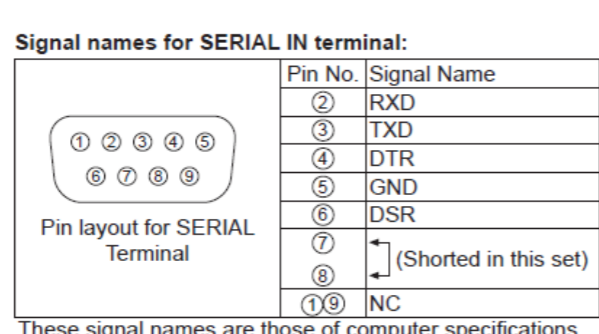
TYPE	Function	Control Command		Inquiry Command			Range and kind of parameter Call-back	Explanation
		Transmission Command[:Parameters]	Standby	Transmission Command[:Parameters]	Reply Command[:Parameters]	Standby		
Others	Inquiry about Signal Frequency of input signal (Screen type : Multi input display - 4 input Display)	-	-	QFR	QFR: H***.** V***.** H***.** V***.** H***.** V***.** H***.** V***.**	Not avail	000.00 ~ 999.99 000.00 ~ 999.99 000.00 ~ 999.99 000.00 ~ 999.99 000.00 ~ 999.99 000.00 ~ 999.99 000.00 ~ 999.99 000.00 ~ 999.99	Input(Upper/Left) : H:Horizontal frequency V:Vertical frequency Input(Upper/Right) : H:Horizontal frequency V:Vertical frequency Input(Lower/Left) : H:Horizontal frequency V:Vertical frequency Input(Lower/Right) : H:Horizontal frequency V:Vertical frequency Displayed until the decimal point second place.
	Inquiry about Signal Frequency of input signal (Screen type : Multi input display - Picture in picture)	-	-	QFR	QFR: H***.** V***.** H***.** V***.**	Not avail	000.00 ~ 999.99 000.00 ~ 999.99 000.00 ~ 999.99 000.00 ~ 999.99	Input(Main) : H:Horizontal frequency V:Vertical frequency Input(Sub) : H:Horizontal frequency V:Vertical frequency Displayed until the decimal point second place.
	Inquiry about Signal Frequency of input signal (Screen type : Multi input display - Picture by picture)	-	-	QFR	QFR: H***.** V***.** H***.** V***.**	Not avail	000.00 ~ 999.99 000.00 ~ 999.99 000.00 ~ 999.99 000.00 ~ 999.99	Input(Upper)/Input(Left) : H:Horizontal frequency V:Vertical frequency Input(Lower)/Input(Right) : H:Horizontal frequency V:Vertical frequency Displayed until the decimal point second place.
	Inquiry about Signal Format of input signal	-	-	QSF	QSF:***** *****	Avail	(MAX 20 Characters)	Signal format information
	Inquiry about Signal Format of input signal (Screen type : Multi input display - 4 input Display)	-	-	QSF	QSF: A***** ** B***** ** C***** ** D***** **	Not avail	(example) A***** : A-1080/60p----- - B***** : B-1080/60p----- - C***** : C-1080/60p----- - D***** : D-1080/60p----- -	Signal format information A : Input(Upper/Left) B : Input(Upper/Right) C : Input(Lower/Left) D : Input(Lower/Right)
	Inquiry about Signal Format of input signal (Screen type : Multi input display - Picture in picture)	-	-	QSF	QSF: A***** ** B***** **	Not avail	(example) A***** : A-1080/60p----- - B***** : B-1080/60p----- -	Signal format information A : Input(Main) B : Input(Sub)
	Inquiry about Signal Format of input signal (Screen type : Multi input display - Picture by picture)	-	-	QSF	QSF: A***** ** B***** **	Not avail	(example) A***** : A-1080/60p----- - B***** : B-1080/60p----- -	Signal format information A : Input(Upper)/Input(Left) B : Input(Lower)/Input(Right)

TYPE	Function	Control Command		Inquiry Command			Range and kind of parameter Call-back	Explanation
		Transmission Command[:Parameter s]	Standby	Transmission Command[:Parameters]	Reply Command[:Parameters]	Standby		
Others	Inquiry about detail of DIGITAL LINK status			QST:DLD	QST:DLD * *** * -** -** -** -** -** -** -**	Not avail	0 / 1 / 2 / 3 000-225, <20 0 / 1 / 2 -00~-99 -00~-99 -00~-99 -00~-99 -00~-99 -00~-99	No connect / Digital Link / LPM / Ethernet (Est. Cable Length)(m) (*) No HDMI / HDMI(No HDCP) / HDMI(HDCP) ChannelA Signal Quality ChannelB Signal Quality ChannelC Signal Quality ChannelD Signal Quality Minimum Signal Quality Maximum Signal Quality (*)Est. Cable Length VS100RXFirmware :000>20(20mLAN)
	Inquiry about HDCP status	-	-	QST:DCP	QST:DCP***	Not avail	PRT / NON / ---	Protected / None / No signal
	Inquiry about Monitor Used Time	-	-	QST:PT	QST:PT*****	Avail	00000 ~ 99999	Monitor Used Time (hour)
	Inquiry about FAN Used Time	-	-	QST:F1T	QST:F1T*****	Avail	00000 ~ 99999	FAN Used Time (hour)
	Setting Hostname	SSU:HSN*...*	Not avail	QSU:HSN	QSU:HSN*...*	Not avail	0 1 2 3 4 5 6 7 8 9 A B C D E F G H I J K L M N O P Q R S T U V W X Y Z a b c d e f g h i j k l m n o p q r s t u v w x y z -	HOSTNAME(Max 20 Parameters)
	Auto Command Send Setting	RCM:* *	Not avail	-	-	-	0 / 1 0 / 1 (1~2 / Number of parameters is 1 to 2.)	OFF / ON --- QSS (QSS command) OFF / ON --- QSS:STSERR (QSS:STSERR)
	Inquiry about Model Name	-	-	QMN	QMN: ** * **	Avail	55 / 65 / 75 / 86 U / F 20	Inch size UHD model / FHD model Product of 2020
	Inquiry about Model	-	-	QID	QID: **, ***, *	Avail	55 / 65 / 75 / 86 SQ1H / WQ1H / WF1H J / W	Inch size model market
	Software Version Main MCU	-	-	QRV	QRV: *.*.*.* SF2H	Avail	*Example 1.0000 SQ1	Version model
	Software Version Sub MCU	-	-	QRV:STB	QRV:STB**.*	Avail	*Example 01.00	Version
	Software Version FE	-	-	QRV:FRE	QRV:FRE *.*.*	Not avail	*Example 0.203	Version
	Software Version EEPROM	-	-	QRV:EPP	QRV:EPP**.*	Avail	*Example 01.00	Version
	Software Version HDBaseT RX	-	-	QRV:HBT	QRV:HBT **.*.*.*	Avail	*Example 30.90.000C	Version
	Software Version FPGA	-	-	QRV:FP1	QRV:FP1_ **.*	Not Avail	*Example 01.00	Version
	Software Version SDI FPGA	-	-	QRV:FP2	QRV:FP2_ **.*	Not Avail	*Example 01.00	Version
	Software Version FRC	-	-	QRV:FRC	QRV:FRC ****	Not avail	*Example 0100	(86 inch only) Version
	Serial number	-	-	QSN	QSN:*****	Avail	(ASCII 9~15 / 9 to 15 figures of the ASCII characters)	(Alphanumeric character)(capital letter of the alphabet)(Blank)'-'(0x30-0x39,0x41-0x5a,0x20,0x2d)
	MAC Address * Main software version 3.0000 or later	-	-	QMA	QMA:*****	Not Avail	0~9, A~F 12 figures	MAC Address
	LAN data Cloning - Write protect	LCL:WRP*	Not Avail	QCL:WRP	QCL:WRP*	Not Avail	0 / 1	OFF / ON

TYPE	Function	Control Command		Inquiry Command			Range and kind of parameter Call-back	Explanation
		Transmission Command[:Parameter s]	Standby	Transmission Command[:Parame ters]	Reply Command[:Parameters]	Standby		
(J a L p i a g n t O n I D y)	LightID mode (Select PWM Mode)	LID:MOD*	Not Avail	QLI:MOD	QLI:MOD*	Not Avail	0 / 1 / 2	PWM Control Mode LightID OFF / External Control Mode / Internal ID Mode (0 : Main CPU Control 1, 2 : Light ID Control)
	Stop LightID	LID:STP	Not avail	-	-	-	-	Stop LightID Sending
	BackLight Control	LID:BLT*	Not avail	QLI:BLT	QLI:BLT*	Not Avail	1 / 2 / 3	Backlight Duty Control Low / Middle / High Not Available when LightID mode is Off. This command works as same as LID:BLC / QLI:BLC .
	BackLight Control	LID:BLC*	Not Avail	QLI:BLC	QLI:BLC*	Not Avail	1 / 2 / 3	Backlight Duty Control Low / Middle / High Not Available when LightID mode is Off. This command works as same as LID:BLT / QLI:BLT .

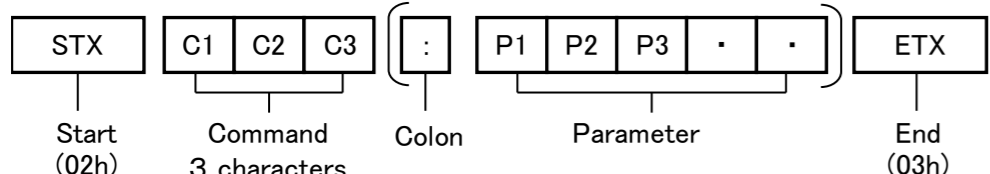
■SERIAL terminal connection

Communication parameters table with fields: Signal level, Synchronization method, Baudrate, Parity, Character length, Stop bit, Flow control.



type of cable : straight cable

Basic format for control data: The transmission of control data starts with a STX signal, followed by the command, the parameters, and lastly an ETX signal in that order.



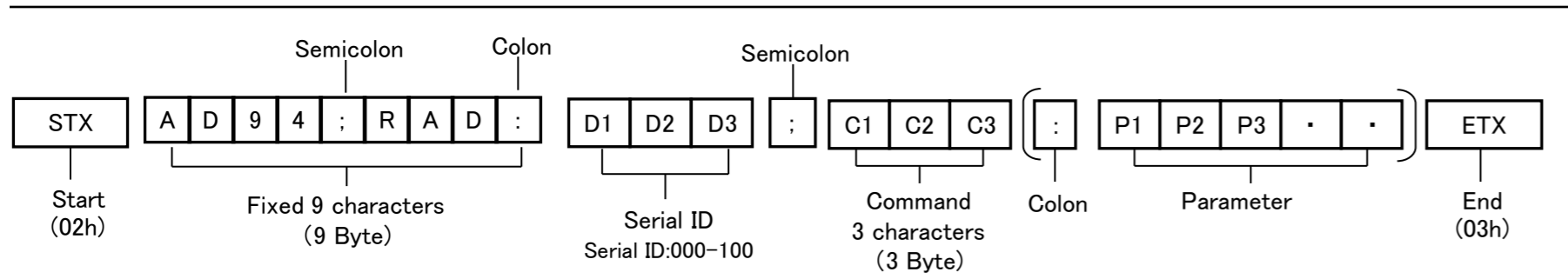
Example table showing character and binary representations for commands like 'Power on' and 'Picture+85'.

- Notes: If an incorrect command is sent, this unit will reply an "ER401" command to the computer. If customer send multiple commands, be sure to wait for the response for the first command to come before sending the next command.

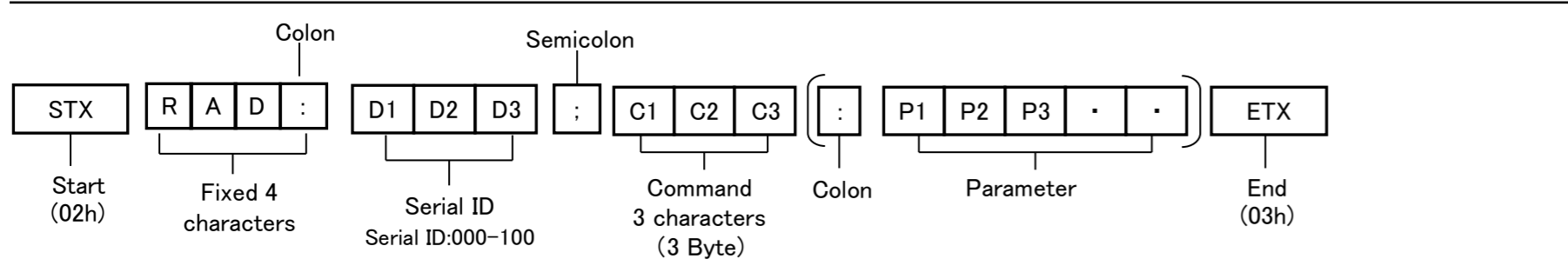
<When sending command with Display ID> When sending command with Display ID, set [Control settings] - [Serial ID function] to "on".

How to send to add "Serial ID" (Serial Control Only)

Serial ID Format table showing examples of commands with and without Serial ID.



or



- "AD94:RAD:" or "RAD:" is fixed characters when sending command with ID. Serial ID is 3 characters and specified with Display ID which will be controlled.

■Control via LAN

The communication differs whether [Network settings] - [LAN control protocol] is set to [Protocol 1] or [Protocol 2].

<When [LAN control protocol] is set to [Protocol 1].>

Connection method

- Obtain the display's IP address and the port number (Default is 1024), and request connection to the display. (The IP address and the port number can be obtained from menus. For details, see the manual.)

Table for transmitted data format for Protocol 1, including fields like Data part, Space, Mode, Random number part, and Last terminal symbol.

- Hash the following data with the MD5 algorithm, and generate a 32-byte hash value.

zzzzzzzz : 8-byte random number obtained in step 2
yyyyy : Password set in "Administrator account settings"

Command transmission method
Transmit in the following command format.

Table for transmitted data format for Protocol 1, including Header, Control symbol, Data part, Control symbol, and Last terminal symbol.

Table for received data format for Protocol 1, including Control symbol, Data part, Control symbol, and Last terminal symbol.

<When [LAN control protocol] is set to [Protocol 2].>

Connection method

- Obtain the display's IP address and the port number (Default is 1024), and request connection to the display.

Table for transmitted data format for Protocol 2, including fields like Data part, Space, Mode, Random number part, and Last terminal symbol.

- Hash the following data with the MD5 algorithm, and generate a 32-byte hash value.

xxxxx:yyyyy:zzzzzzzz : User name set in "Administrator account settings"
yyyyy : Password set in "Administrator account settings" above
zzzzzzzz : 8-byte random number obtained in step 2

Command transmission method
Transmit in the following command format.

Table for transmitted data format for Protocol 2, including Header, Data part, Control symbol, and Last terminal symbol.

Table for received data format for Protocol 2, including Header, Data part, Control symbol, and Last terminal symbol.

(Note) When setting to [Protocol 1], the response in the case that sent the inquiry command is omitted the first four characters of command.

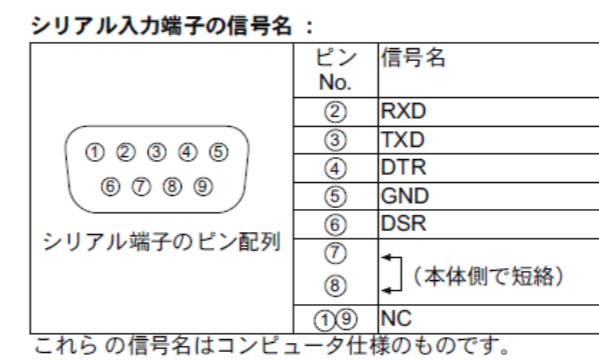
Table showing Control Command, Reply Command, Inquiry Command, and Reply Command for Protocol 1 and Protocol 2.

For more details of the control via LAN, please obtain from the following web site.
<https://panasonic.net/cns/prodisplays/>

通信規約

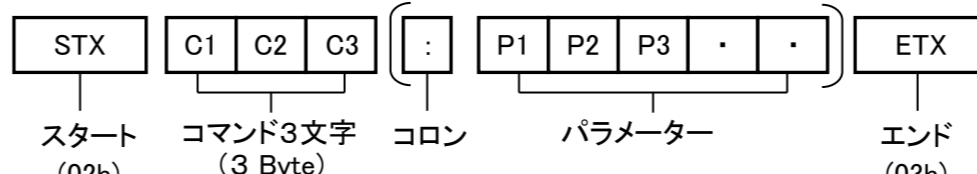
■シリアル端子接続

通信条件 table with fields: 信号レベル, 同期方式, ポーレート, パリティなし, キャラクター長, ストップビット, フロー制御.



ケーブル種 : ストレート

基本フォーマット: データは、「STX」、「コマンド」、「パラメーター」、「ETX」の順に送信してください。



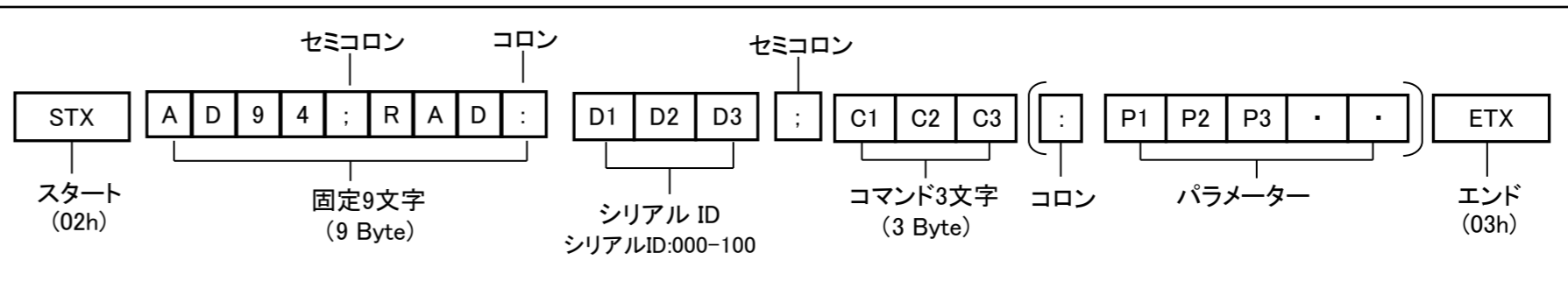
Example table showing character and binary representations for commands like '電源オンコマンド' and 'ピクチャー+85設定'.

- その他: 間違ったコマンドを受信すると、「ER401」という応答コマンドを返信します。複数コマンドで制御する場合は、送信側が本機の応答を受け取ってから、次のコマンドを送信することを想定しています。

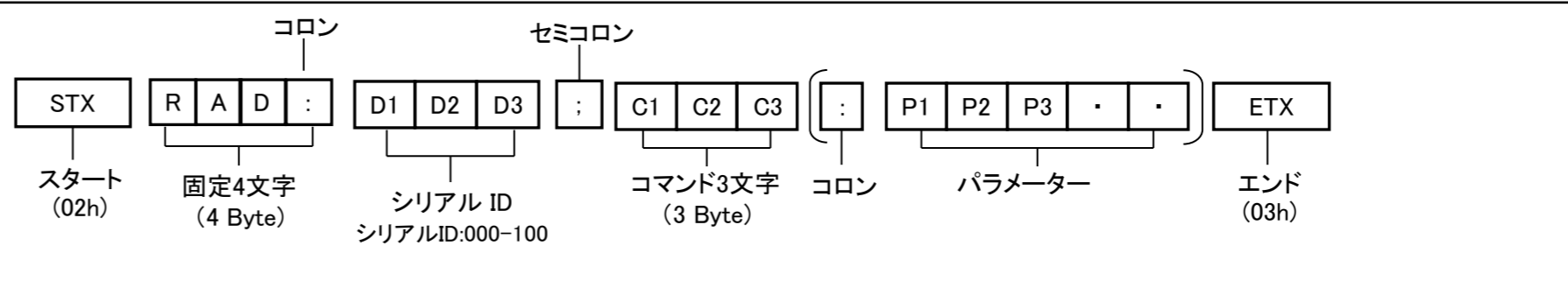
<ID付コマンドで制御する場合は> シリアルID付で制御する場合は、「コントロール設定」メニューの「シリアルID機能」をオンに設定してください。

ID付コマンドフォーマット (シリアル制御のみ)

ID付コマンドフォーマット table showing examples of commands with and without Serial ID.



または



- "AD94:RAD:"または"RAD:"は、シリアルID付きコマンドを送る場合に必要固定文字列です。シリアルIDには、制御したいディスプレイのディスプレイIDを3文字で指定します。

■LAN経由制御

「ネットワーク設定」メニューの「LAN制御プロトコル」の設定が「プロトコル1」か「プロトコル2」かによって通信内容が異なります。

<「LAN制御プロトコル」の設定が「プロトコル1」の場合>

接続方法

- ディスプレイのIPアドレスとポート番号を取得してディスプレイへ接続を要求してください。(IPアドレスとポート番号は、メニューから確認できます。詳細は取扱説明書を参照してください)

Table for transmitted data format for Protocol 1, including fields like Data part, Space, Mode, Random number part, and Last terminal symbol.

- MD5アルゴリズムを用いて、以下のデータから32バイトのハッシュ値を生成してください。

zzzzzzzz : 手順2で取得した8バイトの乱数
yyyyy : 「管理者アカウント設定」で設定したパスワード

コマンド送信方法
以下のコマンド形式で送信してください。

Table for transmitted data format for Protocol 1, including Header, Control symbol, Data part, Control symbol, and Last terminal symbol.

Table for received data format for Protocol 1, including Control symbol, Data part, Control symbol, and Last terminal symbol.

<「LAN制御プロトコル」の設定が「プロトコル2」の場合>

接続方法

- ディスプレイのIPアドレスとポート番号を取得してディスプレイへ接続を要求してください。

Table for transmitted data format for Protocol 2, including fields like Data part, Space, Mode, Random number part, and Last terminal symbol.

- MD5アルゴリズムを用いて、以下のデータから32バイトのハッシュ値を生成してください。

xxxxx:yyyyy:zzzzzzzz : 「管理者アカウント設定」で設定したユーザー名
yyyyy : 上記「管理者アカウント設定」で設定したパスワード
zzzzzzzz : 手順2で取得した8バイトの乱数

コマンド送信方法
以下のコマンド形式で送信してください。

Table for transmitted data format for Protocol 2, including Header, Data part, Control symbol, and Last terminal symbol.

Table for received data format for Protocol 2, including Header, Data part, Control symbol, and Last terminal symbol.

(お知らせ) 「プロトコル2」で、問い合わせコマンドを送信した場合の応答は、コマンドの先頭4文字を省略したものを返信します。

Table showing Control Command, Reply Command, Inquiry Command, and Reply Command for Protocol 1 and Protocol 2.

LAN経由制御に関するより詳細な説明は、以下のサポートサイトより入手してください。
<https://biz.panasonic.com/jp-ja/products-services/prodisplays>