

RS232C/LAN command list

MODEL : TH-98/86/75/65/55/49SQ1

2020/4/28

Panasonic Corporation

* Control / inquiry command may be disable depending on the model, software version, and menu settings.

TYPE	Function	Control Command		Inquiry Command			Range and kind of parameter Call-back	Explanation
		Transmission Command[:Parameters]	Standby	Transmission Command[:Parameters]	Reply Command[:Parameters]	Standby		
Basic Control	Power ON	PON	Avail	-	-	-	-	Power ON
	Power OFF	POF	-	-	-	-	-	Power OFF
	Power Status	-	-	QPW	QPW:*	Avail	0 / 1	0 : Standby (Off) 1 : Power ON (On)
	Input Change	IMS:***	-	QMI	QMI:***	Avail	HM1/HM2/DP1/DL1/DV1/SL1/PC1/NW1/UD1/MV1 * NW1 : (98/86SQ1 only) Main software version 4.0000 or later	HM1 : HDMI1 HM2 : HDMI2 DP1 : DisplayPort DL1 : DIGITAL LINK DV1 : DVI-D(DVI-D/SLOT select:DVI-D) SL1 : SLOT(DVI-D/SLOT select:SLOT) PC1 : PC NW1 : Screen Transfer UD1 : USB MV1 : MEMORY VIEWER In 4 input display, Input(Upper/left) is reply. In Picture in picture, Input(Main) is reply. In Picture by picture, Input(Upper-Left) is reply.
	Digital Link Input select for YFB Series	IMS:DL1***	-	QMI:DL1	QMI:DL1***	Not avail	HD1/HD2/PC1/PC2/SVD/VID (YFB100) HD1/ HD2/ PC1/ PC2 /VID (YFB200)	*YFB100/YFB200 Available when YFB100 is connected. HD1 : HDMI1 HD2 : HDMI2 PC1 : COMPUTER 1 PC2 : COMPUTER 2 SVD : S-VIDEO (* YFB100 only) VID : VIDEO
	Audio Volume	AVL:***	Not avail	-	-	-	000 - 100	Volume value
	Volume Up	AUU	Not avail	-	-	-	-	Volume Up
	Volume Down	AUD	Not avail	-	-	-	-	Volume Down
	Current Audio Volume	-	-	QAV	QAV:***	Avail	000 - 100	Volume value
	Audio Mute	AMT (:*)	Not avail	QAM	QAM:*	Avail	Control:(Toggle) 0 / 1	Toggle (Audio mute Off) / (Audio mute On)
	Video Mute	VMT (:*)	Not avail	QVM	QVM:*	Avail	Control:(Toggle) 0 / 1	Toggle (Video mute Off) / (Video mute On)
	Aspect Change	DAM (:****)	Not avail	QAS	QAS:****	Not avail	FULL / NORM / NATV / HFIT / VFIT / ZOOM / ZOM2	Toggle FULL / NORMAL / REAL / H FIT / V FIT / ZOOM1 / ZOOM2

P i c t u r e	Picture Adjustment	Picture Mode	VPC:MEN***	Not avail	QPC:MEN	QPC:MEN***	Not avail	VIV / NAT / STD / SUV / GRH / DCM	VIV : VIVID SIGNAGE NAT : NATURAL SIGNAGE STD : STANDARD SUV : SURVEILLANCE GRH : GRAPHIC DCM : DICOM
		Backlight	VPC:BLT***	Not avail	QPC:BLT	QPC:BLT***	Avail	000 ~ 100 DEF	0 ~ 100 DEF:SET SHIPPING VALUE Available when Power save is Off.
		Picture Contrast	VPC:PIC***	Not avail	QPC:PIC	QPC:PIC***	Avail	000 ~ 100 DEF	0 ~ 100 DEF:SET SHIPPING VALUE
		Black Level Brightness	VPC:BLK***	Not avail	QPC:BLK	QPC:BLK***	Avail	000 ~ 100 DEF	0 ~ 100 DEF:SET SHIPPING VALUE
		Color	VPC:COL***	Not avail	QPC:COL	QPC:COL***	Avail	000 ~ 100 DEF	0 ~ 100 DEF:SET SHIPPING VALUE
		Tint	VPC:TIN***	Not avail	QPC:TIN	QPC:TIN***	Not avail	000 ~ 100 DEF	0 ~ 100 DEF:SET SHIPPING VALUE
		Sharpness	VPC:SHP***	Not avail	QPC:SHP	QPC:SHP***	Avail	000 ~ 100 DEF	0 ~ 100 DEF:SET SHIPPING VALUE
		Enhance level	VPC:SHE*	Not avail	QPC:SHE	QPC:SHE*	Not avail	1 / 2	1: low 2: high
		Gamma	VWB:GMM**	Not avail	QWB:GMM	QWB:GMM**	Not avail	20 / 22 / 24 / 26	2.0 / 2.2 / 2.4 / 2.6
		Color Temperature	VPC:TMP***	Not avail	QPC:TMP	QPC:TMP***	Not avail	032 / 040 / 050 / 065 / 075 / 093 / 107 / NTV / U01 / U02	3200K ~ 10700K / NaTive / USER1 / USER2
		Red Gain	VWB:RGN****	Not avail	QWB:RGN	QWB:RGN****	Not avail	0000 ~ 0255	0 ~ 255 Available when Color Temperature is USER1 or USER2.
		Green Gain	VWB:GGN****	Not avail	QWB:GGN	QWB:GGN****	Not avail	0000 ~ 0255	0 ~ 255 Available when Color Temperature is USER1 or USER2.
		Blue Gain	VWB:BGN****	Not avail	QWB:BGN	QWB:BGN****	Not avail	0000 ~ 0255	0 ~ 255 Available when Color Temperature is USER1 or USER2.
Red Bias	VWB:RBS****	Not avail	QWB:RBS	QWB:RBS****	Not avail	-127 ~ 0000 ~ 0128	-127 ~ 128 Available when Color Temperature is USER1 or USER2.		

P i c t u r e	Picture Adjustment	Green Bias	VWB:GBS****	Not avail	QWB:GBS	QWB:GBS****	Not avail	-127 ~ 0000 ~ 0128	-127 ~ 128 Available when Color Temperature is USER1 or USER2.
		Blue Bias	VWB:BBS****	Not avail	QWB:BBS	QWB:BBS****	Not avail	-127 ~ 0000 ~ 0128	-127 ~ 128 Available when Color Temperature is USER1 or USER2.
		color management	VWB:CMF*	Not avail	QWB:CMF	QWB:CMF*	Not avail	0 / 1 / 2	0 : off 1 : 6-segment 2 : 12-segment
		6-segment color management select color	VWB:CML* **** **** ****	Not avail	QWB:CML*	QWB:CML* **** **** ****	Not avail	R / Y / G / C / B / M -127 ~ 0000 ~ 0127 -127 ~ 0000 ~ 0127 -127 ~ 0000 ~ 0127	Red / Yellow / Green / Cyan / Blue / Magenta TINT : -127 ~ 127 SATURATION : -127 ~ 127 VALUE : -127 ~ 127 Available when color management is 6-segment.
		6-segment color management reset	VWB:CMR	Not avail	-	-	Not avail	-	Available when color management is 6-segment.
		12-segment color management select color	VWB:CWL** **** **** ****	Not avail	QWB:CWL**	QWB:CWL** **** **** ****	Not avail	RR/R/RY/YY/YG/GG/GC/CC/CB/BB/BM/MM/MR -127 ~ 0000 ~ 0127 -127 ~ 0000 ~ 0127 -127 ~ 0000 ~ 0127	Red / Red-Yellow / Yellow / Yellow-Green / Green / Green-Cyan / Cyan / Cyan-Blue / Blue / Blue-Magenta / Magenta / Magenta-Red TINT : -127 ~ 127 SATURATION : -127 ~ 127 VALUE : -127 ~ 127 Available when color management is 12-segment.
		12-segment color management reset	VWB:CWR	Not avail	-	-	Not avail	-	Available when color management is 12-segment.
		Dynamic Contrast	VPC:DCO**	Not avail	QPC:DCO	QPC:DCO**	Not avail	00 ~ 10	0 ~ 10
		Color Enhancement	VPC:PAJ*	Not avail	QPC:PAJ	QPC:PAJ*	Not avail	0 / 1	OFF / ON
		Refine enhancer	VPC:SRC*	Not avail	QPC:SRC	QPC:SRC*	Not avail	0 / 1 / 2 / 3	OFF / Low / Mid / High
Gradation smoother	VPC:GRS*	Not avail	QPC:GRS	QPC:GRS*	Not avail	0 / 1	0 : off / 1 : on		
Memory function	Memory delete	VPF:DEL**	Not avail	-	-	Not avail	01 ~ 06	Memory No.1 - Memory No.6	
	Memory load	VPF:LOD**	Not avail	-	-	Not avail	01 ~ 06	Memory No.1 - Memory No.6	
	Memory name change	VPF:NAM** *...*	Not avail	QPF:NAM**	QPF:NAM** *...*	Not avail	01 ~ 06 space ! " # \$ % & ' () * + , - . / 0 1 2 3 4 5 6 7 8 9 : ; < = > ? @ A B C D E F G H I J K L M N O P Q R S T U V W X Y Z [\] ^ _ ` a b c d e f g h i j k l m n o p q r s t u v w x y z { } ~	Memory No.1 - Memory No.6 Memory name(Max 20 Parameters)	

P i c t u r e	Memory function	Memory save	VPF:SAV** *...*	Not avail	-	-	-	01 ~ 06 space ! " # \$ % & ' () * + , - . / 0 1 2 3 4 5 6 7 8 9 : ; < = > ? @ A B C D E F G H I J K L M N O P Q R S T U V W X Y Z [\] ^ _ ` a b c d e f g h i j k l m n o p q r s t u v w x y z { } ~	Memory No.1 - Memory No.6 Memory name(Max 20 Parameters)
		Memory state	-	-	QPF:STA	QPF:STA*****	Not avail	- / 0 (Memory No.1 - No.06)	Unused / Use
S o u n d	Sound Adjustment	Output Select	AAC:OUT***	Not avail	QAC:OUT	QAC:OUT***	Not avail	SPO / EXS / LNO	INTERNAL SPEAKERS / EXTERNAL SPEAKERS / AUDIO OUT
		Balance	AAC:BAL***	Not avail	QAC:BAL	QAC:BAL***	Not avail	-20 ~ 000 ~ +20(020)	-20 ~ 20 Available when Output Select is Not AUDIO OUT.
		Sound Mode	AAC:MEN***	Not avail	QAC:MEN	QAC:MEN***	Not avail	STD(AUT) / DYN / CLR	STANDARD / DYNAMIC / CLEAR Available when Output Select is Not AUDIO OUT.
		Bass	AAC:BAS***	Not avail	QAC:BAS	QAC:BAS***	Not avail	-20 ~ 000 ~ +20(020)	-20 ~ 20 Available when Output Select is Not AUDIO OUT.
		Treble	AAC:TRE***	Not avail	QAC:TRE	QAC:TRE***	Not avail	-20 ~ 000 ~ +20(020)	-20 ~ 20 Available when Output Select is Not AUDIO OUT.
		Surround	AAC:SUR***	Not avail	QAC:SUR	QAC:SUR***	Not avail	MON / OFF	ON / OFF Available when Output Select is Not AUDIO OUT.
		Auto Volume * (98/86SQ1 only) Main software version 4.0000 or later	AAC:ATV***	Not avail	QAC:ATV	QAC:ATV***	Not avail	OFF / LOW / MID / HIG	Off / Low / Middle / High
		Installation * (98/86SQ1 only) Main software version 4.0000 or later	AAC:IST***	Not avail	QAC:IST	QAC:IST***	Not avail	STD / WMT	Stand / Wall mounted

P o s i t i o n	Position/Size Adjustment	Horizontal Position	DGE:HPO****	Not avail	QGE:HPO	QGE:HPO****	Not avail	-100 ~ 0000 ~ +100(0100)	H-Pos : -100 - 0000 - +100(0100)
		Horizontal Size	DGE:HSZ****	Not avail	QGE:HSZ	QGE:HSZ****	Not avail	-100 ~ 0000 ~ +100(0100)	H-Size : -100 - 0000 - +100(0100)
		Vertical Position	DGE:VPO****	Not avail	QGE:VPO	QGE:VPO****	Not avail	-100 ~ 0000 ~ +100(0100)	V-Pos : -100 - 0000 - +100(0100)
		Vertical Size	DGE:VSZ****	Not avail	QGE:VSZ	QGE:VSZ****	Not avail	-100 ~ 0000 ~ +100(0100)	V-Size : -100 - 0000 - +100(0100)
		Clock Phase	DGE:CLK**	Not avail	QGE:CLK	QGE:CLK**	Not avail	00 ~ 30	0 ~ 30
		Dot Clock	DGE:DCL**	Not avail	QGE:DCL	QGE:DCL**	Not avail	-5 ~ 00 ~ +5(05)	-5 ~ 5
		Overscan	DGE:OVS*	Not avail	QGE:OVS	QGE:OVS*	Not avail	0 / 1	OFF / ON
		Pos./Size Lump Setting	DGE:PSZ**** **** **** ****	Not avail	QGE:PSZ	QGE:PSZ**** **** **** ****	Not avail	-100 ~ 0000 ~ +100(0100), -100 ~ 0000 ~ +100(0100), -100 ~ 0000 ~ +100(0100), -100 ~ 0000 ~ +100(0100)	H-Pos : -100 - 0000 - +100(0100) H-Size : -100 - 0000 - +100(0100) V-Pos : -100 - 0000 - +100(0100) V-Size : -100 - 0000 - +100(0100)
		Auto Setup	DGE:ASU *	Not avail	QGE:ASU	QGE:ASU **	Not avail	Control: 1 Inquiry: OK NG OF NW	Control: 1 : Execution start Inquiry: OK : result OK NG : result NG OF : Un-performing or when not effective NW : adjusting
		PC auto setting	OSP:PAS*	Not avail	QSP:PAS	QSP:PAS*	Not avail	0 / 1	OFF / ON
setu p	Setup	Input lock	OSP:INL***	Not avail	QSP:INL	QSP:INL***	Not avail	OFF/HM1/HM2/DPI/DL1/DV1/SL1/PC1/NW1/UD1/ MV1/MUI * NW1 : (98/86SQ1 only) Main software version 4.0000 or later	OFF / HDMI1 / HDMI2 / DisplayPort / DIGITAL LINK / DVI-D / SLOT / PC / Screen Transfer / USB / MEMORY VIEWER / Multi input
		Off-timer function	OSP:OFT*	Not avail	QSP:OFT	QSP:OFT*	Not avail	0 / 1	OFF / ON
		No activity power off	SSU:NAO*	Not avail	QSU:NAO	QSU:NAO*	Not avail	0 / 1	OFF / ON

setu p	Setup	OSD Language	SSU:LNG***	Not avail	QSU:LNG	QSU:LNG***	Not avail	ENG / DEU / FRA / ITL(ITA) / ESP / USA / CHA / JPN / RUS	English (UK) / German / French / Italian / Spanish / English (US) / Chinese/Japanese / Russian
		Display Orientation	SSU:DOR*	Not avail	QSU:DOR	QSU:DOR*	Not avail	0 / 1 / 2	Landscape / Portrait / Auto
		Display Orientation(Actual orientation) * (98/86SQ1 only) Main software version 3.0000 or later	-	-	QSU:DOV	QSU:DOV*	Not avail	0 / 1	Landscape / Portrait
		Image rotation	SSU:IMR*	Not avail	QSU:IMR	QSU:IMR*	Not avail	0 / 1	Off / 180 degrees
		Maximum VOL level	OSP:MVL****	Not avail	QSP:MVL	QSP:MVL****	Not avail	0 / 1, 000 ~ 100	function : OFF / ON, volume : 0~100
		Button lock	OSP:BTL***	Not avail	QSP:BTL	QSP:BTL***	Not avail	OFF / MEN / ALL	OFF / MENU&ENTER / ON
		Controller User level	OSP:RCM*	Not avail	QSP:RCM	QSP:RCM*	Not avail	0 / 1 / 2 / 3	OFF / User1 / User2 / User3
		DVI-D/SLOT select	SSU:IDS***	Not avail	QSU:IDS	QSU:IDS***	Not avail	DV1/SL1	DV1 : DVI-D SL1 : SLOT When the parameter of each setting is DVI-D or SLOT, inputs not selected by DVI-D / SLOT select can be set for each setting but will not operate.
		USB select	SSU:SWU***	Not avail	QSU:SWU	QSU:SWU***	Not avail	MP1/MP2	MP1 : USBPort MP1 MP2 : USBPort MP2
		Quick input change mode	SSU:FIC*	Not avail	QSU:FIC	QSU:FIC*	Not avail	0 / 1	0 : OFF 1 : ON

setu p	Multi display settings	Multi Screen ON/OFF	MDC:*	Not avail	-	-	-	0 / 1	OFF / ON
		Multi Input ON/OFF	MDC:MID*	Not avail	QDC:MID	QDC:MID*	Not avail	0 / 1	OFF / ON Not available control command when input lock is Multi input.
		Display Type settings	MDC:MDY*	Not avail	QDC:MDY	QDC:MDY*	Not avail	0 / 1	0 : Multi Screen 1 : Multi Input
		Display Format	MDC:SDF*	Not avail	QDC:SDF	QDC:SDF*	Not avail	0 / 1 / 2	0 : 4 input display 1 : Picture in picture 2 : Picture by picture
		Multi Screen Setup Detail	MDC:EXP* ** ** *** *** ***	Not avail	QDC:EXP	QDC:EXP* ** ** *** *** ***	Not avail	0 / 1, 01 ~ 10, 01 ~ 10, 000 ~ 100, 000 ~ 100, 001 ~ 100	OFF / ON, Horizontal scale 1~10, Vertical scale 1~10, Bezel H adjustment 0~100, Bezel V adjustment 0~100, Location (A1~J10)
		4 input display Setup Detail	MDC:4IN* *** *** *** *** ***	Not avail	QDC:4IN	QDC:4IN* *** *** *** *** ***	Not avail	0 / 1 HM1/HM2/DP1/DV1/SL1/PC1 HM1/HM2/DP1/DV1/SL1/PC1 HM1/HM2/DP1/DV1/SL1/PC1 HM1/HM2/DP1/DV1/SL1/PC1 OFF / UPL / UPR / LOL / LOR / AI1 / AI2	OFF / ON Input(Upper/left) : HDMI1 / HDMI2 / DisplayPort / DVI-D / SLOT / PC Input(Upper/right) : HDMI1 / HDMI2 / DisplayPort / DVI-D / SLOT / PC Input(Lower/left) : HDMI1 / HDMI2 / DisplayPort / DVI-D / SLOT / PC Input(Lower/right) : HDMI1 / HDMI2 / DisplayPort / DVI-D / SLOT / PC Sound output : OFF / Upper/Left / Upper/Right / Lower/Left / Lower/Right / AUDIO IN1 / AUDIO IN2 Not available control command when input lock is Multi input.
		Picture in picture Setup Detail	MDC:PIP* * *** *** ***	Not avail	QDC:PIP	QDC:PIP* * *** *** ***	Not avail	0 / 1 0 / 1 / 2 / 3 HM1/HM2/DP1/DV1/SL1/PC1 HM1/HM2/DP1/DV1/SL1/PC1 OFF / MAN / SUB / AI1 / AI2	OFF / ON Sub picture location : Upper/Left / Upper/Right / Lower/Left / Lower/Right Input(Main) : HDMI1 / HDMI2 / DisplayPort / DVI-D / SLOT / PC Input(Sub) : HDMI1 / HDMI2 / DisplayPort / DVI-D / SLOT / PC Sound output : OFF / Main / Sub / AUDIO IN1 / AUDIO IN2 Not available control command when input lock is Multi input.
Picture by picture Setup Detail	MDC:PBP* * *** *** ***	Not avail	QDC:PBP	QDC:PBP* * *** *** ***	Not avail	0 / 1 0 / 1 HM1/HM2/DP1/DV1/SL1/PC1 HM1/HM2/DP1/DV1/SL1/PC1 OFF / IN1 / IN2 / AI1 / AI2	OFF / ON Picture location : Upper/Lower / Left/Right Input(Upper) / Input(Left) : HDMI1 / HDMI2 / DisplayPort / DVI-D / SLOT / PC Input(Lower) / Input(Right) : HDMI1 / HDMI2 / DisplayPort / DVI-D / SLOT / PC Sound output : OFF / Upper/(Left) / Lower/(Right) / AUDIO IN1 / AUDIO IN2 Not available control command when input lock is Multi input.		

setu p	Multi display settings	Multi input display position change	MDC:SDP*	Not avail	QDC:SDP	QDC:SDP*	0~3	<p>picture in picture 0 : Upper/Left 1 : Upper/Right 2 : Lower/Left 3 : Lower/Right</p> <p>Picture by picture 0 : Upper(Left) 1 : Lower(Right) 2~3 : Unsupported</p>
		Multi input display Input change	MDC:MIM + ***	Not avail	QDC:MIM+	QDC:MIM + ***	1~4 HM1 / HM2 / DP1 / DV1 / SL1 / PC1	<p>4 input display 1 : Input(Upper/left) 2 : Input(Upper/right) 3 : Input(Lower/left) 4 : Input(Lower/right)</p> <p>Picture in picture 1 : Input(Main) 2 : Input(Sub) 3~4 : Unsupported</p> <p>Picture by picture 1 : Input(Upper) / Input(Left) 2 : Input(Lower) / Input(Right) 3~4 : Unsupported</p> <p>HDMI1 / HDMI2 / Display Port / DVI / SLOT / PC</p>
		Multi input Audio out change	MDC:MAO*	Not avail	QDC:MAO	QDC:MAO*	0~6	<p>4 input display 0:OFF 1:Upper/left 2:Upper/right 3:Lower/left 4:Lower/right 5:AUDIO-IN1 6:AUDIO-IN2</p> <p>Picture in picture 0 : OFF 1 : Main 2 : Sub 3 : AUDIO-IN1 4 : AUDIO-IN2 5~6 : Unsupported</p> <p>Picture by picture 0 : OFF 1 : Input(Upper) / Input(Left) 2 : Input(Lower) / Input(Right) 3 : AUDIO-IN1 4 : AUDIO-IN2 5~6 : Unsupported</p>
		Multi Input Display Expansion	MDC:MTS*	Not avail	-	-	1 / 2 / 3 / 4	<p>Screen type : 4 input display 1 : Input(upper/left) 2 : Input(upper/right) 3 : Input(lower/left) 4 : Input(lower/right)</p> <p>Screen type : Picture in picture 1 : Input(main) 2 : Input(sub) 3 : Swap Input(main) and Input(Sub) 4 : Unsupported</p> <p>Screen type : Picture by picture 1 : Input(Upper) / Input(Left) 2 : Input(Lower) / Input(Right) 3 : Swap Input(Upper / Left) and Input(Lower / Right) 4 : Unsupported</p>

setu p	Portrait settings * (98/86SQ1 only) Main software version 3.0000 or later	Portrait display	DPR:*	Not avail	QPR	QPR:*	Not avail	0 / 1	OFF / ON
		Inquiry about Portrait display setup	-	-	QPR:DET	QPR:DET**	Not avail	0 / 1, 01 / 03	OFF / ON, Number of displays 1 / 3
		Portrait display setup (Number of displays : 1)	DPR:D01*	Not avail	QPR:D01	QPR:D01*	Not avail	0 / 1	OFF / ON
		Portrait display setup (Number of displays : 3)	DPR:D03* * *** **	Not avail	QPR:D03	QPR:D03* * *** **	Not avail	0 / 1, 1 / 2 / 3, 000 ~ 100, 01 ~ 03	OFF / ON, Display format Mode 1 / Mode 2 / Mode 3, Bezel adjustment 0~100, Location 1 ~ 3
	Signal	Sync Signal Setting	SSG:SNC ***	Not avail	QSG:SNC	QSG:SNC ***	Not avail	HAV / GRN / HVS	Available when PC is selected. Auto detection / On G(On Y) / Hvsync
		Cinema Reality 3:2 Pull Down	SSG:DCR*	Not avail	QSG:DCR	QSG:DCR*	Not avail	0 / 1	OFF / ON
		Noise Reduction	SSG:NRS***	Not avail	QSG:NRS	QSG:NRS***	Not avail	OFF / AUT / LOW / MID / HIG	OFF / Auto / Low / Middle / High
		MPEG Noise Reduction	SSG:MNR***	Not avail	QSG:MNR	QSG:MNR***	Not avail	OFF / LOW / MID / HIG	OFF / Low / Middle / High
		Input resolution(XGA/WXGA signal)	SSG:XGN*	Not avail	QSG:XGN	QSG:XGN*	Not avail	0 / 1 / 2 / 3 / 4	0 : AUTO 1 : 1024x768 2 : 1280x768 3 : 1360x768 4 : 1366x768
		Input resolution(SXGA+/WSXGA+ signal)	SSG:XGS*	Not avail	QSG:XGS	QSG:XGS*	Not avail	0 / 1 / 2	0 : AUTO 1 : 1400x1050 2 : 1680x1050 Available when corresponding signal is input signal.
		Input resolution(UXGA/WUXGA signal)	SSG:XGU*	Not avail	QSG:XGU	QSG:XGU*	Not avail	0 / 1 / 2	0 : AUTO 1 : 1600x1200 2 : 1920x1200 Available when corresponding signal is input signal.
		Signal Range	SSG:HRC***	Not avail	QSG:HRC	QSG:HRC***	Not avail	VID / FUL / AUT	(HDMI input) Video / FULL / Auto (DVI-D input) Video / FULL / Auto (Other input) not avail
		Component/RGB-IN Select	SSU:CMP***	Not avail	QSU:CMP	QSU:CMP***	Not avail	YBR / RGB	YBR Signal / RGB Signal Available when PC is selected.
YUV/RGB-IN Select	SSU:DYR***	Not avail	QSU:DYR	QSU:DYR***	Not avail	YUV / RGB / AUT	YUV Signal / RGB Signal / Auto Available when HDMI1/HDMI2/DisplayPort/DIGITAL LINK/DVI-D/SLOT is selected. Auto is Not available when DIGITAL LINK is selected.		

Signal	Input Level	VWB:ILV***	Not avail	QWB:ILV	QWB:ILV***	Not avail	-16 ~ 000 ~ +16(016)	-16 ~ 16
	FRAME CREATION (98/86/75SQ1 only)	VPC:FRC*	Not avail	QPC:FRC	QPC:FRC*	Not avail	0 / 1	OFF / ON
	Dynamic backlight control	SSG:DBC*	Not avail	QSG:DBC	QSG:DBC*	Not avail	0 / 1	OFF / ON
	EDID select	SSG:EID*	Not avail	QSG:EID	QSG:EID*	Not avail	0 / 1 / 2 / 3	0 : 4K/60p/SDR 1 : 4K/30p 2 : 2K 3 : 4K/60p/HDR
	Dynamic range	SSG:DNR*	Not avail	QSG:DNR	QSG:DNR*	Not avail	0 / 1 / 2 / 3	0 : Auto 1 : HDR(PQ) 2 : HDR(HLG) 3 : SDR
	Colour gamut	SSG:CLG*	Not avail	QSG:CLG	QSG:CLG*	Not avail	0 / 1 / 2	0 : Auto 1 : Native 2 : ITU-2020 emu.
Power on settings	Initial input	OSP:IIN***	Not avail	QSP:IIN	QSP:IIN***	Not avail	OFF /HM1/HM2/DP1/DL1/DV1/SL1/PC1/NW1/UD1/MV1/MUI * NW1 : (98/86SQ1 only) Main software version 4.0000 or later	OFF / HDMI1 / HDMI2 / DisplayPort / DIGITAL LINK / DVI-D / SLOT / PC / Screen Transfer / USB / MEMORY VIEWER / Multi input
	Initial Startup	OSP:ISU***	Not avail	QSP:ISU	QSP:ISU***	Not avail	LST PON STB	LST : Last memory(return to a front state) PON : ON STB : STANDBY
	Initial VOL level	OSP:IVL****	Not avail	QSP:IVL	QSP:IVL****	Not avail	0 / 1, 000 ~ 100	function : OFF / ON, volume : 0~100
	Power ON Screen Delay	OSP:POD**	Not avail	QSP:POD	QSP:POD**	Not avail	AT / 00 ~ 30	AT : Auto 0~30 : 0~30 seconds
	Information(No activity power off)	OSP:NAP*	Not avail	QSP:NAP	QSP:NAP*	Not avail	0 / 1	OFF / ON
	Information(Power management)	OSP:PMM*	Not avail	QSP:PMM	QSP:PMM*	Not avail	0 / 1	OFF / ON
Information(Display upside-down) * (98/86SQ1 only) Main software version 3.0000 or later	OSP:DUD*	Not avail	QSP:DUD	QSP:DUD*	Not avail	0 / 1	OFF / ON	

Input search	Input search	ISH:FNC***	Not avail	QSH:FNC	QSH:FNC***	Not avail	OFF / ALL / PRI / IDC	OFF / ALL inputs / Custom / Input detection
	1st search input	ISH:PRI***	Not avail	QSH:PRI	QSH:PRI***	Not avail	NON / HM1/HM2/DP1/DL1/DV1/SL1/PC1/UD1	NONE / HDMI1 / HDMI2 / DisplayPort / DIGITAL LINK / DVI-D / SLOT / PC / USB
	2nd search input	ISH:SCI***	Not avail	QSH:SCI	QSH:SCI***	Not avail	NON / HM1/HM2/DP1/DL1/DV1/SL1/PC1/UD1	NONE / HDMI1 / HDMI2 / DisplayPort / DIGITAL LINK / DVI-D / SLOT / PC / USB
	Detect digital input	ISH:DIN*** +	Not avail	QSH:DIN***	QSH:DIN***+	Not avail	***:HM1/HM2/DP1/DL1/DV1/PC1 +:0 / 1	HDMI1 / HDMI2 / DisplayPort / DIGITAL LINK / DVI-D / PC OFF / ON
	Changing delay	ISH:CGD**	Not avail	QSH:CGD	QSH:CGD**	Not avail	00 / 01 / 02 / 03 / 04 / 05 / 06 / 07 / 08 / 09 / 10	00 : OFF 01~10 : changing time(sec)
Failover / Failback	Input Change Mode Off	SBI:OFF (NON NON *)	Not avail	QBI	QBI:OFF NON NON *	Not avail	0	0: Disable (Auto switch back mode)
	Input Change Mode Quick	SBI:QIC (*** *** *)	Not avail	QBI	QBI:QIC *** *** *	Not avail	NON / HM1/HM2/DP1/DV1/SL1 NON / HM1/HM2/DP1/DV1/SL1 0 / 1	Primary backup input : (None) / HDMI1 / HDMI2 / DisplayPort / DVI-D / SLOT Secondary backup input : (None) / HDMI1 / HDMI2 / DisplayPort / DVI-D / SLOT Auto switch back mode : 0: Disable / 1 : Enable
	Input Change Mode Normal	SBI:NOR (*** *** *)	Not avail	QBI	QBI:NOR *** *** *	Not avail	NON / HM1/HM2/DP1/DL1/DV1/SL1/PC1/UD1 NON / HM1/HM2/DP1/DL1/DV1/SL1/PC1/UD1 0 / 1	Primary backup input : (None) / HDMI1 / HDMI2 / DisplayPort / DIGITAL LINK / DVI-D / SLOT / PC / USB Secondary backup input : (None) / HDMI1 / HDMI2 / DisplayPort / DIGITAL LINK / DVI-D / SLOT / PC / USB Auto switch back mode : 0: Disable / 1 : Enable
	Changing mode	SBI:CHM*	Not avail	QBI:CHM	QBI:CHM*	Not avail	2 / 1	High speed / Normal speed When [Quick] is selected, [Changing mode] can be adjusted.
	Backup Input Status	-	-	QBI:STS	QBI:STS * *** *	Not avail	0 / 1 NON / HM1/HM2/DP1/DL1/DV1/SL1/PC1/UD1 0 / 1 / 2	0: inactive / 1: active (Status) Main Input : HDMI1 / HDMI2 / DisplayPort / DIGITAL LINK / DVI-D / SLOT / PC / VIDEO / USB / MEMORY VIEWER 0: Main Input / 1: Primary Backup input / 2: Secondary Backup input (Current Input Status)
	Backup Input Signal Status	-	-	QBI:SIG	QBI:SIG * * *	Not avail	0 / 1 0 / 1 0 / 1	0 : no signal / 1 : not no signal (Main input) 0 : no signal / 1 : not no signal (Primary backup input) 0 : no signal / 1 : not no signal (Secondary backup input) When Input change mode is not Off
	Manual Switch Back	BIP:FSB	Not avail	-	-	Not avail	-	Enable when Input change mode is not Off and Auto switch back mode is Disable.

setu p	Screensaver	Screensaver ON/OFF	OSP:SCR*	Not avail	QSP:SCR	QSP:SCR*	Not avail	0 / 5	0 : stop 5 : operating
		Screensaver Mode	SSC:MOD*	Not avail	QSC:MOD	QSC:MOD*	Not avail	0 / 1 / 2 / 3 / 4	0:OFF 1:Interval 2:Time Designation 3:ON 4:Standby after Screensaver
		Interval Screensaver	SSC:INT**** ****	Not avail	QSC:INT	QSC:INT**** ****	Not avail	0000 ~ 2359, 0000 ~ 2359	Periodic time Operating time
		Time Designation Screensaver	SSC:TIM**** ****	Not avail	QSC:TIM	QSC:TIM**** ****	Not avail	0000 ~ 2359, 0000 ~ 2359	Start time Finish time
		Standby after Screensaver	SSC:AOF****	Not avail	QSC:AOF	QSC:AOF****	Not avail	0000 ~ 2359	Time of operation(hour:minute)
		Wobbling	OSP:WOB*	Not avail	QSP:WOB	QSP:WOB*	Not avail	0 / 1	OFF / ON
	Input label	Set Label for Current Input	SSU:ILA***	Not avail	QSU:ILA	QSU:ILA***	Not avail	INP / PCN / DV1 / DV2 / DV3 / BD1 / BD2 / BD3 / CTV / VCR / STB / SKP	reset input name(Except PC) / reset input name(for PC) DVD1 / DVD2 / DVD3 / Blu-ray1 / Blu-ray2 / Blu-ray3 / CATV / VCR / STB / (Skip)
		Set Label for EACH INPUT	SSU:ILA+++***	Not avail	QSU:ILA+++	QSU:ILA +++ ***	Not avail	+++ : HM1/HM2/DP1/DL1/DV1/SL1/PC1 *** : INP / PCN / DV1 / DV2 / DV3 / BD1 / BD2 / BD3 / CTV / VCR / STB / SKP	Input HDMI1 / HDMI2 / DisplayPort / DIGITAL LINK / DVI-D / SLOT / PC Not SLOT : Label reset(input other than PC) / Label reset(PC input) DVD1 / DVD2 / DVD3 / Blu-ray1 / Blu-ray2 / Blu-ray3 / CATV / VCR / STB / Skip SLOT : Label reset(INP) / Skip(SKP)
	Audio input select	for Current Input	SAI: A+++	Not avail	QAI	QAI:V*** A+++	Not avail	*** HM1/HM2/DP1/DL1/DV1/SL1/PC1/NW1 +++ HM1/HM2/DP1/DL1/SL1/NW1/AI1/AI2/NAD * NW1 : (98/86SQ1 only) Main software version 4.0000 or later	HDMI1 / HDMI2 / DisplayPort / DIGITAL LINK / DVI-D / SLOT / PC / Screen Transfer HDMI1 / HDMI2 / DisplayPort / DIGITAL LINK / SLOT / Screen Transfer / AUDIO-IN1 / AUDIO-IN2 / NO AUDIO
		for EACH INPUT	SAI:V*** A+++	Not avail	QAI:V***	QAI:V*** A+++	Not avail	*** HM1/HM2/DP1/DL1/DV1/SL1/PC1/NW1 +++ HM1/HM2/DP1/DL1/SL1/NW1/AI1/AI2/NAD * NW1 : (98/86SQ1 only) Main software version 4.0000 or later	HDMI1 / HDMI2 / DisplayPort / DIGITAL LINK / DVI-D / SLOT / PC / Screen Transfer HDMI1 / HDMI2 / DisplayPort / DIGITAL LINK / SLOT / Screen Transfer / AUDIO-IN1 / AUDIO-IN2 / NO AUDIO
	Power management settings	Power Management Mode	SSU:ECS*	Not avail	QSU:ECS	QSU:ECS*	Not avail	0 / 1 / 2	CUSTOM / ON / Input detection
		No Signal Power Off	SSU:AOF*	Not avail	QSU:AOF	QSU:AOF*	Not avail	0 / 1	OFF / ON

setu p	Power management settings	HDMI1 Power Management	SSU:D1H*	Not avail	QSU:D1H	QSU:D1H*	Not avail	0 / 1	OFF / ON
		HDMI2 Power Management	SSU:D2H*	Not avail	QSU:D2H	QSU:D2H*	Not avail	0 / 1	OFF / ON
		DisplayPort Power Management	SSU:D1P*	Not avail	QSU:D1P	QSU:D1P*	Not avail	0 / 1	OFF / ON
		DIGITAL LINK Power Management	SSU:D1L*	Not avail	QSU:D1L	QSU:D1L*	Not avail	0 / 1	OFF / ON
		DVI-D Power Management	SSU:D1V*	Not avail	QSU:D1V	QSU:D1V*	Not avail	0 / 1	OFF / ON
		PC Power Management	SSU:DPM*	Not avail	QSU:DPM	QSU:DPM*	Not avail	0 / 1	OFF / ON
		Power Save	SSU:ECO*	Not avail	QSU:ECO	QSU:ECO*	Not avail	0 / 1	OFF / ON
		Extended standby mode	SSU:ESM*	Not avail	QSU:ESM	QSU:ESM*	Not avail	0 / 1	OFF / ON
		Changing delay	SSU:CGD**	Not avail	QSU:CGD	QSU:CGD**	Not avail	00 / 01 / 02 / 03 / 04 / 05 / 06 / 07 / 08 / 09 / 10	00 : OFF 01~10 : 切替時間(秒)
		HDMI-CEC settings	HDMI-CEC control	SHC:FNC*	Not avail	QHC:FNC	QHC:FNC*	Not avail	0 / 1
HDMI1 (change device)	SHC:HM1***		Not avail	-	-	-	NXT / PRE	Change to next device / Change to previous device	
HDMI1 (get device name)	-		-	QHC:HM1	QHC:HM1*...*	Not avail	space ! " # \$ % & ' () * + , - . / 0 1 2 3 4 5 6 7 8 9 : ; < = > ? @ A B C D E F G H I J K L M N O P Q R S T U V W X Y Z [\] ^ _ ` a b c d e f g h i j k l m n o p q r s t u v w x y z { } -	Device name (Max 23 Parameters)	
HDMI2 (change device)	SHC:HM2***		Not avail	-	-	-	NXT / PRE	Change to next device / Change to previous device	
HDMI2 (get device name)	-		-	QHC:HM2	QHC:HM2*...*	Not avail	space ! " # \$ % & ' () * + , - . / 0 1 2 3 4 5 6 7 8 9 : ; < = > ? @ A B C D E F G H I J K L M N O P Q R S T U V W X Y Z [\] ^ _ ` a b c d e f g h i j k l m n o p q r s t u v w x y z { } -	Device name (Max 23 Parameters)	
SLOT (change device) * (98/86SQ1 only) Main software version 3.0000 or later	SHC:SL1***		Not avail	-	-	-	NXT / PRE	Change to next device / Change to previous device	

setu p	HDMI-CEC settings	SLOT (get device name) * (98/86SQ1 only) Main software version 3.0000 or later	-	-	QHC:SL1	QHC:SL1*...*	Not avail	space ! " # \$ % & ' () * + , - . / 0 1 2 3 4 5 6 7 8 9 : ; < = > ? @ A B C D E F G H I J K L M N O P Q R S T U V W X Y Z [\] ^ _ ` a b c d e f g h i j k l m n o p q r s t u v w x y z { } -	Device name (Max 23 Parameters)
		MENU code	SHC:MNC*	Not avail	QHC:MNC	QHC:MNC*	Not avail	1 / 2 / 3 / 4 / 5 / 6	1 / 2 / 3 / 4 / 5 / 6
		Display → Device	SHC:PTS***	Not avail	QHC:PTS	QHC:PTS***	Not avail	OFF / POF / PWR	"Disable" / "Power off" / "Power on / off"
		Device → Display	SHC:STP***	Not avail	QHC:STP	QHC:STP***	Not avail	OFF / PON / PWR	"Disable" / "Power on" / "Power on / off"
	Image settings Startup image settings	Display setting	SCI:SIM*	Not avail	QCI:SIM	QCI:SIM*	Not avail	0 / 1	OFF / ON
		Image select	SCI:SCG*	Not avail	QCI:SCG	QCI:SCG*	Not avail	0 / 1	0 : Default image 1 : User image
	Image settings No signal image settings	Display setting	SCI:NIM*	Not avail	QCI:NIM	QCI:NIM*	Not avail	0 / 1	OFF / ON
		Image select	SCI:NCG*	Not avail	QCI:NCG	QCI:NCG*	Not avail	0 / 1	0 : Default image 1 : User image
	Set up timer	Timer Setup Detail	TIM:PRG** * *** *** **** ***	Not avail	QIM:PRG**	QIM:PRG** * *** *** **** ***	Not avail	01 ~ 20, 0 / 1, SUN / MON / TUE / WED / THU / FRI / SAT / EVD / WDA / WEN / CUS, PON / POF, 0000 ~ 2359, HM1/HM2/DP1/DL1/DV1/SL1/PC1/NW1/UD1/MV1 /MUI * NW1 : (98/86SQ1 only) Main software version 4.0000 or later	Program number : 1~20, Function : OFF / ON, (*Inquiry Command reply, A lower parameter is not given when the upper setup is "OFF.") a day of the week : Sunday / Monday / Tuesday / Wednesday / Thursday / Friday / Saturday / Everyday / Weekday / Weekend / Custom (*Custom can't be set with Control Command. However, after setting, the day on the menu is "Custom".) (*The day of the inquiry response is "Custom" only if it doesn't apply to any of Monday through Weekend.) Action type : PON / POF, Time : hour, minute, Start-up input : HDMI1 / HDMI2 / DisplayPort / DIGITAL LINK / DVI-D / SLOT / PC / Screen Transfer / USB / MEMORY VIEWER / Multi input

setu p	Set up timer	Multiple day specification	TIM:PRC** * * * * * * * * * *** **** ***	Not avail	QIM:PRC**	QIM:PRC** * * * * * * * * * *** **** ***	Not avail	01 ~ 20, 0 / 1, 0 / 1, 0 / 1, 0 / 1, 0 / 1, 0 / 1, 0 / 1, 0 / 1, 0 / 1, PON / POF, 0000 ~ 2359, HM1/HM2/DP1/DL1/DV1/SL1/PC1/NW1/UD1/MV1 /MUI * NW1 : (98/86SQ1 only) Main software version 4.0000 or later	Program number : 1~20, Function : OFF / ON, (*A lower parameter is not given when the upper setup is "OFF.") Monday : OFF / ON, Tuesday : OFF / ON, Wednesday : OFF / ON, Thursday : OFF / ON, Friday : OFF / ON, Saturday : OFF / ON, Sunday : OFF / ON, Action type : PON / POF, Time : hour, minute, Start-up input : HDMI1 / HDMI2 / DisplayPort / DIGITAL LINK / DVI-D / SLOT / PC / Screen Transfer / USB / MEMORY VIEWER / Multi Input
	Date and time	Present Day	-	-	QIM:DAY	QIM:DAY***	Not avail	SUN / MON / TUE / WED / THU / FRI / SAT	(a day of the week): Sunday / Monday / Tuesday / Wednesday / Thursday / Friday / Saturday
		Present Time	-	-	QIM:NOW	QIM:NOW****	Not avail	0000 ~ 2359	Present time (hour:minute)
		DAY TIME	TIM:DAT**** ** ** ** **	Not avail	QIM:DAT	QIM:DAT**** ** ** ** **	Not avail	YYYY : 2018 ~ 2035 MM : 01 ~ 12 DD : 01 ~ 31 hh : 00 ~ 23 mm : 00 ~ 59	(Year) (Month) (Day) (Hour) (Minute) format is "YYYYMMDDhhmm "
		Clock Display	OSP:CLK*	Not avail	QSP:CLK	QSP:CLK*	Not avail	0 / 1	OFF / ON
		Synchronize display	TIM:SDM*	Not avail	QIM:SDM	QIM:SDM*	Not avail	0 / 1	Off / On
		Parent or child setting	TIM:PCS*	Not avail	QIM:PCS	QIM:PCS*	Not avail	0 / 1	Child / Parent
	Network settings	Serial Control	SCT:SEC***	Not avail	QCT:SEC	QCT:SEC***	Not avail	SE1 / DL1 / SL1	Serial in / DIGITAL LINK / SLOT
		Network Control	SSU:NCT*	Not avail	QSU:NCT	QSU:NCT*	Not avail	0 / 1	OFF / ON Setting to Off while connected with LAN might disconnect the connection.
		Auto Display Name	SSU:ADN*	Not avail	QSU:ADN	QSU:ADN*	Not avail	0 / 1	OFF / ON
		Display name	SSU:LDN *...*	Not avail	QSU:LDN	QSU:LDN *...*	Not avail	space ! " # \$ % & ' () * + , - . / 0 1 2 3 4 5 6 7 8 9 : ; < = > ? @ A B C D E F G H I J K L M N O P Q R S T U V W X Y Z [\] ^ _ ` a b c d e f g h i j k l m n o p q r s t u v w x y z { } -	DISPLAY NAME(Max 8 Parameters)

setu p	USB media player settings	USB media player	SUS:UMP*	Not avail	QUS:UMP	QUS:UMP*	Not avail	0 / 1	Disable / Enable
		Schedule play function	SUS:SPF*	Not avail	QUS:SPF	QUS:SPF*	Not avail	0 / 1	Disable / Enable
		Video Playback Mode	SUS:VPB*	Not avail	QUS:VPB	QUS:VPB*	Not avail	0 / 1	Standard / Adjust
		Still picture rotation	SUS:STR*	Not avail	QUS:STR	QUS:STR*	Not avail	0 / 1 / 2	Landscape / Portrait / Exif information
		Resume play	SUS:RSP*	Not avail	QUS:RSP	QUS:RSP*	Not avail	0 / 1	OFF / ON
		Slide show duration	SUS:SSD***	Not avail	QUS:SSD	QUS:SSD***	Not avail	010 ~ 600	10 - 600 seconds (5 second unit)
		Play mode	SUS:SPM*	Not avail	QUS:SPM	QUS:SPM*	Not avail	0 / 1	Individual play / Synchronize play
		get Schedule play mode	-	-	QUS:CMS	QUS:CMS*	Avail	0 / 1	Normal mode / Schedule play mode (standby : Normal standby / Schedule wait standby)
	Memory viewer settings	Memory viewer function	SMS:MVF*	Not avail	QMS:MVF	QMS:MVF*	Not avail	0 / 1	Disable / Enable
		View	SMS:VIE***	Not avail	QMS:VIE	QMS:VIE***	Not avail	THU / LIS	Thumbnail / List
		Content select	SMS:CON***	Not avail	QMS:CON	QMS:CON***	Not avail	STL / VID / AUD / ALL / SAV / SAA / VAA	Picture / Video / Audio / All / Picture/Video / Picture/Audio / Video/Audio
		Sort type	SMS:TYP***	Not avail	QMS:TYP	QMS:TYP***	Not avail	DAT / NAM	Date / Name
		Sort order	SMS:ODR***	Not avail	QMS:ODR	QMS:ODR***	Not avail	ASD / DSD	Ascending / Descending
		Play method	SMS:RPT***	Not avail	QMS:RPT	QMS:RPT***	Not avail	NON / ONE / ALL / RAN / SEL / PRG	None / Repeat one file / Repeat all files / Random / Select / Program
		Picture duration	SMS:SSD***	Not avail	QMS:SSD	QMS:SSD***	Not avail	010 ~ 600	10 - 600 seconds (5 second unit)

setu p	Memory viewer settings	Auto display content info	SMS:INF*	Not avail	QMS:INF	QMS:INF*	Not avail	0 / 1	OFF / ON
		Auto display operation guide	SMS:GUI*	Not avail	QMS:GUI	QMS:GUI*	Not avail	0 / 1	OFF / ON
	Screen Transfer settings * (98/86SQ1 only) Main software version 4.0000 or later	Screen Transfer function	SSU:STF*	Not avail	QSU:STF	QSU:STF*	Not avail	0 / 1	Disable / Enable
		Cut in	SSU:STC*	Not avail	QSU:STC	QSU:STC*	Not avail	0 / 1	OFF / ON
		PIN code	SSU:STP*	Not avail	QSU:STP	QSU:STP*	Not avail	0 / 1	OFF / ON
	Function button settings	Function Group	OSP:KGR***	Not avail	QSP:KGR	QSP:KGR***	Not avail	INP / MEM / ACT	INPUT / MEMORY / ACTION & MENU(SHORTCUT)
		Function Button Settings	OSP:KFN* ***	Not avail	QSP:KFN*	QSP:KFN* ***	Not avail	1 - 6 (SHORT CUT) SIG / SSV / SUT / LNS / ECO / OSH / MLT / PRT / DZM / MSW / DID / HCO / PLE (INPUT) HM1/HM2/DP1/DL1/DV1/SL1/PC1/NW1/UD1/MV1 * PRT : (98/86SQ1 only) Main software version 3.0000 or later * NW1 : (98/86SQ1 only) Main software version 4.0000 or later	setup to FUNCTION KEY 1 - 6 (ACTION & MENU) SIG : Signal menu SSV : Screensaver menu SUT : Timer setup menu LNS : Network settings menu ECO : Power management settings menu OSH : AV Mute MLT : Multi display settings menu PRT : Portrait settings menu DZM : Digital zoom MSW : Multi display switching DID : Display ID & Display Name HCO : HDMI-CEC operation PLE : Playlist edit (INPUT) HM1 : HDMI1 HM2 : HDMI2 DP1 : DisplayPort DL1 : DIGITAL LINK DV1 : DVI-D SL1 : SLOT PC1 : PC NW1 : Screen Transfer UD1 : USB MV1 : MEMORY VIEWER
		Function guide Settings	OSP:KFG*	Not avail	QSP:KFG	QSP:KFG*	Not avail	0 / 1	OFF / ON
	OSD settings	Menu Position	SSU:OPS*	Not avail	QSU:OPS	QSU:OPS*	Not avail	1 / 2 / 3	1:Left(Landscape) / Upper(Portrait) 2:Center 3:Right(Landscape) / Lower(Portrait)
		Menu Display Duration	SSU:MDT***	Not avail	QSU:MDT	QSU:MDT***	Not avail	005 ~ 180	Timeout time of a menu display 5 - 180 seconds (5 second unit)
		On screen display	OSP:OSD*	Not avail	QSP:OSD	QSP:OSD*	Not avail	0 / 1	OFF / ON

setu p	OSD settings	OSD Transparency	SSU:MTL***	Not avail	QSU:MTL	QSU:MTL***	Not avail	000 ~ 100	Transmissivity of a menu 0 ~ 100% (10% unit)
		OSD memory * Main software version 4.0000 or later	SSU:OMY*	Not avail	QSU:OMY	QSU:OMY*	Not avail	0 / 1	OFF / ON
	Control settings	Display ID	-	-	QID:DID	QID:DID***	Not avail	000 ~ 100	Display ID
		Serial ID function	SID:SID*	Not avail	QID:SID	QID:SID*	Not avail	0 / 1	OFF / ON
		Serial Response(Normal)	SCT:RIN*	Not avail	QCT:RIN	QCT:RIN*	Not avail	0 / 1	OFF / ON
		Serial Response(ID all)	SCT:RIA*	Not avail	QCT:RIA	QCT:RIA*	Not avail	0 / 1	OFF / ON
		Serial ID Setup (Serial ID Function and Display ID)	SIF:***	Not avail	QIF	QIF:***	Not avail	0 / 1 000~100	OFF / ON Display ID
	Information Timing	No Signal Warning	SIT:NSW*	Not avail	QIT:NSW	QIT:NSW*	Not avail	0 / 1	0: Off /1:On On:display sends out the no signal warning.(QST:NSW*)
		No Signal Warning Timing	SIT:SWT**	Not avail	QIT:SWT	QIT:SWT**	Not avail	01 ~ 60	01 ~ 60 (minutes)
		Query status :No Signal Warning Timing	-	Not avail	QST:NSW	QST:NSW*	Not avail	0 / 1	1: No Signal Warning: 0: No waring for this function. *Reply "0" when No Signal Warning is set "OFF".
		Message of No Signal Warning (Auto) While RS-232C controls: message sent on the display automatically.	-	Not avail	-	QST:NSW*	Not avail	0 / 1	1: No Signal Warning: 0: No waring for this function.
		No Signal Error	SIT:NSE*	Not avail	QIT:NSE	QIT:NSE*	Not avail	0 / 1	0: Off /1:On On:display sends out the no signal error..(QST:NSE*)
		No Signal Error Timing	SIT:SET**	Not avail	QIT:SET	QIT:SET**	Not avail	01 ~ 90	01 ~ 90 (minutes)
		Query status :No Signal Error Timing	-	Not avail	QST:NSE	QST:NSE*	Not avail	0 / 1	1: No Signal Error 0: No error for this function. *Reply "0" when No Signal Error is set "OFF".
Message of No Signal Error Timing (Auto) While RS-232C controls: message sent on the display automatically.	-	Not avail	-	QST:NSE*	Not avail	0 / 1	1: No Signal Error 0: No error for this function.		

setu p	Information Timing	Temperature Warning	SIT:TPW*	Not avail	QIT:TPW	QIT:TPW*	Not avail	0 / 1	0: Off / 1:On On:display sends out the warning temperature..(QST:TO*)	
		Query status :Temperature warning	-	Not avail	QST:TO	QST:TO*	Not avail	0 / 1	1: "HIGH TEMPERATURE-MODE". *Please check the condition. 0: "NORMAL-MODE".	
		Message of Temperature warning(Auto) While RS-232C controls: message sent on the display automatically.	-	Not avail	-	QST:TO*	Not avail	0 / 1	1: "HIGH TEMPERATURE-MODE". *Please check the condition. 0: "NORMAL-MODE".	
	SLOT Settings	SLOT information (Versioin) * (98/86SQ1 only) Main software version 3.0000 or later	-	-	QSU:SIV	QSU:SIV *****	Not avail	(example) ***** : 31323334	***** : Version	
		SLOT power link	SSU:SPL*	Not avail	QSU:SPL	QSU:SPL*	Not avail	0 / 1	0 : OFF 1 : ON	
		SLOT standby	SSU:SSB*	Not avail	QSU:SSB	QSU:SSB*	Not avail	0 / 1	0 : OFF 1 : ON	
		SLOT forced termination	SSU:SOF	Not avail	-	-	-	-	SLOT forced off	
		SLOT power on	SSU:SON	Not avail	-	-	-	-	SLOT power on	
	O t h e r s	Others	Recall	DDS	Not avail	-	-	-	-	Recall
			Display ID / Display name	DDS:DID	Not avail	-	-	-	-	Display ID / Display name
Audio Mute			AOC:*	Not avail	-	-	-	0 / 1	MUTE OFF / MUTE ON	
OSD Clear			VDO	Not avail	-	-	-	-	OSD Clear	
digital zoom			DZM:*\n*\n*\n*	Not avail	QDZ	QDZ:*\n*\n*\n*	Not avail	0 / 1, 1 / 2 / 3 / 4, 1 / 2 / 3 / 4 / 5, 1 / 2 / 3 / 4 / 5	OFF / ON, Enlargement factor, display position(Horizontal), display position(Vertical)	
Off Timer			ZOT:**	Not avail	-	-	-	00 ~ 90	0~90(minutes)	
USB media player Skip to the next playback file			UMP:NXT	Not avail	-	-	Not avail	-	Play next content Available using USB media player	

Others	USB media player Skip to the previous playback file	UMP:PRE	Not avail	-	-	Not avail	-	Play previous content Available using USB media player
	USB media player Playback again from top of the file	UMP:RPY	Not avail	-	-	Not avail	-	Play top of the content Available using USB media player
	Inquiry about Signal Status of input signal	-	-	QST:SGS	QST:SGS*	Not avail	0 / 1 / 2	Signal Status information 0 : Valid signal 1 : No signal 2 : Unsupported signal
	Inquiry about Signal Frequency of input signal	-	-	QFR	QFR:H***.** V***.**	Avail	000.00 ~ 999.99, 000.00 ~ 999.99	Horizontal frequency Vertical frequency Displayed until the decimal point second place.
	Inquiry about Signal Frequency of input signal (Screen type : Multi input display - 4 input Display)	-	-	QFR	QFR: H***.** V***.** H***.** V***.** H***.** V***.** H***.** V***.**	Not avail	000.00 ~ 999.99 000.00 ~ 999.99 000.00 ~ 999.99 000.00 ~ 999.99 000.00 ~ 999.99 000.00 ~ 999.99 000.00 ~ 999.99 000.00 ~ 999.99	Input(Upper/Left) : H:Horizontal frequency V:Vertical frequency Input(Upper/Right) : H:Horizontal frequency V:Vertical frequency Input(Lower/Left) : H:Horizontal frequency V:Vertical frequency Input(Lower/Right) : H:Horizontal frequency V:Vertical frequency Displayed until the decimal point second place.
	Inquiry about Signal Frequency of input signal (Screen type : Multi input display - Picture in picture)	-	-	QFR	QFR: H***.** V***.** H***.** V***.**	Not avail	000.00 ~ 999.99 000.00 ~ 999.99 000.00 ~ 999.99 000.00 ~ 999.99	Input(Main) : H:Horizontal frequency V:Vertical frequency Input(Sub) : H:Horizontal frequency V:Vertical frequency Displayed until the decimal point second place.
	Inquiry about Signal Frequency of input signal (Screen type : Multi input display - Picture by picture)	-	-	QFR	QFR: H***.** V***.** H***.** V***.**	Not avail	000.00 ~ 999.99 000.00 ~ 999.99 000.00 ~ 999.99 000.00 ~ 999.99	Input(Upper)/Input(Left) : H:Horizontal frequency V:Vertical frequency Input(Lower)/Input(Right) : H:Horizontal frequency V:Vertical frequency Displayed until the decimal point second place.
	Inquiry about Signal Format of input signal	-	-	QSF	QSF:M***** ***	Avail	(MAX 20 Characters)	Signal format information
	Inquiry about Signal Format of input signal (Screen type : Multi input display - 4 input Display)	-	-	QSF	QSF: A***** B***** C***** D*****	Not avail	(example) A***** : A-1080/60p----- B***** : B-1080/60p----- C***** : C-1080/60p----- D***** : D-1080/60p----- -	Signal format information A : Input(Upper/Left) B : Input(Upper/Right) C : Input(Lower/Left) D : Input(Lower/Right)
	Inquiry about Signal Format of input signal (Screen type : Multi input display - Picture in picture)	-	-	QSF	QSF: A***** B*****	Not avail	(example) A***** : A-1080/60p----- B***** : B-1080/60p-----	Signal format information A : Input(Main) B : Input(Sub)
Inquiry about Signal Format of input signal (Screen type : Multi input display - Picture by picture)	-	-	QSF	QSF: A***** B*****	Not avail	(example) A***** : A-1080/60p----- B***** : B-1080/60p-----	Signal format information A : Input(Upper)/Input(Left) B : Input(Lower)/Input(Right)	

Others	Others	Inquiry about detail of DIGITAL LINK status			QST:DLD	QST:DLD * *** * _** _** _** _** _** _**	Not avail	0 / 1 / 2 / 3 000-225, <20 0 / 1 / 2 -00~-99 -00~-99 -00~-99 -00~-99 -00~-99 -00~-99	No connect / Digital Link / LPM / Ethernet (Est. Cable Length)(m) (*) No HDMI / HDMI(No HDCP) / HDMI(HDCP) ChannelA Signal Quality ChannelB Signal Quality ChannelC Signal Quality ChannelD Signal Quality Minimum Signal Quality Maximum Signal Quality (*)Est. Cable Length VS100RXFirmware :000>20(20mLAN)
		Inquiry about HDCP status	-	-	QST:DCP	QST:DCP***	Not avail	PRT / NON / ---	Protected / None / No signal
		Auto Command Send Setting	RCM:* *	Not avail	-	-	-	0 / 1 0 / 1 (1~2 / Number of parameters is 1 to 2.)	OFF / ON --- QSS (QSS command) OFF / ON --- QSS:STSERR (QSS:STSERR)
		Inquiry about Model Name	-	-	QMN	QMN: ** * **	Avail	98 / 86 / 75 / 65 / 55 / 49 U 18 / 19	Inch size UHD model Product of 2018 / 2019
		Inquiry about Model	-	-	QID	QID: ** **...* *	Avail	98 / 86 / 75 / 65 / 55 / 49 SQ1 J / W / C	Inch size model market
		Software Version Main MCU	-	-	QRV	QRV: * **** SF2H	Avail	*Example 1.0000 SQ1	Version model
		Software Version Sub MCU	-	-	QRV:STB	QRV:STB**.**	Avail	*Example 01.00	Version
		Software Version FE	-	-	QRV:FRE	QRV:FRE * .***	Not avail	*Example 0.203	Version
		Software Version EEPROM	-	-	QRV:EEP	QRV:EEP**.**	Avail	*Example 01.00	Version
		Software Version HDBaseT RX	-	-	QRV:HBT	QRV:HBT **.**.****	Avail	*Example 30.90.000C	Version
		Software Version FRC	-	-	QRV:FRC	QRV:FRC ****	Not avail	*Example 0100	(86/75 inch only) Version
		Serial number	-	-	QSN	QSN:*****	Avail	(ASCII 9~15 / 9 to 15 figures of the ASCII characters)	(Alphanumeric character)(capital letter of the alphabet)(Blank)'-(0x30-0x39,0x41-0x5a,0x20,0x2d)
		MAC Address * (98/86SQ1 only) Main software version 3.0000 or later	-	-	QMA	QMA:*****	Not Avail	0~9, A~F 12 figures	MAC Address
		LAN data Cloning - Write protect	LCL:WRP*	Not Avail	QCL:WRP	QCL:WRP*	Not Avail	0 / 1	OFF / ON
		SOS History	-	-	QSS	QSS:**. **. **. **. **. **	Avail	00~FF. 00~FF. 00~FF. 00~FF. 00~FF. 00~FF	Number of times First time SOS classification 2nd SOS classification 3n time SOS classification 3n+1st SOS classification 3n+2nd SOS classification
Inquiry about SOS Status	-	-	QSS:STS	QSS:STS***	Avail	NON / ERR / EXT	NON : no SOS history ERR : SOS generating EXT : SOS history exists		

Protocol

■ SERIAL terminal connection

Communication parameters

Signal level	RS-232C compliant
Synchronization method	Asynchronous
Baudrate	9600 bps
Parity	None
Character length	8 bits
Stop bit	1 bit
Flow control	None

type of cable : straight cable

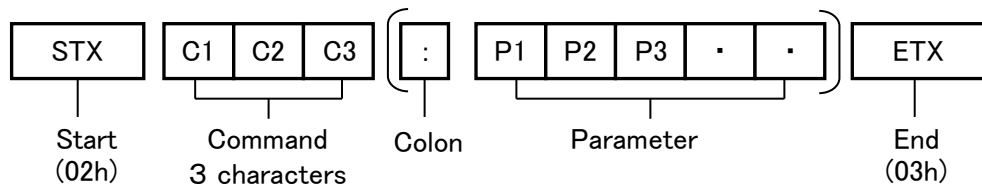
Signal names for SERIAL IN terminal:

Pin No.	Signal Name
②	RXD
③	TXD
④	DTR
⑤	GND
⑥	DSR
⑦	(Shorted in this set)
⑧	(Shorted in this set)
⑨	NC

These signal names are those of computer specifications.

Basic format for control data:

The transmission of control data starts with a STX signal, followed by the command, the parameters, and lastly an ETX signal in that order. If there are no parameters, the colon ":" does not need to be sent.



00	10	20	30	40	50	60	70
00	DE	0	@	P	p		
01	SH	D1	!	1	A	Q	a
02	SX	D2	"	2	B	R	b
03	EX	D3	#	3	C	S	c
04	ET	D4	\$	4	D	T	d
05	EO	NK	%	5	E	U	e
06	AK	SN	&	6	F	V	f
07	BL	EB	'	7	G	W	g
08	BS	CN	(8	H	X	h
09	HT	EM)	9	I	Y	i
0A	LF	SB	*	:	J	Z	j
0B	HM	EC	+	;	K	[k
0C	CL	->	<	L	¥]	l
0D	CR	←	→	M]	m	
0E	SO	T	>	N	^	n	
0F	SI	↓	↑	?	O	o	

(Example)

Power on

Character STX P O N ETX

Binary

02 50 4F 4E 03

Picture+85

Character STX V P C : P I C O 8 5 ETX

Binary

02 56 50 43 3A 50 49 43 30 38 35 03

Notes:

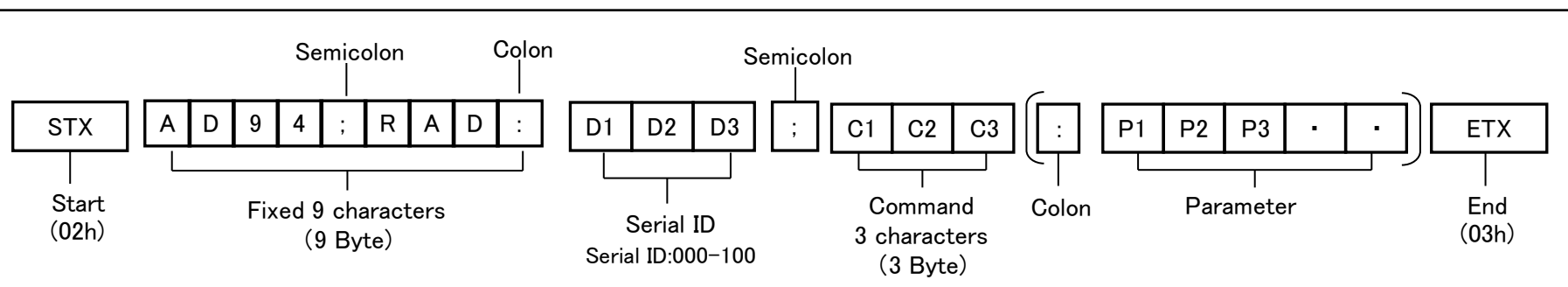
- If an incorrect command is sent, this unit will reply an "ER401" command to the computer.
- If customer send multiple commands, be sure to wait for the response for the first command to come before sending the next command.
- The length of the Parameters are different for each command.
- With the power off (stand-by mode), this display responds to "PON"/"QPW" command only.
- Running the Read user image of image settings, this unit will reply an "ER401" command to the computer.

<When sending command with Display ID>

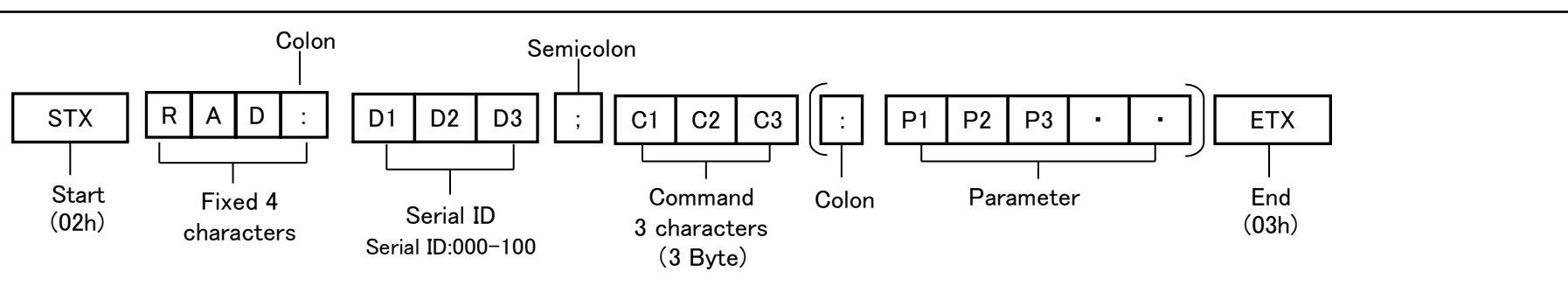
- When sending command with Display ID, set [Options] - [Serial ID function] to "on".
- If Display ID is "0", any ID number in command is acceptable to control. However, the inquiry command is inoperable.
- If serial ID in command is "000", it is acceptable regardless of Display ID of target display. However, the inquiry command is inoperable.
- If a command is sent with serial ID, a response will be sent to the computer only in the following cases.
 - When [display ID and serial ID] is not 0: the display ID needs to match the serial ID.

How to send to add "Serial ID" (Serial Control Only)

Serial ID Format	<STX>AD94:RAD:<NUM1><NUM2><NUM3>:*****<ETX> (ex.) Serial ID = 1 <STX>AD94:RAD:001:PON<ETX>
or	<STX>RAD:<NUM1><NUM2><NUM3>:*****<ETX> (ex.) Serial ID = 1 <STX>RAD:001:PON<ETX>



or



- "AD94:RAD:" or "RAD:" is fixed characters when sending command with ID.
- Serial ID is 3 characters and specified with Display ID which will be controlled.
 - If Display ID is 1, Serial ID is 001.
 - If Display ID is 15, Serial ID is 015.

通信規約

■ シリアル端子接続

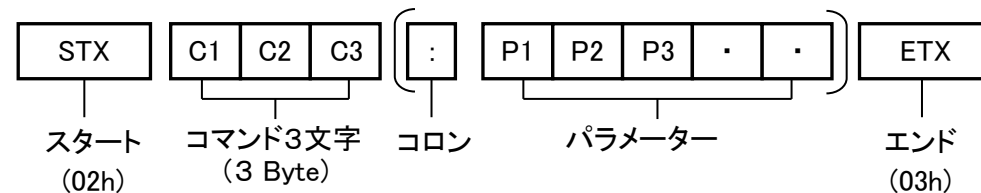
通信条件

信号レベル	RS-232C準拠
同期方式	調歩同期 (非同期)
ボーレート	9600 bps
パリティなし	なし
キャラクター長	8 ビット
ストップビット	1 ビット
フロー制御	なし

ケーブル種 : ストレート

基本フォーマット :

データは、「STX」、「コマンド」、「パラメーター」、「ETX」の順に送信してください。パラメーターを必要としないコマンドを送信する場合は、コロン (:) を付け不要としないでください。



シリアル入力端子の信号名 :

ピン No.	信号名
②	RXD
③	TXD
④	DTR
⑤	GND
⑥	DSR
⑦	(本体側で短絡)
⑧	(本体側で短絡)
⑨	NC

これらの信号名はコンピュータ仕様のもので、

00	10	20	30	40	50	60	70
00	DE	0	@	P	p		
01	SH	D1	!	1	A	Q	a
02	SX	D2	"	2	B	R	b
03	EX	D3	#	3	C	S	c
04	ET	D4	\$	4	D	T	d
05	EO	NK	%	5	E	U	e
06	AK	SN	&	6	F	V	f
07	BL	EB	'	7	G	W	g
08	BS	CN	(8	H	X	h
09	HT	EM)	9	I	Y	i
0A	LF	SB	*	:	J	Z	j
0B	HM	EC	+	;	K	[k
0C	CL	->	<	L	¥]	l
0D	CR	←	→	M]	m	
0E	SO	T	>	N	^	n	
0F	SI	↓	↑	?	O	o	

(コマンド例)

電源オンコマンド

キャラクタ STX P O N ETX

バイナリ

02 50 4F 4E 03

ピクチャー+85設定

キャラクタ STX V P C : P I C O 8 5 ETX

バイナリ

02 56 50 43 3A 50 49 43 30 38 35 03

その他

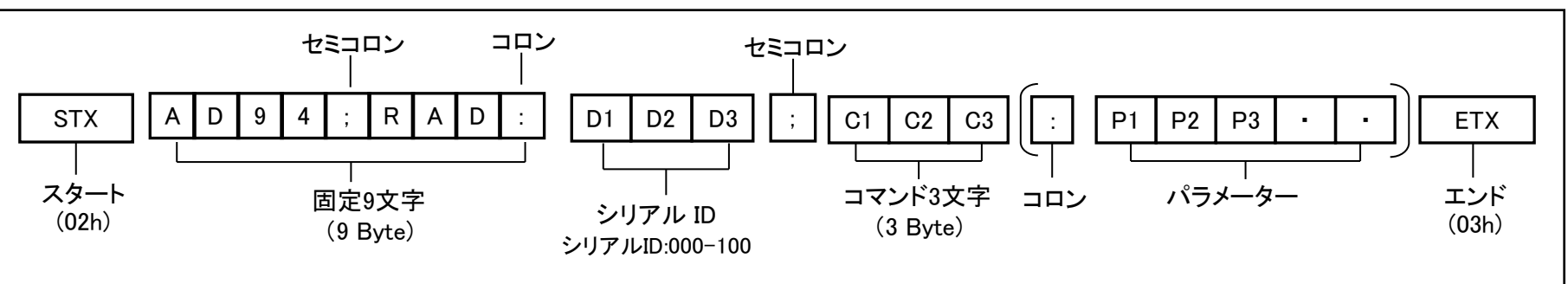
- 間違ったコマンドを受信すると、「ER401」という応答コマンドを返信します。
- 複数コマンドで制御する場合は、送信側が本機の応答を受け取ってから、次のコマンドを送信することを想定しています。
- パラメータの長さはコマンドごとに異なります。
- 電源「スタンバイ」状態 (リモコンで電源「切」) 中は「PON」「QPW」コマンド以外の動作は保証されません。
- イメージ設定のユーザーイメージ読み込み中にコマンドを受信すると、「ER401」という応答コマンドを返信します。

<ID付コマンドで制御する場合>

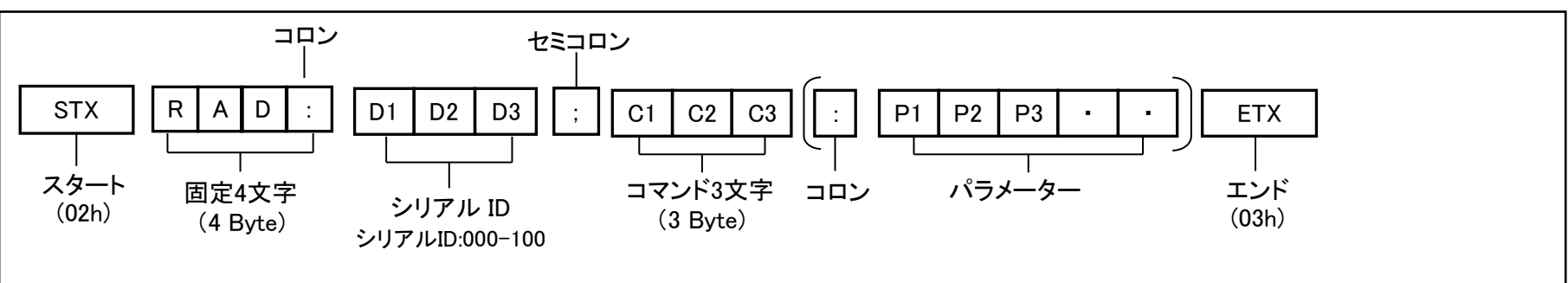
- シリアルID付で制御する場合は、「Options」メニューの「Serial ID function (シリアルID制御)」をオンに設定してください。
- ディスプレイIDが0の場合、コマンドに付与するシリアルIDはどのような数字でも制御します。但し、問合せコマンドは動作不可です。
- 送信するコマンドのシリアルIDを"000"とすると、ディスプレイIDに関係なく制御します。但し、問合せコマンドは動作不可です。
- ID付コマンドを送信した場合、以下の時のみコンピューターへの応答を返します。
 - ディスプレイID、シリアルID が0以外の場合: ディスプレイIDとシリアルID が一致した時

ID付コマンドフォーマット (シリアル制御 のみ)

Serial ID Format	<STX>AD94:RAD:<NUM1><NUM2><NUM3>:*****<ETX> (例) Serial ID = 1の場合 <STX>AD94:RAD:001:PON<ETX>
または	<STX>RAD:<NUM1><NUM2><NUM3>:*****<ETX> (例) Serial ID = 1の場合 <STX>RAD:001:PON<ETX>



または



- "AD94:RAD:"または"RAD:"は、シリアルID付きコマンドを送る場合に必要固定文字列です。
- シリアルIDには、制御したいディスプレイのディスプレイIDを3文字で指定します。
 - ディスプレイID が 1 の場合、シリアルIDは 001 になります。
 - ディスプレイID が 15 の場合、シリアルIDは 015 になります。

