

**RS232C/LAN command list**  
**MODEL : TH-55VF2/TH-55VF2H**

**2019/11/21**  
**Panasonic Corporation**

TYPE	Function	Control Command		Inquiry Command			Range and kind of parameter Call-back	Explanation
		Transmission Command[:Parameter s]	Standby	Transmission Command[:Parameters]	Reply Command[:Parameter s]	Standby		
B a s i c  C o n t r o l	Power ON	PON	Avail					
	Power OFF	POF	-					
	Power Status			QPW	QPW:*	Avail	0 / 1	0:Standby (Off) / 1:Power ON (On)
	Input Change	IMS (:***)	Not avail	QMI	QMI:***	Avail	Control:(Toggle) HM1/DP1/DL1/DV1/DV2/PC1/UD1  Inquiry: HM1/DP1/DL1/DV1/DV2/PC1/UD1	HM1 : HDMI DP1 : DisplayPort DL1 : DIGITAL LINK DV1 : DVI-D1 DV2 : DVI-D2 PC1 : PC UD1 : USB
	DIGITAL LINK YFB Digital Link Input select for YFB Series	IMS:DL1***	Not avail	QMI:DL1	QMI:DL1***	Not avail	Control: HD1/HD2/PC1/PC2/SVD/VID (YFB100) HD1 /HD2 /PC1 /PC2 /VID (YFB200)  Inquiry: HD1/HD2/PC1/PC2/SVD/VID (YFB100) HD1 /HD2 /PC1 /PC2 /VID (YFB200)	Available when YFB100/YFB200 is connected. HD1 : HDMI1 HD2 : HDMI2 PC1 : COMPUTER 1 PC2 : COMPUTER 2 SVD : S-VIDEO (※ YFB100 only) VID : VIDEO
	Audio Volume	AVL:***	Not avail				000 - 100	Volume value : 0 ~ 100
	Audio Volume Up	AUU	Not avail					
	Audio Volume Down	AUD	Not avail					
	Current Audio Volume			QAV	QAV:***	Avail	000 - 100	Volume value : 0 ~ 100
	Audio Mute	AMT (:*)	Not avail	QAM	QAM: *	Avail	Control:(Toggle) 0 / 1	Toggle 0:(Audio mute Off) / 1:(Audio mute On)
	Video Mute	VMT (:*)	Not avail	QVM	QVM: *	Avail	Control:(Toggle) 0 / 1	Toggle 0:(Video mute Off) / 1:(Video mute On)
	Aspect Change	DAM:****	Not avail	QAS	QAS:****	Not avail	FULL / NORM / ZOOM / ZOM2	FULL / NORMAL / ZOOM1 / ZOOM2

TYPE	Function	Control Command		Inquiry Command			Range and kind of parameter Call-back	Explanation
		Transmission Command[:Parameter s]	Standby	Transmission Command[:Parameters]	Reply Command[:Parameter s]	Standby		
P i c t u r e	Picture Adjustment	Picture Mode	VPC:MEN***	Not avail	QPC:MEN	QPC:MEN***	Not avail	VIV / NAT / STD / SUV / GRH / DCM VIV : VIVID SIGNAGE NAT : NATURAL SIGNAGE STD : STANDARD SUV : SURVEILLANCE GRH : GRAPHIC DCM : DICOM
	Backlight	VPC:BLT***	Not avail	QPC:BLT	QPC:BLT***	Avail	000 - 100 DEF	0 ~ 100 DEF:SET SHIPPING VALUE Available when Long life mode is Off.
	Picture (Contrast)	VPC:PIC***	Not avail	QPC:PIC	QPC:PIC***	Avail	000 - 100 DEF	0 ~ 100 DEF:SET SHIPPING VALUE
	Black Level (Brightness)	VPC:BLK***	Not avail	QPC:BLK	QPC:BLK***	Avail	000 - 100 DEF	0 ~ 100 DEF:SET SHIPPING VALUE
	Sharpness	VPC:SHP***	Not avail	QPC:SHP	QPC:SHP***	Avail	000 - 100 DEF	0 ~ 100 DEF:SET SHIPPING VALUE
	Color	VPC:COL***	Not avail	QPC:COL	QPC:COL***	Avail	000 - 100 DEF	0 ~ 100 DEF:SET SHIPPING VALUE
	Tint	VPC:TIN***	Not avail	QPC:TIN	QPC:TIN***	Not avail	000 - 100 DEF	0 ~ 100 DEF:SET SHIPPING VALUE
	Enhance level	VPC:SHE*	Not avail	QPC:SHE	QPC:SHE*	Not avail	1 / 2	1: low 2: high
	Color Temperature	VPC:TMP***	Not avail	QPC:TMP	QPC:TMP***	Not avail	032 / 040 / 050 / 065 / 075 / 093 / 107 / NTV / U01 / U02	3200K ~ 10700K / Native / USER1 / USER2
	Red Gain	VWB:RGN****	Not avail	QWB:RGN	QWB:RGN****	Not avail	0000 ~ 0255	0 ~ 255 Available when Color Temperature is USER1 or USER2.
	Green Gain	VWB:GGN****	Not avail	QWB:GGN	QWB:GGN****	Not avail	0000 ~ 0255	0 ~ 255 Available when Color Temperature is USER1 or USER2.
	Blue Gain	VWB:BGN****	Not avail	QWB:BGN	QWB:BGN****	Not avail	0000 ~ 0255	0 ~ 255 Available when Color Temperature is USER1 or USER2.
	Red Bias	VWB:RBS****	Not avail	QWB:RBS	QWB:RBS****	Not avail	-127 ~ 0000 ~ 0128	0 ~ 255 Available when Color Temperature is USER1 or USER2.
	Green Bias	VWB:GBS****	Not avail	QWB:GBS	QWB:GBS****	Not avail	-127 ~ 0000 ~ 0128	0 ~ 255 Available when Color Temperature is USER1 or USER2.
	Blue Bias	VWB:BBS****	Not avail	QWB:BBS	QWB:BBS****	Not avail	-127 ~ 0000 ~ 0128	0 ~ 255 Available when Color Temperature is USER1 or USER2.
	Gamma	VWB:GMM**	Not avail	QWB:GMM	QWB:GMM**	Not avail	20 / 22 / 24 / 26 / DC	2.0 / 2.2 / 2.4 / 2.6 / DICOM Not avail : when Color Temperature is NTV(Native) DC : Inquiry only , when Picture Mode is DCM(DICOM).
	Dynamic Contrast	VPC:DCO**	Not avail	QPC:DCO	QPC:DCO**	Not avail	00 ~ 10	0 ~ 10
	Color Enhancement	VPC:PAJ*	Not avail	QPC:PAJ	QPC:PAJ*	Not avail	0 / 1	OFF / Low / Mid / High
Refine enhancer	VPC:SRC*	Not avail	QPC:SRC	QPC:SRC*	Not avail	0 / 1 / 2 / 3	OFF / Low / Mid / High	

TYPE	Function	Control Command		Inquiry Command			Range and kind of parameter Call-back	Explanation		
		Transmission Command[:Parameter s]	Standby	Transmission Command[:Parameters]	Reply Command[:Parameter s]	Standby				
P i c t u r e	Picture Adjustment	Gradation smoother	VPC:GRS*	Not avail	QPC:GRS	QPC:GRS*	Not avail	0 / 1	0 : off / 1 : on	
		Default	VPC:DEF*	Not avail				1 / 2 / 3	Mode1 / Mode2 / Mode3 Mode1 : Default video input value for current input and current picture mode. Mode2 : Default video input value for current input and all picture mode. Mode3 : Default video input value for all input and all picture mode.	
	Memory function	Memory delete	VPF:DEL**	Not avail					01 ~ 08	Memory No.1 - Memory No.8
		Memory load	VPF:LOD**	Not avail					01 ~ 08	Memory No.1 - Memory No.8
		Memory name change	VPF:NAM** *...*	Not avail	QPF:NAM**	QPF:NAM** *...*	Not avail		01 ~ 08 space ! " # \$ % & ' ( ) * + , - . / 0 1 2 3 4 5 6 7 8 9 : ; < = > ? @ A B C D E F G H I J K L M N O P Q R S T U V W X Y Z [ ¥ ] ^ _ ` a b c d e f g h i j k l m n o p q r s t u v w x y z {   } ~	Memory No.1 - Memory No.8 Memory name(Max 20 Parameters)
		Memory save	VPF:SAV** *...*	Not avail					01 ~ 08 space ! " # \$ % & ' ( ) * + , - . / 0 1 2 3 4 5 6 7 8 9 : ; < = > ? @ A B C D E F G H I J K L M N O P Q R S T U V W X Y Z [ ¥ ] ^ _ ` a b c d e f g h i j k l m n o p q r s t u v w x y z {   } ~	Memory No.1 - Memory No.8 Memory name(Max 20 Parameters)
Memory state			QPF:STA	QPF:STA*****	Not avail		-/0 (Memory No.1- No.08)	Unused/Use		
S o u n d	Sound Adjustment	Output Select	AAC:OUT***	Not avail	QAC:OUT	QAC:OUT***	Not avail	SPO / LNO	SPEAKER-OUT / LINE-OUT	
		Sound Mode	AAC:MEN***	Not avail	QAC:MEN	QAC:MEN***	Not avail	STD(AUT) / DYN / CLR	STANDARD / DYNAMIC / CLEAR Available when Output Select is SPEAKER-OUT.	
		Bass	AAC:BAS***	Not avail	QAC:BAS	QAC:BAS***	Not avail	-20 ~ 000 ~ +20(020)	Available when Output Select is SPEAKER-OUT.	
		Treble	AAC:TRE***	Not avail	QAC:TRE	QAC:TRE***	Not avail	-20 ~ 000 ~ +20(020)	Available when Output Select is SPEAKER-OUT.	
		Balance	AAC:BAL***	Not avail	QAC:BAL	QAC:BAL***	Not avail	-20 ~ 000 ~ +20(020)	Available when Output Select is SPEAKER-OUT.	
		Surround	AAC:SUR***	Not avail	QAC:SUR	QAC:SUR***	Not avail	MON / OFF	ON / OFF Available when Output Select is SPEAKER-OUT.	

TYPE	Function	Control Command		Inquiry Command			Range and kind of parameter Call-back	Explanation	
		Transmission Command[:Parameter s]	Standby	Transmission Command[:Parameters]	Reply Command[:Parameters]	Standby			
P o s i t i o n	Position/Size Adjustment	Horizontal Position	DGE:HPO****	Not avail	QGE:HPO	QGE:HPO****	Not avail	-100 ~ 0000 ~ +100(0100)	H-Pos : -100 - 0000 - +100(0100)
		Horizontal Size	DGE:HSZ****	Not avail	QGE:HSZ	QGE:HSZ****	Not avail	-100 ~ 0000 ~ +100(0100)	H-Size : -100 - 0000 - +100(0100)
		Vertical Position	DGE:VPO****	Not avail	QGE:VPO	QGE:VPO****	Not avail	-100 ~ 0000 ~ +100(0100)	V-Pos : -100 - 0000 - +100(0100)
		Vertical Size	DGE:VSZ****	Not avail	QGE:VSZ	QGE:VSZ****	Not avail	-100 ~ 0000 ~ +100(0100)	V-Size : -100 - 0000 - +100(0100)
		Clock Phase	DGE:CLK***	Not avail	QGE:CLK	QGE:CLK***	Not avail	00 ~ 30	0 ~ 30
		Dot Clock	DGE:DCL***	Not avail	QGE:DCL	QGE:DCL***	Not avail	-5 ~ 00 ~ +5(05)	-5 ~ 5
		1:1 Pixel Mode	DGE:DBD*	Not avail	QGE:DBD	QGE:DBD*	Not avail	0 / 1	0:OFF / 1:ON
		Overscan	DGE:OVS*	Not avail	QGE:OVS	QGE:OVS*	Not avail	0 / 1	0:OFF / 1:ON
		Pos./Size Lump Setting	DGE:PSZ**** **** **** ****	Not avail	QGE:PSZ	QGE:PSZ**** **** **** ****	Not avail	-100 ~ 0000 ~ +100(0100), -100 ~ 0000 ~ +100(0100), -100 ~ 0000 ~ +100(0100), -100 ~ 0000 ~ +100(0100)	H-Pos : -100 - 0000 - +100(0100) H-Size : -100 - 0000 - +100(0100) V-Pos : -100 - 0000 - +100(0100) V-Size : -100 - 0000 - +100(0100)
		Auto Setup	DGE:ASU *	Not avail	QGE:ASU	QGE:ASU  **	Not avail	Control: 1 Inquiry: OK / NG / OF / NW	Control: 1:Execution start Inquiry: OK / NG / OF(Un-performing or when not effective) / NW(adjusting)
S E T U P	Set up	Wobbling	OSP:WOB*	Not avail	QSP:WOB	QSP:WOB*	Not avail	0 / 1	OFF / ON
		No activity power off	SSU:NAO*	Not avail	QSU:NAO	QSU:NAO*	Not avail	0 / 1	Disable / Enable
		DIGITAL LINK out	SSU:DLO***	Not avail	QSU:DLO	QSU:DLO***	Not avail	OFF / ALL / DL1 / DP1 / HM1 / DV1 / DV2	OFF : ALL : Monitor Out(Digital) DL1 : DIGITAL LINK DP1 : DisplayPort HM1 : HDMI DV1 : DVI-D1 DV2 : DVI-D2
		Power ON Screen Delay	OSP:POD**	Not avail	QSP:POD	QSP:POD**	Not avail	AT / 00 ~ 30	AT : Auto 0 ~ 30 : 0 ~ 30 seconds
		OSD Language	SSU:LNG***	Not avail	QSU:LNG	QSU:LNG***	Not avail	ENG / DEU / FRA / ITL(ITA) / ESP / USA / CHA / JPN / RUS	English (UK) /German / French / Italian / Spanish / English (US) / Chinese/Japanese /Russian
		Display Orientation	SSU:DOR*	Not avail	QSU:DOR	QSU:DOR*	Not avail	0 / 1	Landscape / Portrait
		OSD Position	SSU:OPS*	Not avail	QSU:OPS	QSU:OPS*	Not avail	1 / 2 / 3	1:Left(Landscape) / Upper(Portrait) 2:Center 3:Right(Landscape) / Lower(Portrait)
		Menu Display Duration	SSU:MDT***	Not avail	QSU:MDT	QSU:MDT***	Not avail	005 ~ 180	Timeout time of a menu display 5 - 180 seconds (5 second unit)
Menu Transparency	SSU:MTL***	Not avail	QSU:MTL	QSU:MTL***	Not avail	000 ~ 100	Transmissivity of a menu 0 ~ 100% (10% unit)		



TYPE	Function	Control Command		Inquiry Command			Range and kind of parameter Call-back	Explanation		
		Transmission Command[:Parameter s]	Standby	Transmission Command[:Parameters]	Reply Command[:Parameter s]	Standby				
s e t u p	Display ID Setup	Multi control auto setting(DIGITAL LINK)	SID:MAS***  +  *	Not avail	QID:MAS	QID:MAS***  +	Not avail	(000),001~100,AUT  0 / 1       0 / 1	Display ID 000~100 : DisplayID (000 is the only Inquiry Command.) AUT : Auto (AUT is the only Control Command.) +:Changing Network Control Control 0: No (Maintains the settings.) 1: Yes (Switches[Network control] to [On] when it is set to [Off],and switches [DHCP] to [On]) Reply 0: [Network control] is [Off] 1: [Network control] is [On] *:Changing_Serial/IR_terminal (Control command only) 0:No 1:Yes  * Only when sending the control command to the top display that daisy chain by DIGITAL LINK.	
		Display ID Auto Setup	SID:SID*	Not avail	QID:SID	QID:SID*	Not avail	0 / 1	OFF / ON	
		Serial ID Setup (Serial ID Function and Display ID)	SIF:* ***	Not avail	QIF	QIF:* ***	Not avail	0 / 1 000 ~ 100	OFF / ON Display ID	
		IDDisplay ID			QID:DID	QID:DID***	Not avail	000 ~ 100	Display ID	
		Control settings	IR Control(setting)	SCT:IRC***	Not avail	QCT:IRC	QCT:IRC***	Not avail	AUT / BI1 / DL1	Auto / Built in / DIGITAL LINK
			IR Control(actual operation)			QCT:IRA	QCT:IRA***	Not avail	IR1 / BI1 / DL1	IR IN / Built-in / DIGITAL LINK
			IR Out	SCT:IRO***	Not avail	QCT:IRO	QCT:IRO***	Not avail	IR1 / DL1	IR-out / DIGITAL LINK
			Serial Control	SCT:SEC***	Not avail	QCT:SEC	QCT:SEC***	Not avail	SE1 / DL1	Serial in / DIGITAL LINK
			Serial Out	SCT:SEO***	Not avail	QCT:SEO	QCT:SEO***	Not avail	SE1 / DL1	Serial out / DIGITAL LINK
			Serial Response(Normal)	SCT:RIN*	Not avail	QCT:RIN	QCT:RIN*	Not avail	0 / 1	OFF / ON
	Serial Response(ID ALL)		SCT:RIA*	Not avail	QCT:RIA	QCT:RIA*	Not avail	0 / 1	OFF / ON	
	Serial ID Group		SCT:SIG*	Not avail	QCT:SIG	QCT:SIG*	Not avail	A / B / C / D / E / F / G	A / B / C / D / E / F / G	
	Serial Response(ID Group)		SCT:RIG*	Not avail	QCT:RIG	QCT:RIG*	Not avail	0 / 1	OFF / ON	
	Serial Daisy Chain Position	SCT:DCP***	Not avail	QCT:DCP	QCT:DCP***	Not avail	TOP / DEF / END	TOP / --- / END		



TYPE	Function	Control Command		Inquiry Command			Range and kind of parameter Call-back	Explanation	
		Transmission Command[:Parameter s]	Standby	Transmission Command[:Parameters]	Reply Command[:Parameters]	Standby			
S e t u p	Signal	3D Y/C Filter	SSG:YCS*	Not avail	QSG:YCS	QSG:YCS*	Not avail	0 / 1	OFF / ON
	Color System	SSG: COS ***	Not avail	QSG: COS	QSG: COS ***	Not avail	NTS / PAL / SCM / 4NT / MPA / NPA / AUT	NTSC / PAL / SECAM / NTSC4.43 / PAL-M / PAL-N / AUTO	
	Sync Signal Setting	SSG: SNC ***	Not avail	QSG: SNC	QSG: SNC ***	Not avail	HAV / GRN / HVS	Only PC input Auto detection / Sync On Green / Hvsync	
	Cinema Reality (3:2 Pull Down)	SSG: DCR*	Not avail	QSG: DCR	QSG: DCR*	Not avail	0 / 1	OFF / ON	
	XGA Mode	SSG: XGA*	Not avail	QSG: XGA	QSG: XGA*	Not avail	1 / 2 / 3 / 4	1024x768 / 1280x768 / 1366x768 / Auto	
	Noise Reduction	SSG: NRS***	Not avail	QSG: NRS	QSG: NRS***	Not avail	OFF / AUT / LOW / MID / HIG	OFF / Auto / Low / Middle / High	
	MPEG Noise Reduction	SSG: MNR***	Not avail	QSG: MNR	QSG: MNR***	Not avail	OFF / LOW / MID / HIG	OFF / Low / Middle / High	
	Signal Range	SSG: HRC***	Not avail	QSG: HRC	QSG: HRC***	Not avail	VID / FUL / AUT	Video / FULL / Auto DVI1/DVI2: "Auto" not avail	
	Component/RGB-IN Select	SSU: CMP***	Not avail	QSU: CMP	QSU: CMP***	Not avail	YBR/RGB	YBR Signal / RGB Signal Available when PC1/YP1 is selected.	
	YUV/RGB-IN Select	SSU: DYR***	Not avail	QSU: DYR	QSU: DYR***	Not avail	YUV/RGB	YUV Signal / RGB Signal Available when HDMI/DisplayPort/DIGITAL LINK/DVI1/DVI2 is selected.	
	Input Level	VWB: ILV***	Not avail	QWB: ILV	QWB: ILV***	Not avail	-16 ~ 000 ~ +16(016)	-	
	Multi dynamic backlight settings - Multi dynamic backlight	SMD: MDB*	Not avail	QMD: MDB	QMD: MDB*	Not avail	0 / 1	Auto / On	
	Multi dynamic backlight settings - Input of linked "Child"	SMD: ILC***	Not avail	QMD: ILC	QMD: ILC***	Not avail	HM1 / DP1 / DL1 / DV1 / DV2	HM1 : HDMI DP1 : DisplayPort DL1 : DIGITAL LINK DV1 : DVI-D1 DV2 : DVI-D2	
	Multi dynamic backlight settings - Add "Child"	SMD: IPA *** *** *** ***	Not avail				000~255 000~255 000~255 000~255	*** : Target IP Address 1st BYTE *** : Target IP Address 2nd BYTE *** : Target IP Address 3rd BYTE *** : Target IP Address 4th BYTE Available when Multi dynamic backlight is On.	
	Multi dynamic backlight settings - Delete all of "Child"	SMD: IPD	Not avail						
Color matching	Color matching function	SSU: CMG* * **** **** ****	Not avail	QSU: CMG*	QSU: CMG* * **** **** ****	Not avail	* : R/Y/G/C/B/M * : 0 / 1 (Test Pattern) **** :R 0000 ~ 2048 **** :G 0000 ~ 2048 **** :B 0000 ~ 2048	Red / Yellow / Green / Cyan / Blue / Magenta Off / On (Test Pattern)  Please check the instruction manual about the range of each color.	
	Color matching function reset	SSU: CGR	Not avail	-	-	Not avail		Restores each adjustment of all color selections to default.	

TYPE	Function	Control Command		Inquiry Command			Range and kind of parameter Call-back	Explanation	
		Transmission Command[:Parameter s]	Standby	Transmission Command[:Parameters]	Reply Command[:Parameter s]	Standby			
s e t u p	Screensaver	Screensaver ON/OFF	OSP:SCR*	Not avail	QSP:SCR	QSP:SCR*	Not avail	0 / 5	0:(stop) / 5:(operating)
		Screensaver Mode	SSC:MOD*	Not avail	QSC:MOD	QSC:MOD*	Not avail	0 / 1 / 2 / 3 / 4	0:OFF / 1:Interval / 2:Time Designation / 3:ON / 4:Standby after Screensaver
		Interval Screensaver	SSC:INT**** ****	Not avail	QSC:INT	QSC:INT**** ****	Not avail	0000 ~ 2359, 0000 ~ 2359	Periodic time Operating time
		Time Designation Screensaver	SSC:TIM**** ****	Not avail	QSC:TIM	QSC:TIM**** ****	Not avail	0000 ~ 2359, 0000 ~ 2359	Start time Finish time
		Standby after Screensaver	SSC:AOF****	Not avail	QSC:AOF	QSC:AOF****	Not avail	0000 ~ 2359	Time of operation(hour:minute)
	Input Label	Set Label for Current Input	SSU:ILA***	Not avail	QSU:ILA	QSU:ILA***	Not avail	INP / PCN / DV1 / DV2 / DV3 / BD1 / BD2 / BD3 / CTV / VCR / STB / SKP	reset input name(Except PC) / reset input name(for PC) DVD1 / DVD2 / DVD3 / Blu-ray1 / Blu-ray2 / Blu-ray3 / CATV / VCR / STB / (Skip)  Available when Input is not USB.
		Set Label for EACH INPUT	SSU:ILA+++****	Not avail	QSU:ILA+++	QSU:ILA +++  ***	Not avail	+++ HM1 / DP1 / DL1 / DV1 / DV2 / PC1  *** INP / DV1 / DV2 / DV3 / BD1 / BD2 / BD3 / CTV / VCR / STB / SKP	INPUT HDMI / DisplayPort / DIGITAL LINK / DVI-D1 / DVI-D2 / PC  (reset input name) / DVD1 / DVD2 / DVD3 / Blu-ray1 / Blu-ray2 / Blu-ray3 / CATV / VCR / STB / (Skip)
	Power Management Settings	Power Management Mode	SSU:ECS*	Not avail	QSU:ECS	QSU:ECS*	Not avail	0 / 1	CUSTOM / ON
		No Signal Power Off	SSU:AOF*	Not avail	QSU:AOF	QSU:AOF*	Not avail	0 / 1	Disable / Enable
		HDMI Power Management	SSU:D1H*	Not avail	QSU:D1H	QSU:D1H*	Not avail	0 / 1	OFF / ON
		DIGITAL LINK Power Management	SSU:D1L*	Not avail	QSU:D1L	QSU:D1L*	Not avail	0 / 1	OFF / ON
		DVI-D1 Power Management	SSU:D1V*	Not avail	QSU:D1V	QSU:D1V*	Not avail	0 / 1	OFF / ON
		DVI-D2 Power Management	SSU:D2V*	Not avail	QSU:D2V	QSU:D2V*	Not avail	0 / 1	OFF / ON
		PC Power Management	SSU:DPM*	Not avail	QSU:DPM	QSU:DPM*	Not avail	0 / 1	OFF / ON
	Extended standby mode	SSU:ESM*	Not avail	QSU:ESM	QSU:ESM*	Not avail	0 / 1	OFF / ON	
Function Button Settings	Function Group	OSP:KGR***	Not avail	QSP:KGR	QSP:KGR***	Not avail	INP / MEM / ACT	INPUT / MEMORY / ACTION & MENU(SHORTCUT)	
	Function Button Settings	OSP:KFN* ***	Not avail	QSP:KFN*	QSP:KFN* ***	Not avail	1 - 9 , 0  (ACTION & MENU) SIG / SSV / SUT / ECO / LNS / OSH / MLT / DZM / DID  (INPUT) HM1 / DP1 / DL1 / DV1 / DV2 / PC1 / UD1	setup to FUNCTION KEY 1 - setup to FUNCTION KEY 9, setup to FUNCTION KEY 0  (ACTION & MENU) Signal menu / Screensaver menu / Timer setup menu / Power management mode menu / Network settings menu / AV Mute / Multi Display menu / Digital Zoom / Display ID & Display Name  (INPUT) HDMI / DisplayPort / DIGITAL LINK / DVI-D1 / DVI-D2 / PC / USB	



TYPE	Function	Control Command		Inquiry Command			Range and kind of parameter Call-back	Explanation	
		Transmission Command[:Parameter s]	Standby	Transmission Command[:Parameters]	Reply Command[:Parameter s]	Standby			
s e t u p	Startup image settings	Display setting	SCI:SIM*	Not avail	QCI:SIM	QCI:SIM*	Not avail	0 / 1	OFF / ON
		Image select	SCI:SCG*	Not avail	QCI:SCG	QCI:SCG*	Not avail	0 / 1	0 : Default image 1 : User image
	Multi Display Setup	Multi Display ON/OFF	MDC:*	Not avail				0 / 1	OFF/ ON
		Multi Display Setup (Detail)	MDC:EXP**	Not avail	QDC:EXP	QDC:EXP**	Not avail	0 / 1, 01 ~ 10,	OFF / ON, Horizontal Scale 1 ~ 10,
		Frame control	MDC:FCT*	Not avail	QDC:FCT	QDC:FCT*	Not avail	0 / 1 / 2 / 3 / 4 / 5	Auto / 1 / 2 / 3 / 4 / 5
		Reverse scan	MDC:RVS*	Not avail	QDC:RVS	QDC:RVS*	Not avail	0 / 1	OFF/ON
	Timer Setup		TIM:PRG** *  ***  *** **** ***	Not avail	QIM:PRG**	QIM:PRG** *  *** *** **** ***	Not avail	01 ~ 20, 0 / 1,  SUN / MON / TUE / WED / THU / FRI / SAT / EVD,  PON / POF, 0000 2359, HM1/DP1/DL1/DV1/DV2/PC1/UD1	Program number1 ~ 20, 0:OFF / 1:ON, Inquiry Command reply, A lower parameter is not given when the upper setup is "OFF." (a day of the week):Sunday / Monday / Tuesday / Wednesday / Thursday / Friday / Saturday / Everyday (Action type)PON:ON / POF:OFF, Time (hour, minute) (start-up input) HDMI / DisplayPort / DIGITAL LINK / DVI-D1 / DVI-D2 / PC / USB
	Date and time	Present Day			QIM:DAY	QIM:DAY***	Not avail	SUN / MON / TUE / WED / THU / FRI / SAT	(a day of the week): Sunday / Monday / Tuesday / Wednesday / Thursday / Friday / Saturday
		Present Time			QIM:NOW	QIM:NOW0****	Not avail	0000 ~ 2359	Present time (hour:minute)
		Date and time	TIM:DAT**** ** ** ** **	Not avail	QIM:DAT	QIM:DAT**** ** ** ** **	Not avail	YYYY : 2015 ~ 2099 MM : 01 ~ 12 DD : 01 ~ 31 hh : 00 ~ 23 mm : 00 ~ 59	(Year) (Month) (Day) (Hour) (Minute) format is "YYYYMMDDhhmm"
	Input search	Input search	ISH:FNC***	Not avail	QSH:FNC	QSH:FNC***	Not avail	OFF / ALL / PRI / IDC	OFF / ALL inputs / Custom / Input detection
		1st search input	ISH:PRI***	Not avail	QSH:PRI	QSH:PRI***	Not avail	NON / HM1 / DP1 / DL1 / DV1 / DV2 / PC1 / UD1	(None) / HDMI / DisplayPort / DIGITAL LINK / DVI-D1 / DVI-D2 / PC / USB When [Custom] is selected, 1st/2nd search input can be adjusted.
		2nd search input	ISH:SCI***	Not avail	QSH:SCI	QSH:SCI***	Not avail		
		Detect input	ISH:DIN*** +	Not avail	QSH:DIN***	QSH:DIN***+	Not avail	***:HM1 / DL1 / DV1 / DV2 / PC1 +:0 / 1	HDMI / DIGITAL LINK / DVI-D1 / DVI-D2 / PC OFF / ON
		Changing delay	ISH:CGD**	Not avail	QSH:CGD	QSH:CGD**	Not avail	00 / 01 / 02 / 03 / 04 / 05 / 06 / 07 / 08 / 09 / 10	00 : OFF 01~10 : changing time(sec)

TYPE	Function	Control Command		Inquiry Command			Range and kind of parameter Call-back	Explanation	
		Transmission Command[:Parameter s]	Standby	Transmission Command[:Parameters]	Reply Command[:Parameter s]	Standby			
s e t u p	Failover / Failback	Input Change Mode Off	SBI:OFF (NON NON *)	Not avail	QBI	QBI:OFF NON NON *	Not avail	0 / 1	0: Disable / 1 : Enable (Auto switch back mode)
	( Backup Input Setup )	Input Change Mode Quick	SBI:QIC (*** *** *)	Not avail	QBI	QBI:QIC *** *** *	Not avail	NON /HM1/DL1/DV1/DV2 NON /HM1/DL1/DV1/DV2 0 / 1	(Primary backup input) (Secondary backup input) 0: Disable / 1 : Enable (Auto switch back mode)
		Input Change Mode Normal	SBI:NOR (*** *** *)	Not avail	QBI	QBI:NOR *** *** *	Not avail	NON /HM1/DL1/DV1/DV2/PC1/UD1 NON /HM1/DL1/DV1/DV2/PC1/UD1 0 / 1	(Primary backup input) (Secondary backup input) 0: Disable / 1 : Enable (Auto switch back mode)
		Changing mode	SBI:CHM*	Not avail	QBI:CHM	QBI:CHM*	Not avail	2 / 1	High speed / Normal speed When [Quick] is selected, [Changing mode] can be adjusted.
	Backup Input Status			QBI:STS	QBI:STS * *** *	Not avail	0 / 1 HM1/DL1/DV1/DV2/PC1/UD1 0 / 1 / 2	0: inactive / 1: active (Status) Main Input 0: Main Input / 1: Primary Backup input / 2: Secondary Backup input (Current Input Status)	
	Backup Input Signal Status			QBI:SIG	QBI:SIG * * *	Not avail	0 / 1 0 / 1 0 / 1	0 : no signal / 1 : not no signal (Main input) 0 : no signal / 1 : not no signal (Primary backup input) 0 : no signal / 1 : not no signal (Secondary backup input)  When Input change mode is not Off	
	Manual Switch Back	BIP:FSB	Not avail					Enable when Input change mode is not Off and Auto switch back mode is Disable.	
	USB media player Setup	USB media player	SUS:UMP*	Not avail	QUS:UMP	QUS:UMP*	Not avail	0 / 1	Disable / Enable
		Video Playback Mode	SUS:VPB*	Not avail	QUS:VPB	QUS:VPB*	Not avail	0 / 1	Standard / Adjust
		Resume play	SUS:RSP*	Not avail	QUS:RSP	QUS:RSP*	Not avail	0 / 1	OFF / ON
Slide show duration		SUS:SSD***	Not avail	QUS:SSD	QUS:SSD***	Not avail	010 ~ 600	10 - 600 seconds (5 second unit)	

TYPE	Function	Control Command		Inquiry Command			Range and kind of parameter Call-back	Explanation
		Transmission Command[:Parameter s]	Standby	Transmission Command[:Parameters]	Reply Command[:Parameter s]	Standby		
Options Menu	On screen display	OSP:OSD*	Not avail	QSP:OSD	QSP:OSD*	Not avail	0 / 1	OFF / ON
	Initial input	OSP:IIN***	Not avail	QSP:IIN	QSP:IIN***	Not avail	OFF / HM1 / DP1 / DL1 / DV1 / DV2 / PC1 / UD1	OFF / HDMI1 / DisplayPort / DIGITAL LINK / DVI1 / DVI2 / PC / USB
	Initial VOL level	OSP:IVL****	Not avail	QSP:IVL	QSP:IVL****	Not avail	0 / 1, 000 ~ 100	OFF / ON, 0 ~ 100
	Maximum VOL level	OSP:MVL****	Not avail	QSP:MVL	QSP:MVL****	Not avail	0 / 1, 000 ~ 100	OFF / ON, 0 ~ 100
	Input lock	OSP:INL***	Not avail	QSP:INL	QSP:INL***	Not avail	OFF / HM1 / DP1 / DL1 / DV1 / DV2 / PC1 / UD1	OFF / HDMI1 / DisplayPort / DIGITAL LINK / DVI1 / DVI2 / PC / USB
	Button lock	OSP:BTL***	Not avail	QSP:BTL	QSP:BTL***	Not avail	OFF / MEN / ALL	OFF / MENU&ENTER / ON
	Controller User level	OSP:RCM*	Not avail	QSP:RCM	QSP:RCM*	Not avail	0 / 1 / 2 / 3	OFF / User1 / User2 / User3
	PC auto setting	OSP:PAS*	Not avail	QSP:PAS	QSP:PAS*	Not avail	0 / 1	OFF / ON
	Off-timer function	OSP:OFT*	Not avail	QSP:OFT	QSP:OFT*	Not avail	0 / 1	OFF / ON
	Initial Startup	OSP:ISU***	Not avail	QSP:ISU	QSP:ISU***	Not avail	LST PON STB	LST : Last memory(return to a front state) PON : ON STB : STANDBY
	Clock Display	OSP:CLK*	Not avail	QSP:CLK	QSP:CLK*	Not avail	0 / 1	OFF / ON
	Power on message(No activity power off)	OSP:NAP*	Not avail	QSP:NAP	QSP:NAP*	Not avail	0 / 1	OFF / ON
	Power on message(Power management)	OSP:PMM*	Not avail	QSP:PMM	QSP:PMM*	Not avail	0 / 1	OFF / ON
	LAN Control Protocol	OSP:LPN***	Not avail	QSP:LPN	QSP:LPN***	Not avail	LP1 / LP2	Proctol1 / Protocol2
	OSD memory	SSU:OMY*	Not avail	QSU:OMY	QSU:OMY*	Not avail	0 / 1	OFF / ON
Audio input select	for Current Input	SAI: A+++	Not avail	QAI	QAI: V*** A+++	Not avail	*** HM1 / DP1 / DL1 / DV1 / DV2 / PC1 +++ HM1 / DP1 / DL1 / AI1 (PC1) / AI2 (VD1) / NAD	HDMI / DisplayPort / DIGITAL LINK / DVI-D1 / DVI-D2 / PC HDMI / DisplayPort / DIGITAL LINK / AUDIO1 / AUDIO2 / NO AUDIO
	for EACH INPUT	SAI: V*** A+++	Not avail	QAI:V***	QAI: V*** A+++	Not avail	*** HM1 / DP1 / DL1 / DV1 / DV2 / PC1 +++ HM1 / DP1 / DL1 / AI1 (PC1) / AI2 (VD1) / NAD	HDMI / DisplayPort / DIGITAL LINK / DVI-D1 / DVI-D2 / PC HDMI / DisplayPort / DIGITAL LINK / AUDIO1 / AUDIO2 / NO AUDIO
Long life settings	Long life mode	SLS:LLS*	Not avail	QLS:LLS	QLS:LLS*	Not avail	0 / 1 / 2	OFF / ON1 / ON2
	Auto brightness adjustment	SLS:LAL*	Not avail	QLS:LAL	QLS:LAL*	Not avail	0 / 1	OFF / ON Available when Long life mode is OFF.

TYPE	Function	Control Command		Inquiry Command			Range and kind of parameter Call-back	Explanation
		Transmission Command[:Parameter s]	Standby	Transmission Command[:Parameters]	Reply Command[:Parameter s]	Standby		
O p t i o n s  M e n u	No Signal Warning	SIT:NSW*	Not avail	QIT:NSW	QIT:NSW*	Not avail	0 / 1	0: Off /1:On On:display sends out the no signal warning.(QST:NSW*)
	No Signal Warning Timing	SIT:SWT**	Not avail	QIT:SWT	QIT:SWT**	Not avail	01 ~ 60	01 ~ 60 (minutes)
	Query status :No Signal Warning Timing	-	Not avail	QST:NSW	QST:NSW*	Not avail	0/1	1: No Signal Warning: 0: No waring for this function.
	Message of No Signal Warning (Auto) While RS-232C controls: message sent on the display automatically.	-	Not avail	-	QST:NSW*	Not avail	0/1	1: No Signal Warning: 0: No waring for this function.
	No Signal Error	SIT:NSE*	Not avail	QIT:NSE	QIT:NSE*	Not avail	0 / 1	0: Off /1:On On:display sends out the no signal error..(QST:NSE*)
	No Signal Error Timing	SIT:SET**	Not avail	QIT:SET	QIT:SET**	Not avail	01 ~ 90	01 ~ 90 (minutes)
	Query status :No Signal Error Timing	-	Not avail	QST:NSE	QST:NSE*	Not avail	0/1	1: No Signal Error 0: No error for this function.
	Message of No Signal Error Timing (Auto) While RS-232C controls: message sent on the display automatically.	-	Not avail	-	QST:NSE*	Not avail	0/1	1: No Signal Error 0: No error for this function.
	Temperature Warning	SIT:TPW*	Not avail	QIT:TPW	QIT:TPW*	Not avail	0 / 1	0: Off /1:On On:display sends out the warning temperature..(QST:TO*)
	Query status :Temperature warning	-	Not avail	QST:TO	QST:TO*	Not avail	0/1	1: "HIGH TEMPERATURE-MODE". *Please check the condition. 0: "NORMAL-MODE".
Message of Temperature warning(Auto) While RS-232C controls: message sent on the display automatically.	-	Not avail	-	QST:TO*	Not avail	0/1	1: "HIGH TEMPERATURE-MODE". *Please check the condition. 0: "NORMAL-MODE".	

TYPE	Function	Control Command		Inquiry Command			Range and kind of parameter Call-back	Explanation
		Transmission Command[:Parameter s]	Standby	Transmission Command[:Parameters]	Reply Command[:Parameter s]	Standby		
Others	Recall	DDS	Not avail					Recall
	Display ID / Display name	DDS:DID	Not avail					Display ID / Display name
	Audio Mute	AOC:*	Not avail				0 / 1	MUTE OFF / MUTE ON
	OSD Clear	VDO	Not avail					OSD Clear
	digital zoom	DZM: * * * *	Not avail	QDZ	QDZ: * * * *	Not avail	0 / 1, 1 / 2 / 3 / 4, 1 / 2 / 3 / 4 / 5, 1 / 2 / 3 / 4 / 5	OFF / ON, Enlargement factor, display position(Horizontal), display position(Vertical)
	Off Timer	ZOT:**	Not avail				00 ~ 90	0 ~ 90(minutes)
	USB media player Skip to the next playback file	UMP:NXT	Not avail	-	-	Not avail		Play next content Available using USB media player
	USB media player Skip to the previous playback file	UMP:PRE	Not avail	-	-	Not avail		Play previous content Available using USB media player
	USB media player Playback again from top of the file	UMP:RPY	Not avail	-	-	Not avail		Play top of the content Available using USB media player
	Inquiry about Signal Status of input signal	-	-	QST:SGS	QST:SGS*	Not avail	0 / 1 / 2	Signal Status information 0 : Valid signal 1 : No signal 2 : Unsupported signal
	Inquiry about Signal Frequency of input signal			QFR	QFR:H***,** V***,**	Avail	000.00 ~ 999.99, 000.00 ~ 999.99	Horizontal frequency Vertical frequency Displayed until the decimal point second place.
	Inquiry about Signal Format of input signal			QSF	QSF:M***** *****	Avail	MAX 20 Characters	Signal format information
	DIGITAL LINK Inquiry about detail of DIGITAL LINK status			QST:DLD	QST:DLD* *** * -** -** -** -** -** -** -**	Not avail	0 / 1 / 2 / 3 000-225, <20 0 / 1 / 2 -00 ~ -99 -00 ~ -99 -00 ~ -99 -00 ~ -99 -00 ~ -99 -00 ~ -99	No connect / Digital Link / LPM / Ethernet (Est. Cable Length)(m) No HDMI / HDMI(No HDCP) / HDMI(HDCP) ChannelA Signal Quality ChannelB Signal Quality ChannelC Signal Quality ChannelD Signal Quality Minimum Signal Quality Maximum Signal Quality



TYPE	Function	Control Command		Inquiry Command			Range and kind of parameter Call-back	Explanation
		Transmission Command[:Parameter s]	Standby	Transmission Command[:Parameters]	Reply Command[:Parameter s]	Standby		
Others	Auto Command Send Setting	RCM: * *					0 / 1 0 / 1 (Number of parameters is 1 to 2.)	OFF / ON --- (QSS command) OFF / ON --- (QSS:STSERR )
	Inquiry about Model Name			QMN	QMN:*****	Avail	55F16	
	Inquiry about Model			QID	QID: **. ***. *	Avail	55 VF1H J / U / W / C	55inch model market
	Software Version Main MCU			QRV	QRV: *.*.*.* VF1H	Avail	*Example 1.0000 VF1H	Version model
	Software Version Sub MCU			QRV:STB	QRV:STB **.*	Avail	*Example 01.00	Version
	Software Version EEPROM			QRV:EEP	QRV:EEP **.*	Avail	*Example 01.00	Version
	Software Version HDBaseT RX			QRV:HBT	QRV:HBT **.*.*.*.*	Avail	*Example 30.90.000C	Version
	Software Version Digital Link RX			QRV:DLR	QRV:DLR **.*.*.*.*	Avail	*Example 30.90.000C	Version Common with the Software Version HDBaseT RX
	Software Version Digital Link TX			QRV:DLT	QRV:DLT **.*.*.*.*	Avail	*Example 30.90.000C	Version
	Serial number			QSN	QSN:*****...	Avail	(9 to 15 figures of the ASCII characters)	(Alphanumeric character),(capital letter of the alphabet),(Blank),'-',(0x30-0x39,0x41-0x5a,0x20,0x2d)
	MAC Address			QMA	QMA:*****	Not Avail	0~9, A~F 12 figures	MAC Address
	LAN data Cloning - Write protect	LCL:WRP*	Not avail	QCL:WRP	QCL:WRP*	Not avail	0 / 1	OFF / ON
	SOS History			QSS	QSS:**. **. **. **. **. **	Avail	00 ~ FF. 00 ~ FF. 00 ~ FF. 00 ~ FF. 00 ~ FF. 00 ~ FF	Number of times First time SOS classification 2nd SOS classification 3n time SOS classification 3n+1st SOS classification 3n+2nd SOS classification  In the 10th time, it is arranged as follows. First time SOS classification 2nd SOS classification 9th SOS classification 10th SOS classification
	Inquiry about SOS Status			QSS:STS	QSS:STS***	Avail	NON / ERR / EXT	no SOS history / SOS generating / SOS history exists

## Protocol

### ■SERIAL terminal connection

#### Communication parameters

Signal level	RS-232C compliant
Synchronization method	Asynchronous
Baudrate	9600 bps
Parity	None
Character length	8 bits
Stop bit	1 bit
Flow control	None

#### Signal names for SERIAL IN terminal:

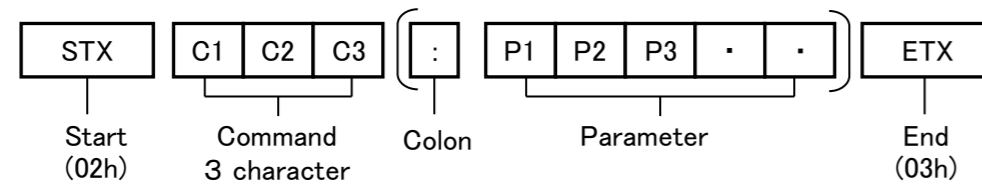
Pin No.	Signal Name
②	RXD
③	TXD
④	DTR
⑤	GND
⑥	DSR
⑦	↑ (Shorted in this set)
⑧	
⑨	NC

These signal names are those of computer specifications.

type of cable : straight cable

#### Basic format for control data:

The transmission of control data starts with a STX signal, followed by the command, the parameters, and lastly an ETX signal in that order. If there are no parameters, the colon ":" does not need to be sent.



00	10	20	30	40	50	60	70
00	DE	0	@	P	p		
01	SH	D1	!	1	A	Q	a
02	SX	D2	"	2	B	R	b
03	EX	D3	#	3	C	S	c
04	ET	D4	\$	4	D	T	d
05	EQ	NK	%	5	E	U	e
06	AK	SN	&	6	F	V	f
07	BL	EB	'	7	G	W	w
08	BS	CN	(	8	H	X	h
09	HT	EM	)	9	I	Y	y
0A	LF	SB	*	:	J	Z	j
0B	HM	EC	+	:	K	[	k
0C	CL	→	.	<	L	¥	
0D	CR	←	-	=	M	]	m
0E	SO	↑	.	>	N	^	n
0F	SI	↓	/	?	O	_	o

(Example)

#### Power on

Character	STX	P	O	N	ETX
-----------	-----	---	---	---	-----

#### Binary

Binary	02	50	4F	4E	03
--------	----	----	----	----	----

#### Picture+85

Character	STX	V	P	C	:	P	I	C	0	8	5	ETX
-----------	-----	---	---	---	---	---	---	---	---	---	---	-----

#### Binary

Binary	02	56	50	43	3A	50	49	43	30	38	35	03
--------	----	----	----	----	----	----	----	----	----	----	----	----

#### Notes:

- If an incorrect command is sent, this unit will reply an "ER401" command to the computer.
- If customer send multiple commands, be sure to wait for the response for the first command to come before sending the next command.
- The length of the Parameters are different for each command.
- With the power off(stand-by mode), this display responds to "PON"/"QPW" command only.
- Running the Read user image of **Startup image settings**, this unit will reply an "ER401" command to the computer.

#### <When sending command with Display ID>

- When sending command with Display ID, set [**Control settings**] - [Serial ID function] to "on".
- If Display ID is "0", any ID number in command is acceptable to control.  
**However, the inquiry command is inoperable.**
- If serial ID in command is "000", it is acceptable regardless of Display ID of target display.  
**However, the inquiry command is inoperable.**
- If a command is sent with serial ID, a response will be sent to the computer only in the following cases.
  - When [display ID and serial ID] is not 0: the display ID needs to match the serial ID.
  - When serial ID is 0: it needs to set [Control settings] - [Serial response(ID all)] to "on".
  - When display ID is 0: it needs to set [Control settings] - [Serial response(ID all)] to "on". and the serial ID is 0.

## 通信規約

### ■シリアル端子接続

#### 通信条件

信号レベル	RS-232C準拠
同期方式	調歩同期（非同期）
ボーレート	9600 bps
パリティなし	なし
キャラクター長	8 ビット
ストップビット	1 ビット
フロー制御	なし

#### シリアル入力端子の信号名：

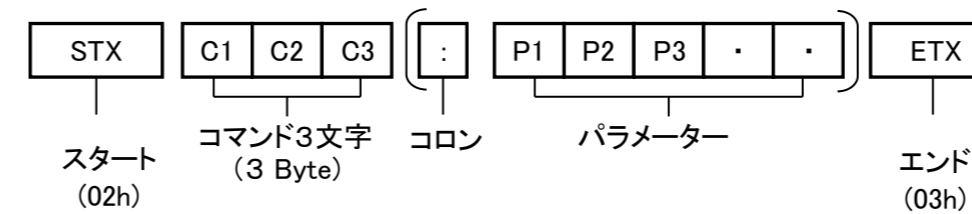
ピン No.	信号名
②	RXD
③	TXD
④	DTR
⑤	GND
⑥	DSR
⑦	↑ (本体側で短絡)
⑧	
⑨	NC

これらの信号名はコンピュータ仕様のものです。

ケーブル種 : ストレート

#### 基本フォーマット：

データは、「STX」、「コマンド」、「パラメーター」、「ETX」の順に送信してください。パラメーターを必要としないコマンドを送信する場合は、コロン（:）を付けなくてください。



00	10	20	30	40	50	60	70
00	DE	0	@	P	p		
01	SH	D1	!	1	A	Q	a
02	SX	D2	"	2	B	R	b
03	EX	D3	#	3	C	S	c
04	ET	D4	\$	4	D	T	d
05	EQ	NK	%	5	E	U	e
06	AK	SN	&	6	F	V	f
07	BL	EB	'	7	G	W	w
08	BS	CN	(	8	H	X	h
09	HT	EM	)	9	I	Y	y
0A	LF	SB	*	:	J	Z	j
0B	HM	EC	+	:	K	[	k
0C	CL	→	.	<	L	¥	
0D	CR	←	-	=	M	]	m
0E	SO	↑	.	>	N	^	n
0F	SI	↓	/	?	O	_	o

(コマンド例)

#### 電源オンコマンド

キャラクタ	STX	P	O	N	ETX
-------	-----	---	---	---	-----

#### バイナリ

バイナリ	02	50	4F	4E	03
------	----	----	----	----	----

#### ピクチャー+85設定

キャラクタ	STX	V	P	C	:	P	I	C	0	8	5	ETX
-------	-----	---	---	---	---	---	---	---	---	---	---	-----

#### バイナリ

バイナリ	02	56	50	43	3A	50	49	43	30	38	35	03
------	----	----	----	----	----	----	----	----	----	----	----	----

#### その他

- 間違ったコマンドを受信すると、「ER401」という応答コマンドを返信します。
- 複数コマンドで制御する場合は、送信側が本機の応答を受け取ってから、次のコマンドを送信することを想定しています。

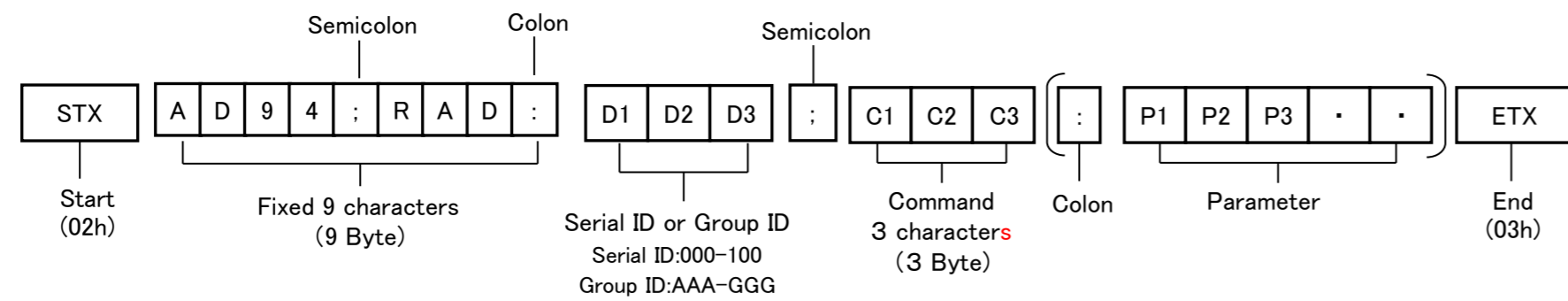
- パラメータの長さはコマンドごとに異なります。
- 電源「スタンバイ」状態（リモコンで電源「切」）中は「PON"/"QPW"コマンド以外の動作は保証されません。
- **スタートアップイメージ**設定のユーザーイメージ読み込みを実行中にコマンドを受信すると、「ER401」という応答コマンドを返信します。

#### <ID付コマンドで制御する場合>

- シリアルID付で制御する場合は、「**コントロール設定**」メニューの「シリアルID機能」をオンに設定してください。
- ディスプレイIDが0の場合、コマンドに付与するシリアルIDはどのような数字でも制御します。  
**但し、問合せコマンドは動作不可です。**
- 送信するコマンドのシリアルIDを"000"とすると、ディスプレイIDに関係なく制御します。(シリアルIDオール機能)  
**但し、問合せコマンドは動作不可です。**
- ID付コマンドを送信した場合、以下の時のみコンピューターへの応答を返します。
  - ディスプレイID、シリアルID が0以外の場合:ディスプレイIDとシリアルID が一致した時
  - シリアルIDが0の場合:「**コントロール設定**」メニューの「応答(シリアルID オール)」がオンの時
  - ディスプレイIDが0の場合:シリアルIDが0 かつ「**コントロール設定**」メニューの「応答(シリアルID オール)」がオンの時

How to send to add "Serial ID"

Serial ID Format	<STX>AD94;RAD:<NUM1><NUM2><NUM3>;*****<ETX> (Serial Control Only)
Group ID Format	(ex.) Serial ID = 1 <STX>AD94;RAD:001;PON<ETX> (ex.) Group ID = A <STX>AD94;RAD:AAA;PON<ETX>



- AD94;RAD: is fixed characters when sending command with ID.
- Serial ID is 3 characters and specified with Display ID which will be controlled.
  - If Display ID is 1, Serial ID is 001.
  - If Display ID is 15, Serial ID is 015.
- Group ID is 3 same characters and specified with Serial ID group which will be controlled.
  - If Serial ID group is A, Group ID is AAA.
  - If Serial ID group is B, Group ID is BBB.

- Sets [Serial control] which terminal to use for input for serial communication.
  - SERIAL IN : SERIAL IN terminal
  - DIGITAL LINK : DIGITAL LINK terminal
- When using daisy chaining, set [Control settings] - [Serial daisy chain position] correctly.
- When using daisy chaining by serial terminal, use a straight cable which pin No.② through ⑥ are hard wired.
- Sets **Group ID in [Serial ID Group]** of [Control settings] menu. Options are A/B/C/D/E/F/G.
  - Sets whether or not to return a response command when the command with group ID has been received. [Control settings] - [Serial response(ID group)]

■ Control via LAN

The communication differs whether [Options] - [LAN control protocol] is set to [Protocol 1] or [Protocol 2].

<When [LAN control protocol] is set to [Protocol 1].>

- When the WEB control administrator privileges password has been set (Protect mode) Connection method
- 1. Obtain the display's IP address and the port number (Default is 1024), and request connection to the display. (The IP address and the port number can be obtained from menus. For details, see the manual).
- 2. The display responds.

Data part	Space	Mode	Space	Random number part	Last terminal symbol
『PDPCONTROL』 (ASCII character string)	『 』 0x20	『1』 0x31	『 』 0x20	『zzzzzzzz』 (ASCII code hex number)	(CR) 0x0d
10bytes	1byte	1byte	1byte	8bytes	1byte

- 3. Hash the following data with the MD5 algorithm, and generate a 32-byte hash value. 『zzzzzzzzyyyyyy』
- zzzzzzzz : 8-byte random number obtained in step 2
- yyyyyy : WEB control administrator privileges user password

Command transmission method  
Transmit in the following command format.

Transmitted data

Header	Control symbol	Data part	Control symbol	Last terminal symbol
(STX)	(ETX)	Control command (ASCII character string)	(ETX)	(CR)
32bytes	1byte	Undefined	1byte	1byte

Received data

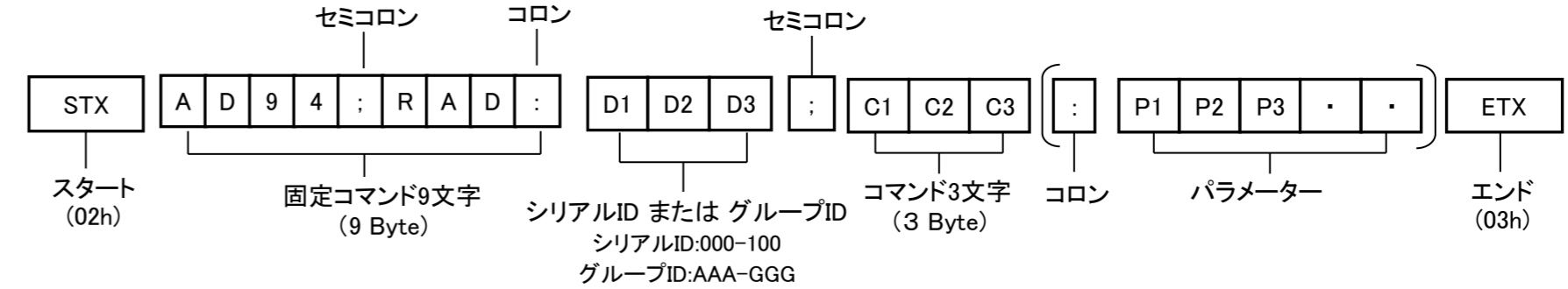
Control symbol	Data part	Control symbol	Last terminal symbol
(STX)	Control command (ASCII character string)	(ETX)	(CR)
0x02	0x03	0x03	0x0d
1byte	Undefined	1byte	1byte

- When the WEB control administrator privileges password has not been set (Non protect mode) Connection method
- 1. Obtain the display's IP address and the port number (Default is 1024), and request connection to the display.
- 2. The display responds.

Data part	Space	Mode	Last terminal symbol
『PDPCONTROL』	『 』	『1』	『 』
(ASCII character string)	0x20	0x31	0x20
10bytes	1byte	1byte	1byte

ID付コマンドフォーマット

Serial ID Format	<STX>AD94;RAD:<NUM1><NUM2><NUM3>;*****<ETX> (シリアル制御のみ)
Group ID Format	(例) Serial ID = 1の場合 <STX>AD94;RAD:001;PON<ETX> (例) Group ID = Aの場合 <STX>AD94;RAD:AAA;PON<ETX>



- AD94;RAD: は、シリアルID付きコマンドを送る場合に必要固定文字列です。
- シリアルIDには、制御したいディスプレイのディスプレイIDを3文字で指定します。
  - ディスプレイID が 1 の場合、シリアルIDは 001 になります。
  - ディスプレイID が 15 の場合、シリアルIDは 015 になります。
- グループIDには、制御したいディスプレイのシリアルIDグループを3個続けて3文字で指定します。
  - シリアルIDグループが A の場合、グループIDは AAA になります。
  - シリアルIDグループが B の場合、グループIDは BBB になります。

- 「**コントロール設定**」メニューの「シリアル制御」は、本機をどのように制御するかによって以下のように設定してください。
  - SERIAL IN : 「SERIAL IN」端子から制御する場合
  - DIGITAL LINK : DIGITAL LINK 機器もしくは本機の DIIGITAL LINK 出力経路で制御する場合
- デジチェーン(DIGITAL LINK/シリアル端子)でシリアル制御を行う場合は「**コントロール設定**」メニューの「シリアルデジチェーン接続位置」を正しく設定してください。
- シリアル端子でデジチェーン接続する場合は、ピンNo.②～⑥が結線されているストレートケーブルを使用してください。
- グループIDは「**コントロール設定**」メニューの「シリアルIDグループ」で設定します。A/B/C/D/E/F/Gが設定できます。グループID指定のコマンドに対して、本機が応答を返すかどうかは、「**コントロール設定**」メニューの「応答(シリアルIDグループ)」で設定します。

■ LAN経由制御

「Options」メニューの「LAN control protocol」の設定が「Protocol1」か「Protocol2」かによって通信内容が異なります。

<「LAN control protocol」の設定が「Protocol1」の場合>

- WEB制御アドミニストレータ権限パスワード設定時 (プロテクトモード) 接続方法
- 1. ディスプレイのIP アドレスとポート番号を取得してディスプレイへ接続を要求してください。 (IPアドレスとポート番号は、メニューから確認できます。詳細は取扱説明書を参照してください)
- 2. ディスプレイからの応答があります。

データ部	空白	モード	空白	乱数部	終端記号
『PDPCONTROL』 (ASCII文字列)	『 』 0x20	『1』 0x31	『 』 0x20	『zzzzzzzz』 (ASCIIコード16進数)	(CR) 0x0d
10バイト	1バイト	1バイト	1バイト	8バイト	1バイト

- 3. MD5アルゴリズムを用いて、以下のデータから32バイトのハッシュ値を生成してください。 『zzzzzzzzyyyyyy』
- zzzzzzzz : 手順 2 で取得した8バイトの乱数
- yyyyyy : WEB 制御のアドミニストレータ権限ユーザーのパスワード

コマンド送信方法  
以下のコマンド形式で送信してください。

送信データ

ヘッダー	制御記号	データ部	制御記号	終端記号
(STX)	(ETX)	制御コマンド (ASCII文字列)	(ETX)	(CR)
32バイト	1バイト	不定長	1バイト	1バイト

受信データ

制御記号	データ部	制御記号	終端記号
(STX)	制御コマンド (ASCII文字列)	(ETX)	(CR)
0x02	0x03	0x03	0x0d
1バイト	不定長	1バイト	1バイト

- WEB制御アドミニストレータ権限パスワード非設定時 (非プロテクトモード) 接続方法
- 1. ディスプレイのIP アドレスとポート番号を取得してディスプレイへ接続を要求してください。
- 2. ディスプレイからの応答があります。

データ部	空白	モード	終端記号
『PDPCONTROL』	『 』	『1』	『 』
(ASCII文字列)	0x20	0x31	0x20
10バイト	1バイト	1バイト	1バイト



『PDPCONTROL』 (ASCII character string)	「J」 0x20	「0」 0x30	(CR) 0x0d
10bytes	1byte	1byte	1byte

Command transmission method  
Transmit in the following command format.

Transmitted data

Control symbol	Data part	Control symbol	Last terminal symbol
(STX) 0x02	Control command (ASCII character string)	(ETX) 0x03	(CR) 0x0d
1byte	Undefined	1byte	1byte

Received data

Control symbol	Data part	Control symbol	Last terminal symbol
(STX) 0x02	Control command (ASCII character string)	(ETX) 0x03	(CR) 0x0d
1byte	Undefined	1byte	1byte

<When [LAN control protocol] is set to [Protocol 2].>

・When the WEB control administrator privileges password has been set (Protect mode)

Connection method

1. Obtain the display's IP address and the port number (Default is 1024), and request connection to the display.
2. The display responds.

Data part	Space	Mode	Space	Random number part	Last terminal symbol
『NTCONTROL』 (ASCII character string)	「J」 0x20	「1」 0x31	「J」 0x20	『zzzzzzz』 (ASCII code hex number)	(CR) 0x0d
9bytes	1byte	1byte	1byte	8bytes	1byte

3. Hash the following data with the MD5 algorithm, and generate a 32-byte hash value.  
『xxxxxx:yyyyy:zzzzzzz』

xxxxxx : WEB control administrator privileges user name  
yyyyy : Above administrator privileges user password  
zzzzzzz : 8-byte random number obtained in step 2

Command transmission method

Transmit in the following command format.

Transmitted data

Header	Data part		Last terminal symbol
Hash value	「0」 0x30	「0」 0x30	Control command (ASCII character string) 0x0d
32bytes	1byte	1byte	Undefined 1byte

Received data

Header	Data part		Last terminal symbol
「0」 0x30	「0」 0x30	Control command (ASCII character string)	(CR) 0x0d
1byte	1byte	Undefined	1byte

・When the WEB control administrator privileges password has not been set (Non protect mode)

Connection method

1. Obtain the display's IP address and the port number (Default is 1024), and request connection to the display.
2. The display responds.

Data part	Space	Mode	Last terminal symbol
『NTCONTROL』 (ASCII character string)	「J」 0x20	「0」 0x30	(CR) 0x0d
9bytes	1byte	1byte	1byte

Command transmission method

Transmit in the following command format.

Transmitted data

Header	Data part		Last terminal symbol
「0」 0x30	「0」 0x30	Control command (ASCII character string)	(CR) 0x0d
1byte	1byte	Undefined	1byte

Received data

Header	Data part		Last terminal symbol
「0」 0x30	「0」 0x30	Control command (ASCII character string)	(CR) 0x0d
1byte	1byte	Undefined	1byte

(Note)

When setting to [Protocol 2], the response in the case that sent the inquiry command is omitted the first four characters of command.

Example:

Control Command	Inquiry Command
-----------------	-----------------

『PDPCONTROL』 (ASCII文字列)	「J」 0x20	「0」 0x30	(CR) 0x0d
10バイト	1バイト	1バイト	1バイト

コマンド送信方法  
以下のコマンド形式で送信してください。

送信データ

制御記号	データ部	制御記号	終端記号
(STX) 0x02	制御コマンド (ASCII文字列)	(ETX) 0x03	(CR) 0x0d
1バイト	不定長	1バイト	1バイト

受信データ

制御記号	データ部	制御記号	終端記号
(STX) 0x02	制御コマンド (ASCII文字列)	(ETX) 0x03	(CR) 0x0d
1バイト	不定長	1バイト	1バイト

<「LAN control protocol」の設定が「Protocol2」の場合>

・WEB制御アドミニストレータ権限パスワード設定時（プロテクトモード）

接続方法

1. ディスプレイのIP アドレスとポート番号を取得してディスプレイへ接続を要求してください。
2. ディスプレイからの応答があります。

データ部	空白	モード	空白	乱数部	終端記号
『NTCONTROL』 (ASCII文字列)	「J」 0x20	「1」 0x31	「J」 0x20	『zzzzzzzz』 (ASCIIコード16進数)	(CR) 0x0d
8バイト	1バイト	1バイト	1バイト	8バイト	1バイト

3. MD5アルゴリズムを用いて、以下のデータから32バイトのハッシュ値を生成してください。  
『xxxxxx:yyyyy:zzzzzzz』

xxxxxx : WEB 制御のアドミニストレータ権限ユーザー名  
yyyyy : 上記アドミニストレータ権限ユーザーのパスワード  
zzzzzzz : 手順 2 で取得した8バイトの乱数

コマンド送信方法

以下のコマンド形式で送信してください。

送信データ

ヘッダー	データ部		終端記号
ハッシュ値	「0」 0x30	「0」 0x30	制御コマンド (ASCII文字列) 0x0d
32バイト	1バイト	1バイト	不定長 1バイト

受信データ

ヘッダー	データ部	終端記号
「0」 0x30	「0」 0x30	制御コマンド (ASCII文字列) 0x0d
1バイト	1バイト	不定長 1バイト

・WEB制御アドミニストレータ権限パスワード非設定時（非プロテクトモード）

接続方法

1. ディスプレイのIP アドレスとポート番号を取得してディスプレイへ接続を要求してください。
2. ディスプレイからの応答があります。

データ部	空白	モード	終端記号
『NTCONTROL』 (ASCII文字列)	「J」 0x20	「0」 0x30	(CR) 0x0d
9バイト	1バイト	1バイト	1バイト

コマンド送信方法

以下のコマンド形式で送信してください。

送信データ

ヘッダー	データ部	終端記号
「0」 0x30	「0」 0x30	制御コマンド (ASCII文字列) 0x0d
1バイト	1バイト	不定長 1バイト

受信データ

ヘッダー	データ部	終端記号
「0」 0x30	「0」 0x30	制御コマンド (ASCII文字列) 0x0d
1バイト	1バイト	不定長 1バイト

(お知らせ)

「Protocol2」で、問い合わせコマンドを送信した場合の応答は、コマンドの先頭4文字を省略したものを返信します。

例：

制御コマンド	問い合わせコマンド
--------	-----------

	Transmission Command	Reply Command	Transmission Command	Reply Command
Protocol1	IMS:HM1	IMS	QMI	QMI:HM1
	—	—	QPW	QPW:1
	VPC:PIC100	VPC	QPC:PIC	QPC:PIC100
Protocol2	IMS:HM1	IMS	QMI	HM1
	—	—	QPW	1
	VPC:PIC100	VPC	QPC:PIC	PIC100

For more details of the control via LAN, please obtain from the following web site.  
<http://panasonic.net/prodisplays/>

	送信コマンド	応答	送信コマンド	応答
Protocol1	IMS:HM1	IMS	QMI	QMI:HM1
	—	—	QPW	QPW:1
	VPC:PIC100	VPC	QPC:PIC	QPC:PIC100
Protocol2	IMS:HM1	IMS	QMI	HM1
	—	—	QPW	1
	VPC:PIC100	VPC	QPC:PIC	PIC100

LAN経由制御に関するより詳細な説明は、以下のサポートサイトより入手してください。  
 業務用ディスプレイ【まかせなサイト】 <http://panasonic.biz/prodisplays/>