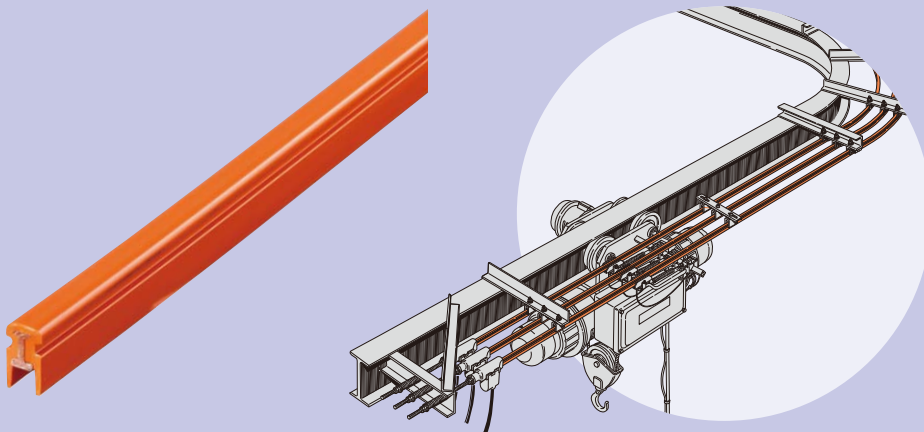


# Tro-Reel

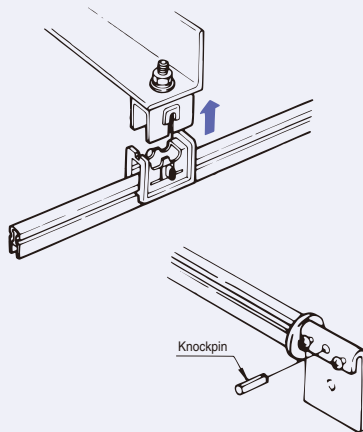
Single-Lead Insulated Trolleys for Indoor and Outdoor Use

**Quickly installable trolley  
providing up to 100m of jointless reel.  
Choose from 300A, 200A, 150A, 60A types  
depending on your load.**



### Simple installation and on-site adjustment.

The Tro-Reel can be installed in the same way as bare trolley wires, simply by securing one end, applying pressure to the other end, and supporting the unit with hangers at intervals of less than 4m (for standard installations). Attachment and removal of hangers are also quick and easy, and end tension is controlled with a simple knockpin. Even unpacking it is simple, requiring only a minimum of labor and tools. All cutting and bending needed to match the line can be done on-site.



### Up to a 100 meters without a joint.

The Tro-Reel units are extra-long so installations of up to 100m are possible without any joints. (Installation of lengths longer than 100m is also possible using intermediate tension insulators.)

### Different types for different capacities.

Tro-Reel is available in four types (300A, 200A, 150A, 60A) to cover a wide range of capacities. This provides a large power savings by allowing the selection of the exact rating of the hoist or crane being used.

#### Selection guide

Rating (A)	Electric hoists			Cranes			Travel distance	
	Less than 5t	5t or more	Less than 10t	Less than 5t	5t or more	10t or more	Short	Long
60A	○			○			○	
150A		○			○			○
200A			○			○		○
300A			○			○		○

### Easy installation of special lines.

Special lines including curved lines, endless lines, switching tracks (turntables and traversers), circuit separation, vertical curves and outdoor lines are all easy to install. Downward-facing and horizontal facing installations are also possible.

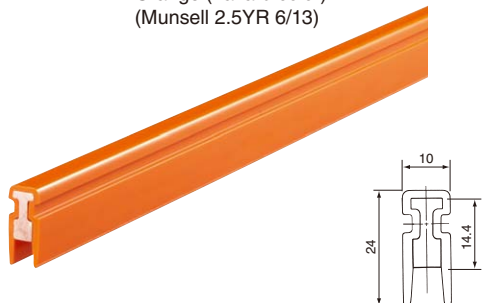
### Dependable power collection during travel.

Since the collector arms maintain stable contact pressure, there is less chance for the collectors to become separated from the leads due to vibration or swinging.

**⚠ Please follow the safety precautions on page 3.**

## 300A Tro-Reel unit (for indoor and outdoor use)

- Rating 600V, 300A
- Conductor material Copper (70mm<sup>2</sup>)
- Insulating sheath material Rigid PVC (heat resistance: 95°C)  
Orange (hazard color)  
(Munsell 2.5YR 6/13)



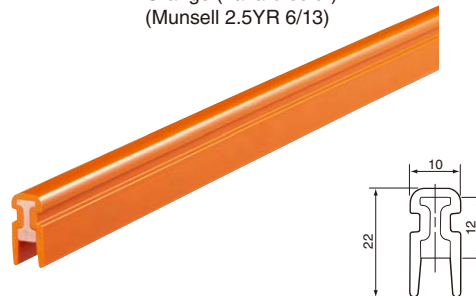
### 300A

Cat. No.	Product	Carton dimensions (mm)	Weight (kg)
DH5470	100m coil	1475×1475×50	80.0
DH5478	80m coil	1340×1340×50	64.8
DH5476	60m coil	1340×1340×50	48.6
DH5474	40m coil	1140×1140×50	33.4
DH5471	10m coil	1000×1000×50	8.6

Note: Available in coil form only.  
Contact us in case of non-standard length.

## 200A Tro-Reel unit (for indoor and outdoor use)

- Rating 600V, 200A
- Conductor material Copper (46mm<sup>2</sup>)
- Insulating sheath material Rigid PVC (heat resistance: 75°C)  
Orange (hazard color)  
(Munsell 2.5YR 6/13)



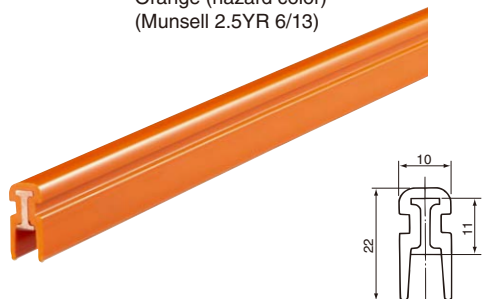
### 200A

Cat. No.	Product	Carton dimensions (mm)	Weight (kg)
DH5440	100m coil	1475×1475×50	59.0
DH5448	80m coil	1340×1340×50	48.0
DH5446	60m coil	1340×1340×50	37.0
DH5444	40m coil	1140×1140×50	26.0
DH5441	10m coil	1000×1000×50	6.4

Note: Available in coil form only.  
Contact us in case of non-standard length.

## 150A Tro-Reel unit (for indoor and outdoor use)

- Rating 600V, 150A
- Conductor material Copper (30mm<sup>2</sup>)
- Insulating sheath material Rigid PVC (heat resistance: 75°C)  
Orange (hazard color)  
(Munsell 2.5YR 6/13)



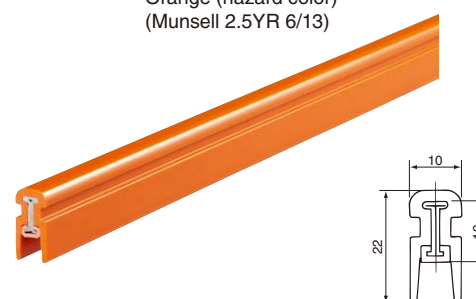
### 150A

Cat. No.	Product	Carton dimensions (mm)	Weight (kg)
DH5450	100m coil	1475×1475×50	45.0
DH5458	80m coil	1340×1340×50	36.0
DH5456	60m coil	1340×1340×50	28.0
DH5454	40m coil	1140×1140×50	20.0
DH5451	10m coil	1000×1000×50	5.4

Note: Available in coil form only.  
Contact us in case of non-standard length.

## 60A Tro-Reel unit (for indoor and outdoor use)

- Rating 600V, 60A
- Conductor materials Steel (22.5mm<sup>2</sup>) + Copper (15mm<sup>2</sup>)
- Insulating sheath material Rigid PVC (heat resistance: 75°C)  
Orange (hazard color)  
(Munsell 2.5YR 6/13)



### 60A

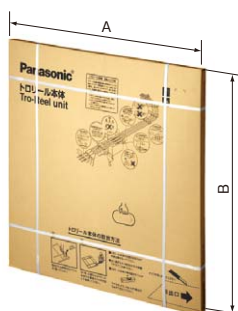
Cat. No.	Product	Carton dimensions (mm)	Weight (kg)
DH5460	100m coil	1475×1475×50	47.0
DH5468	80m coil	1340×1340×50	39.0
DH5466	60m coil	1340×1340×50	29.0
DH5464	40m coil	1140×1140×50	21.0
DH5461	10m coil	1000×1000×50	5.0

Note: Available in coil form only.  
Contact us in case of non-standard length.

## ■ Type of packing

Note: Unit to prevent the twist of the main unit body, please use DH5538K.

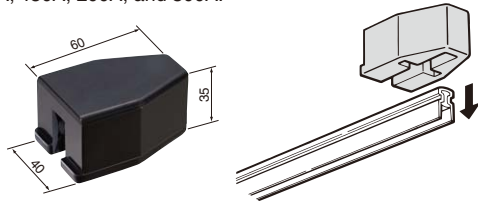
Product	Carton dimensions (mm)
	A × B
100m coil	1475×1475
80m coil	1340×1340
60m coil	1340×1340
40m coil	1140×1140
10m coil	1000×1000



### Fixed end insulator

(with  $\phi 5\text{mm}$  knock pin)

This insulator is mounted on the end of the Tro-Reel to apply tension. For 60A, 150A, 200A, and 300A.

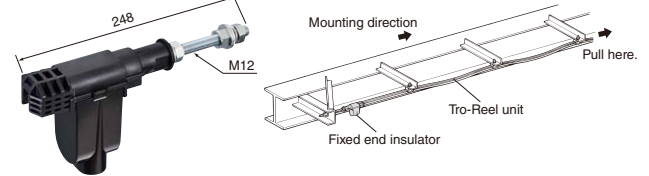


Cat. No.	Weight (kg)	Units per box	Units per carton
DH5513	0.1	3	45

### Fixed end insulator (with bolt)

(with securing terminal and  $\phi 5\text{mm}$  knock pin)

Mounted onto the end of the Tro-Reel unit to apply tension. Equipped with a lock bolt. Cannot be used for supplying power. For 60A, 150A, 200A, and 300A.

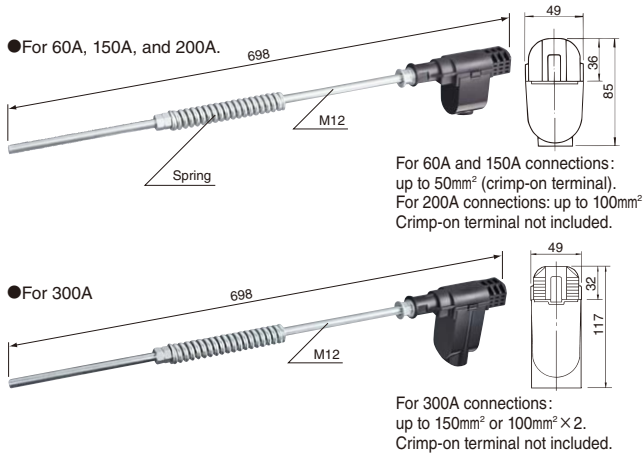


Cat. No.	Weight (kg)	Units per box	Units per carton
DH5514	0.65	1	3

### End tension insulator

(with feed-in terminal and  $\phi 5\text{mm}$  knock pin)

This insulator applies tension to the end of the Tro-Reel to absorb expansion and contraction due to temperature fluctuations. A feed-in terminal is provided for power input.

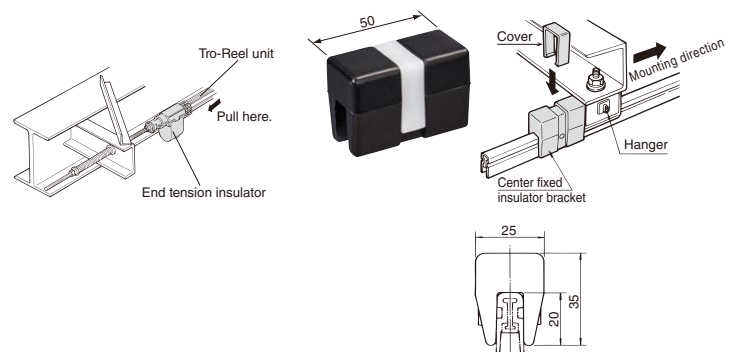


Cat. No.	Type	Weight (kg)	Units per box	Units per carton
DH5512K	For 60A, 150A	0.75	1	3
DH5522K	For 200A	1.2	1	3
DH5532	For 300A	1.2	1	3

### Center fixed insulator

(with  $\phi 5\text{mm}$  knock pin)

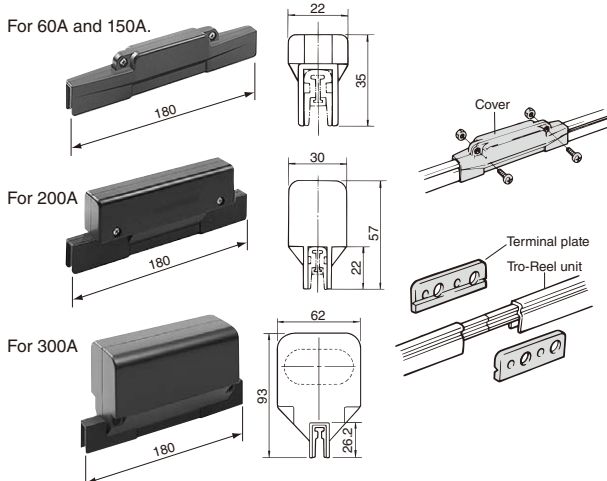
When the Tro-Reel is installed along a horizontal curve, this insulator is attached between the straight section and the curved section to apply tension to the straight section. For 60A, 150A, 200A, and 300A.



Cat. No.	Weight (kg)	Units per box	Units per carton
DH5515	0.06	3	90

### Joiner

Used to connect Tro-Reel units. (Feed-in terminal not included.)

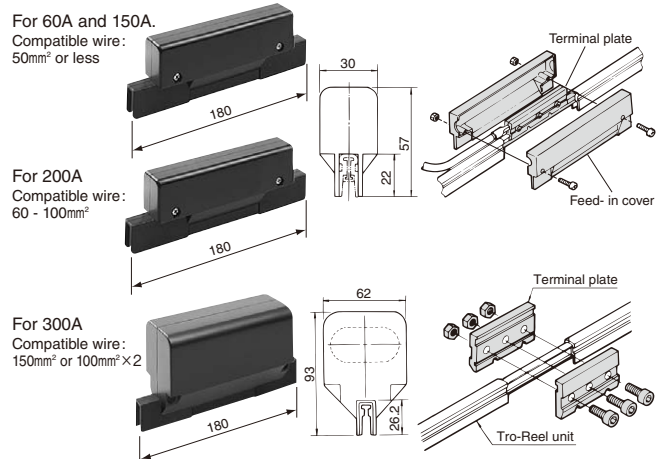


Cat. No.	Type	Weight (kg)	Units per box	Units per carton
DH5561K	For 60A, 150A	0.13	1	10
DH5563K	For 200A	0.4	1	20
DH5566	For 300A	0.4	1	6

### Center feed-in joiner

(with feed-in terminal and  $\phi 5\text{mm}$  knock pin)

Used to feed power from anywhere on the line and connect the Tro-Reel units.



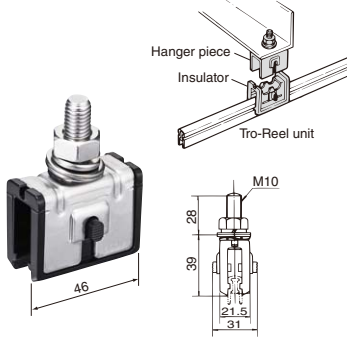
Cat. No.	Type	Weight (kg)	Units per box	Units per carton
DH5562K	For 60A, 150A	0.35	1	20
DH5564K	For 200A	0.73	1	20
DH5565	For 300A	0.53	1	6



### Standard hanger

This hanger is a support bracket used to attach the Tro-Reel units to a building structure. For 60A, 150A, 200A, and 300A.

Note : When using in locations where it may come into direct contact with cutting oil, etc., or in acidic atmospheres, strength may be diminished.

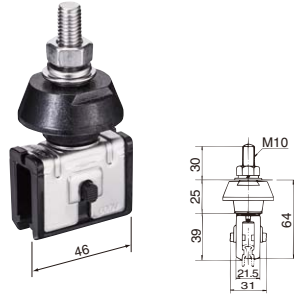


Cat. No.	Weight (kg)	Units per box	Units per carton
DH5516K	0.12	30	120

### Hanger with insulator

Used to attach the Tro-Reel units to a building structure. Especially effective for installation outdoors and in dusty places. For 60A, 150A, 200A, and 300A.

Note : When using in locations where it may come into direct contact with cutting oil, etc., or in acidic atmospheres, strength may be diminished.



Cat. No.	Weight (kg)	Units per box	Units per carton
DH5517K	0.17	20	80

### Hanger with porcelain insulator

For use in locations where corrosion resistance is especially important, such as coastal areas, cement plants, and sewage treatment facilities. For 60A, 150A, 200A, and 300A.

Note : When using in locations where it may come into direct contact with cutting oil, etc., or in acidic atmospheres, strength may be diminished.



● **Porcelain insulator attributes**  
W-skirt type insulator featuring high resistance to salt, dust and moisture. Voltage resistance: 15kV, 2 minutes Voltage resistance when subjected to water: 8kV, 1 minute

Cat. No.	Weight (kg)	Units per box	Units per carton
DH5520K	0.7	—	20

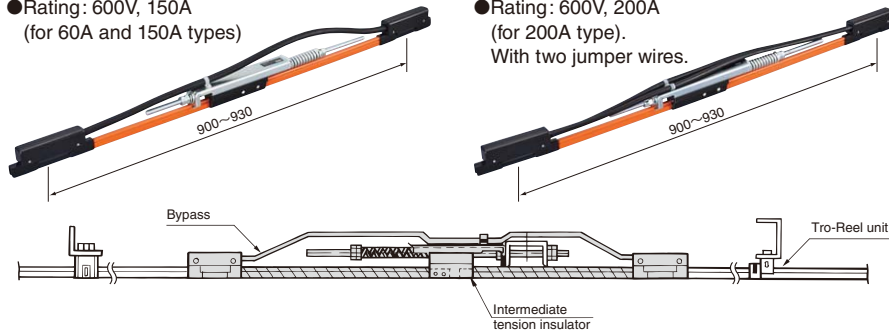
### Intermediate tension insulator

Used for intermediate tension support on circular lines and straight lines longer than 100m. It absorbs expansion and contraction due to temperature fluctuations.

● Rating: 600V, 150A (for 60A and 150A types)

● Rating: 600V, 200A (for 200A type). With two jumper wires.

● Rating: 600V, 300A (for 300A type). With two jumper wires.

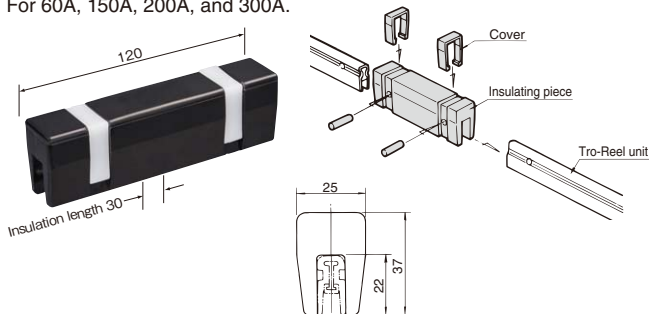


Cat. No.	Type	Weight (kg)	Units per box	Units per carton
DH5552K	For 60A, 150A	2.9	1	3
DH5553K	For 200A	3.0	1	3
DH5554K	For 300A	4.5	1	3

Note : An intermediate tension insulator must be used together with a center fixed insulator.

### Insulating piece

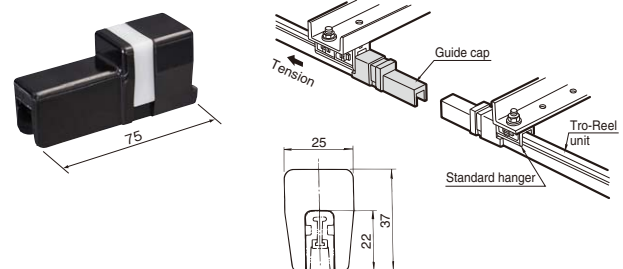
Used for electrical circuit separation. For 60A, 150A, 200A, and 300A.



Cat. No.	Weight (kg)	Units per box	Units per carton
DH5582	0.13	3	45

### Guide cap

This guide cap guides the collector arm during transfers via turntables, traversers and similar applications. For 60A, 150A, 200A, and 300A.



Cat. No.	Weight (kg)	Units per box	Units per carton
DH5581	0.07	3	30

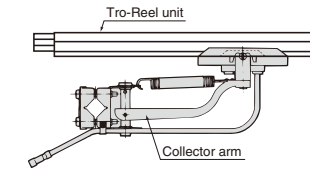
### Collector arm

Attached to the moving equipment and used to supply power from the Tro-Reel unit to the equipment.

●30A (with 3.5mm<sup>2</sup> lead) wire



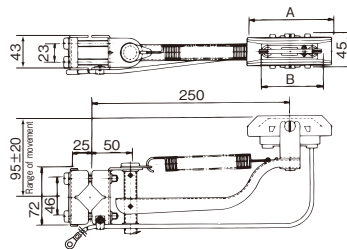
●60A (with 8.3mm<sup>2</sup> lead) wire



●100A (with 13.8mm<sup>2</sup> lead) wire



Note: When used together with a stainless steel unit, the rated current of the collector arms is one-half that shown in the table at right.



Cat. No.	Type	Tro-Reel minimum curve radius	Weight (kg)	A	B	Units per box	Units per carton
DH5240K1	30A	800mm	0.8	105	77	1	3
DH5241K1	60A	1,200mm	1.0	158	76	1	3
DH5242K1	100A	2,400mm	1.1	158	118	1	3

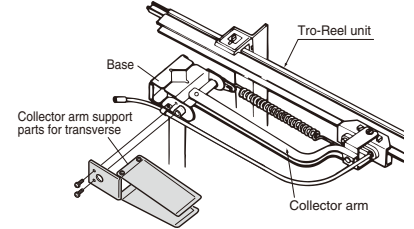
### Collector arm support parts for transverse

Applicable for 30A, 60A, and 100A collector arms.

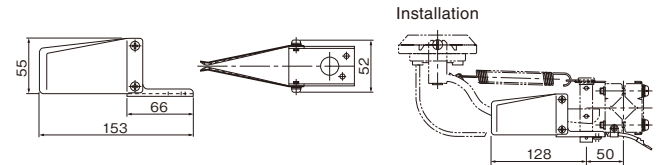
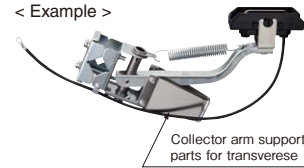
When installing a collector arm horizontally, mounted collector arm support parts for transverse on base of the collector arm as shown.



Note: Contact Panasonic Corporation for further information on vertical curves.



< Example >



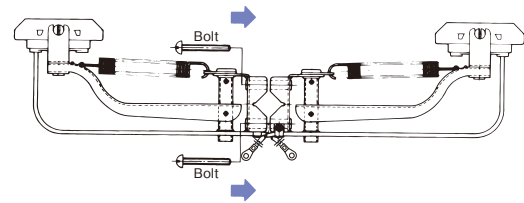
Cat. No.	Weight (kg)	Units per box	Units per carton
DH5249K	0.13	1	24

### ●Tandem type

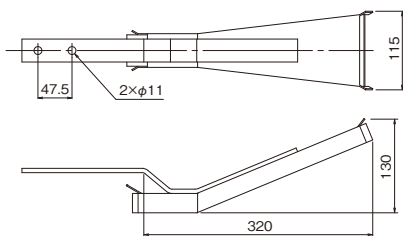
The tandem-type collector arm (two collector arms) can be used for circuit separation and transfer lines, or when it is critical that the collectors are not separated from the leads.



< Assembly drawing >



### Pickup guide (Custom-made products)



For 60A, 150A, 200A, 300A

Even when Tro-Reel is only used in parts of the line, the system is constructed so that the collector arm can be inserted smoothly from an open space to inside the trolley. However, be sure to use a centered collector arm.

### Centering-type collector arm

A type of collector arm to be used for a line that has a transfer area with a pickup guide.



Note: When used together with a stainless steel unit, the rated current of the collector arm is one-half that shown in the table at right.

※A pickup guide is a special-order item that ensures that the collector arm slides smoothly into the Tro-Reel even when used only on parts of the line.

Cat. No.	Rating	Lead	Weight (kg)	Units per box	Units per carton
DH52401K1	30A	3.5mm <sup>2</sup>	0.8	—	3
DH52411K1	60A	8.3mm <sup>2</sup>	1.0	—	3
DH52421K1	100A	13.8mm <sup>2</sup>	1.1	—	3

### Conductor cleaner (with arm)

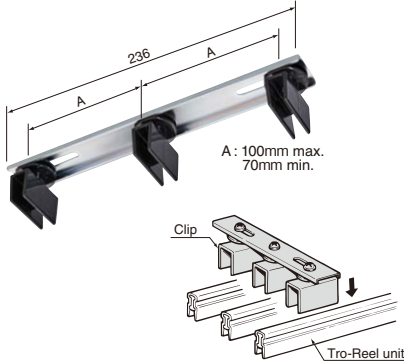
Used to clean the Tro-Reel conductor surfaces. Mount the cleaner on the collector arm mount rods for periodic cleaning.



Cat. No.	Weight (kg)	Units per box	Units per carton
DH52409K1	0.7	—	3

### Spacer

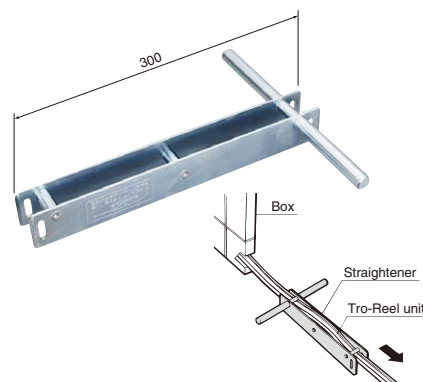
Used as a backing support for the Tro-Reel to prevent shifting and inclination.  
For 60A, 150A, 200A, and 300A.



Cat. No.	Weight (kg)	Units per box	Units per carton
DH5518	0.18	5	20

### Straightener

Used to straighten the Tro-Reel unit when removed from the coil package.  
For 60A, 150A, 200A, and 300A.

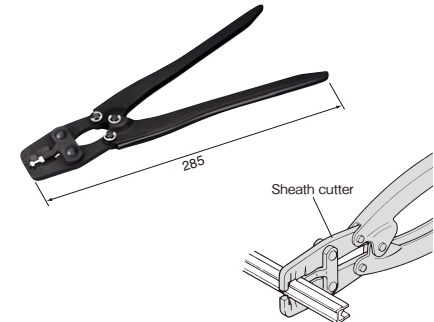


Cat. No.	Weight (kg)	Units per box	Units per carton
DH5538K	0.72	1	20

### Sheath cutter for Tro-Reel

This labor-saving tool makes it possible to cut the insulating sheath of the Tro-Reel units with just one hand.

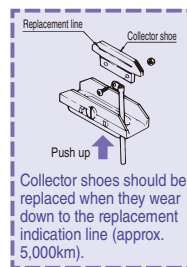
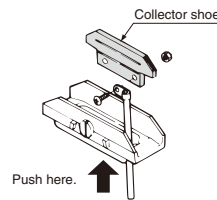
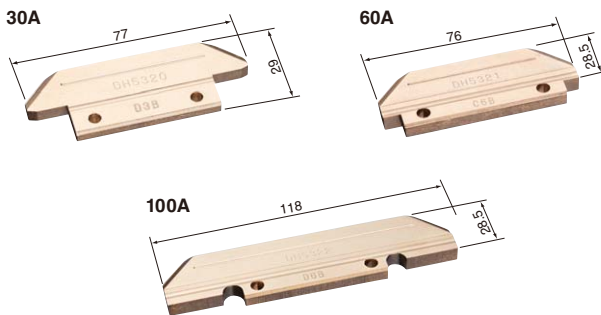
Note: Not for use with the 300A type Tro-Reel.



Cat. No.	Weight (kg)	Units per box	Units per carton
DH5575K1	0.40	1	10

### Collector shoe (Replacement parts)

●Material: Copper base sintered alloy



Cat. No.	Rating	Units per box	Units per carton
DH5320	30A	10	100
DH5321	60A	10	100
DH5322	100A	10	100

### Collector head holder (Replacement parts)



Cat. No.	Rating	Units per box	Units per carton
DH52403	For 30A	—	15
DH52413	For 60A, 100A	—	10

### Sheath repair cover (Replacement parts)

For 60A, 150A, 200A, and 300A.



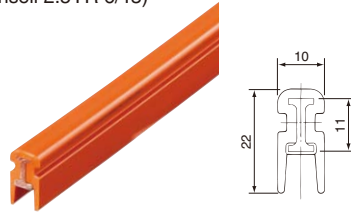
Cat. No.	Units per box	Units per carton
DH5560	1	20

## Stainless steel Tro-Reel

For use in locations where corrosion resistance is especially important, such as coastal areas, cement plants, and sewage treatment facilities. For details regarding recommended usage conditions, please contact us.

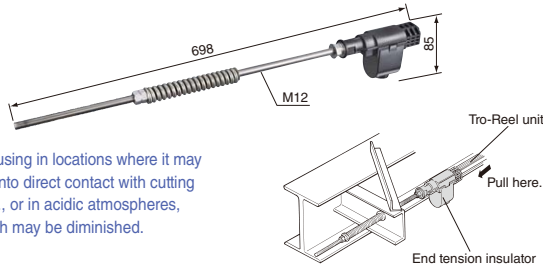
### 150A stainless steel coiled Tro-Reel unit

- Rating 600V, 150A
- Conductor materials Copper (30mm<sup>2</sup>) + Stainless steel (5.2mm<sup>2</sup>)
- Insulating sheath material Rigid PVC (heat resistance: 75°C)  
Orange (hazard color)  
(Munsell 2.5YR 6/13)



### Stainless steel end tension insulator

This insulator applies tension to the end of the Tro-Reel to absorb expansion and contraction due to temperature fluctuations.



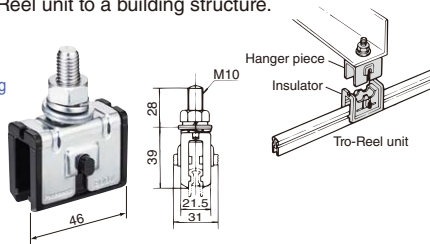
Note: When using in locations where it may come into direct contact with cutting oil, etc., or in acidic atmospheres, strength may be diminished.

Cat. No.	Weight (kg)	Units per box	Units per carton
DH5512S	0.75	1	3

### Stainless steel standard hanger

Used to secure the Tro-Reel unit to a building structure.

Note: When using in locations where it may come into direct contact with cutting oil, etc., or in acidic atmospheres, strength may be diminished.

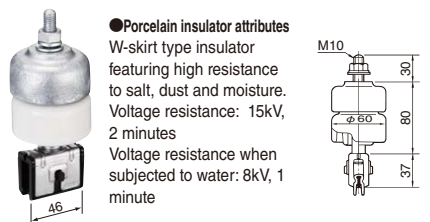


Cat. No.	Weight (kg)	Units per box	Units per carton
DH5516S1	0.12	30	120

### Hanger with porcelain insulator

Used in coastal areas, cement plants, sewage treatment facilities and other locations where improved insulation is required.

Note: When using in locations where it may come into direct contact with cutting oil, etc., or in acidic atmospheres, strength may be diminished.



- Porcelain insulator attributes
- W-skirt type insulator featuring high resistance to salt, dust and moisture.
- Voltage resistance: 15kV, 2 minutes
- Voltage resistance when subjected to water: 8kV, 1 minute

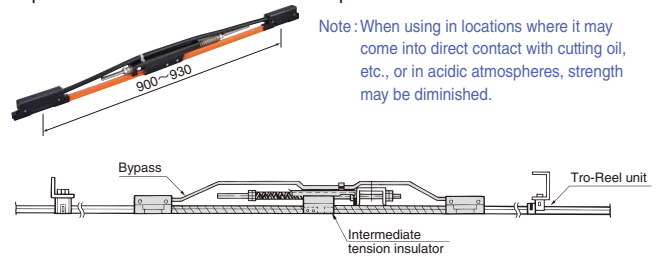
Cat. No.	Weight (kg)	Units per box	Units per carton
DH5520	0.7	—	20

Cat. No.	Product	Carton dimensions (mm)	Weight (kg)
DH5450S	100m coil	1475×1475×50	45.0
DH5458S	80m coil	1340×1340×50	37.0
DH5456S	60m coil	1340×1340×50	27.5
DH5454S	40m coil	1140×1140×50	19.7
DH5451S	10m coil	1000×1000×50	5.5

Note: Available in coil form only. Contact us in case of non-standard length.

### Stainless steel intermediate tension insulator

Used for intermediate tension support on circular lines and straight lines longer than 100m. Applies tension to the Tro-Reel unit to absorb expansion and contraction due to temperature fluctuations.



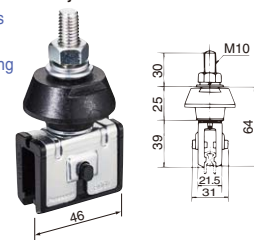
Note: When using in locations where it may come into direct contact with cutting oil, etc., or in acidic atmospheres, strength may be diminished.

Cat. No.	Rating	Weight (kg)	Units per box	Units per carton
DH5552S	150A	2.92	1	3

### Stainless steel hanger with insulator

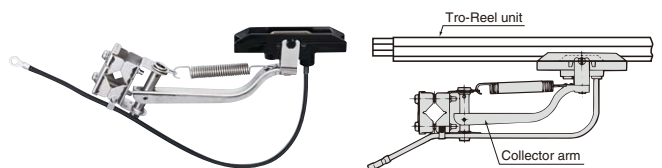
Used to secure the Tro-Reel unit to a building structure in outdoor installations or in locations subject to excessive dust.

Note: When using in locations where it may come into direct contact with cutting oil, etc., or in acidic atmospheres, strength may be diminished.



Cat. No.	Weight (kg)	Units per box	Units per carton
DH5517S1	0.17	20	80

### Stainless steel collector arm



Note: When used together with a stainless steel unit, the rated current of the collector arm is one-half that shown in the table below.

Cat. No.	Rating	Weight (kg)	Units per box	Units per carton
DH5240S1	30A	0.8	1	3
DH5241S1	60A	1.0	1	3
DH5242S1	100A	1.1	1	3