

# Safety Check Sheet & Maintenance Sheet

- At least once a year, please do self-inspection due to safety check sheet. If any abnormality occurs, immediately contact electrical worker.
- Receive the check by the specialist in the construction shop etc. once every three years.
- when will use beyond 10 years after installation, At least once a year, please do inspection due et. At least once a year at least, please accept inspection by a electrical worker to be sure. and When it passes for 15 years after installation, Please stop use promptly and exchange it.

A title	Check day	Y	D	M	The check person in charge
---------	-----------	---	---	---	----------------------------

## ⚠ Caution

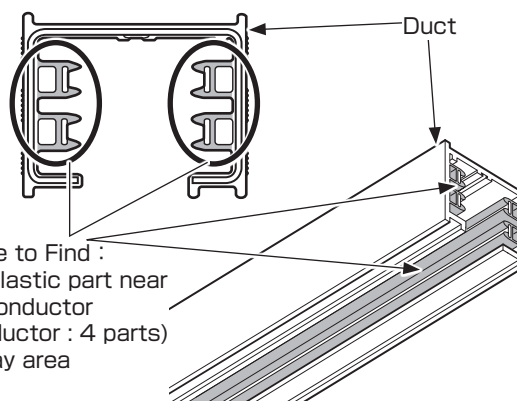
- Action against abnormal, turn off the power before, checks by the electrical worker. Not doing so will result in an electric shock, a fire, or a drop.

Result	○ : Normal	Measures	○ : Exchange required
	× : Abnormality		● : Finished with exchange
			△ : Adjustment required
			▲ : Finished with adjustment

## ■ Safety Check Sheet (Self-check) : At least once a year

		Contents of inspection	Result
Duration of use	1	Less than 10 years of use?	
		More than 15 years of use?	
conditions of use	1	Are there condense on the ducts?	
	2	Are there stains or discoloration on the inside of the duct?	
	3	Are there deposits of dust adhering to the inside of the duct?	
	4	Are there an abnormal looseness or gap?	
	5	Are the connection parts of duct straight ?	
	6	Are there such a strange odor or smell burnt?	
	7	Did blocked the earth leakage breakers?	
	8	Had the power supply of the apparatus linked to a duct turned on and off ?	

### 2. Where to Find discoloration



## ■ Maintenance Sheet(The contents of check by electrical worker)

: Least once every three years during and after completion

A title	Contents of inspection	Remedy	Result	Measures
Duct	Is there condensation?	Eliminate the cause of condensation		
	Mount the duct to the ceiling side directly, Are there loose the screw?	Retighten		
	Are there discoloration or deformation in the plastic of the duct and	Change it.		
	Are there adhesion and deposition of dust in the inside of a duct?	Remove the dirt		
	Is a straight line connecting duct?	Attachment is improved so that it may become a straight line.		
	Is the thing which is not an exclusive plug attached to the duct?	Exchange plugs.		
The parts to connect • feed-in cap • Center-feed-in joiner • Joiner • Joiner L • End cap	Are there any slack of a set screw ?	Retighten		
	Is the duct insufficient to merge ?	Iserts enough to the back.		
	Is cover detached?	Replace the cover		
	Are there discoloration or deformation in the plastic ?	Change it.		
	Are there breakage and a crack?	Change it.		
Plug	Are there loose the terminal screw?	Retighten		
	Correct direction of the attachment to the duct?	Attach after checking direction.		
	Are there loose the terminal screw?	Retighten		
	Is the plastic of the plug discoloring and changing?	Change it.		
	Are there breakage and a crack?	Change it.		
Hanger	Is the electric wire of the plug pulled?	takes a little longer		
	Are there loose hanger nat?	Retighten		
	Are there loose hanger cap?	Turns to the right until it locks.		
All	Insulation resistance: :Is the insulation resistance greater than or equal to 0.1 M Ω at 150 V or less voltage to ground? :Is the insulation resistance greater than or equal to 0.2 M Ω at 150 V or more voltage to ground?	Do pertain to your particular place and cause abnormal		