

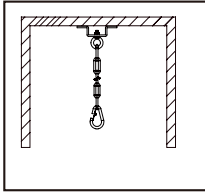
2 Installation of the lighting fixture

1. Lifting ring installation

① Install the hook

- Secure the patio hanging ring and chain to the ceiling bracket, and then install the hook to the hanging chain.

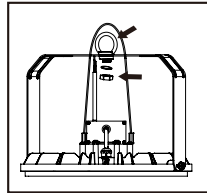
※ Ensure that the ceiling for installing the patio hanging ring is stable to prevent the lighting fixture from falling and damaging.



② Install the lifting ring of the lighting fixture

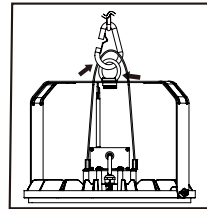
- Apply the M8 flat washer to the lifting ring, and install the lifting ring of the lighting fixture to the lighting fixture as shown in the diagram below.

- Use a screw wrench to turn the nut clockwise to secure the lifting ring of the lighting fixture.
- ※ Ensure that the locknut completely fixes the lighting fixture lifting ring to prevent the lighting fixture from falling and damaging.



③ Install the lighting fixture

- First, clip the lighting fixture lifting ring into the hook.
- Pass the safety rope on the lighting fixture through the hook.



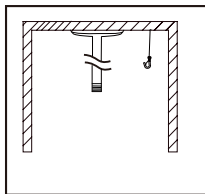
2. Hanger rod installation

① Install the hanger rod

- Fix the patio hanger rod and long-line hook to the ceiling.

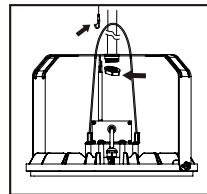
(Thread specification of hanger rod G 1/2-14)

※ Ensure that the ceiling for installing the patio hanger rod is stable to prevent the lighting fixture from falling and damaging.



② Install the lighting fixture

- Fix the lighting fixture bracket on the hanger rod first.
- Fix the locknut with a screw wrench.
- Pass the safety rope on the lighting fixture through the long-line hook.



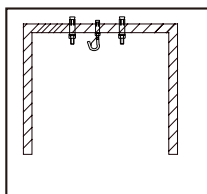
3. Bracket installation

① Install the hanger rod

- Fix the patio hanger rod and long-line hook to the ceiling.

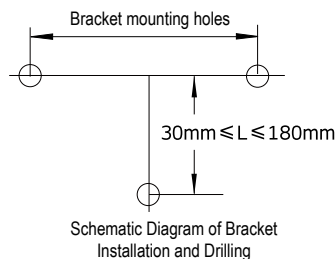
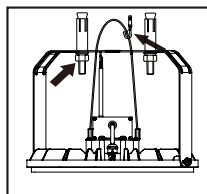
(Thread specification of hanger rod G 1/2-14)

※ Ensure that the ceiling for installing the patio hanger rod is stable to prevent the lighting fixture from falling and damaging.



② Install the lighting fixture

- Fix the lighting fixture on the ceiling with expansion screws and nuts.
- Put the safety rope of the lighting fixture through the hook of the expansion screw.
- ※ Ensure that the expansion screw completely fixes the lighting fixture lifting ring to prevent the lighting fixture from falling and damaging.



Panasonic®

User Instructions

Fixed Lighting Fixture
Lighting appliance for LED high bay



Model

(Please refer to the Specification Table)

Keep it for reference

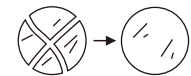
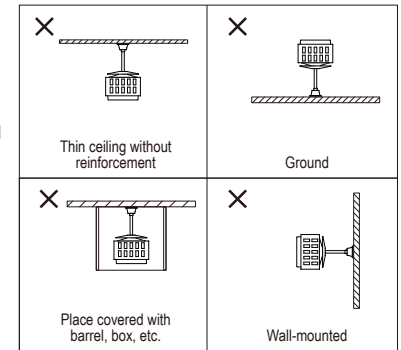
Dear Users Thank you for purchasing our products.
Please read the User Instructions carefully for correct use. Please make sure to keep it properly.

Safety Precautions

The instruction must be observed in order to prevent damage to human body and property

⚠ Warning

- During construction, please mount the lighting fixture in strict accordance with the instructions. Improper mounting will cause accidents such as falling, electric shock and fire.
- This lighting fixture is an indoor appliance. Please do not install it in the place shown on the right. Avoid causing accidents such as falling, electric shock and fire.
- Do not modify the lighting fixture to avoid accidents such as falling, electric shock and fire.
- The voltage applied shall not exceed the specified values (rated voltage 220V ~, frequency 50Hz). Avoid causing accidents such as electric shock and fire.
- Do not apply impact force to the lens, otherwise it may cause the lens to fall.
- Do not use lenses with notch or crack, otherwise the lenses may fall.
- Please do not modify the lighting fixture and replace the parts. Otherwise, it may cause accidents such as electric shock, fire and lighting fixture falling.
- When the lighting fixture gets exceptional, disconnect the power supply quickly. And contact the sales company or construction company. Avoid causing accidents such as electric shock and fire.
- The external flexible cable or cord of the lighting fixture cannot be replaced. If it is damaged, the lighting fixture should be discarded.



⚠ Note

- The temperature under the appliance is very high. Please keep the distance between the lighting fixture and the irradiated surface more than 1m. Otherwise, it may cause fire.
- Ambient temperature: $t_a 40^\circ\text{C}$
- The LED light source has color differences, and even for the products of the same model, there are differences in light color and brightness.
- The lighting fixtures are waterproof for indoor use (IP grade is IP65). If you need to use them in humid environment, please purchase waterproof connector with IP grade above IP65. Please avoid direct sunlight and do not use it in high temperature, acidic or alkaline environment.
- Please inspect it once a year by yourself according to the "Construction Record", and entrust experts from the installation company to carry out regular inspection once every 3 years. If regular inspection is not carried out, there will be a very low probability of accidents such as lighting fixture falling, electric shock and fire.
- Light source fitted inside the lighting fixture is not replaceable, and the entire lighting fixture shall be replaced when the service life of the light source expires.

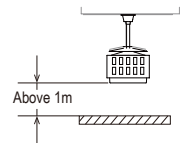


Figure 1: Schematic Diagram of Lifting Ring Installation

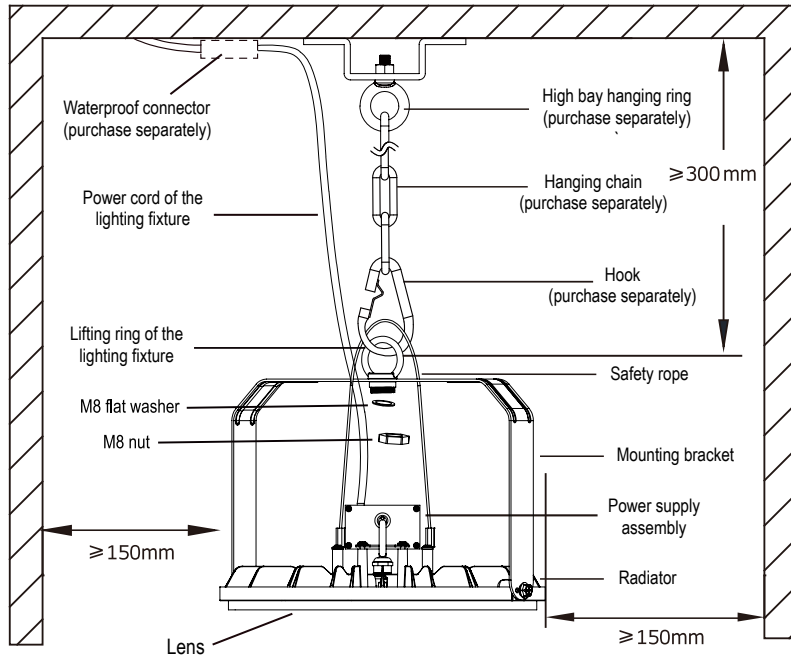


Figure 2: Schematic Diagram of Hanger Rod Installation

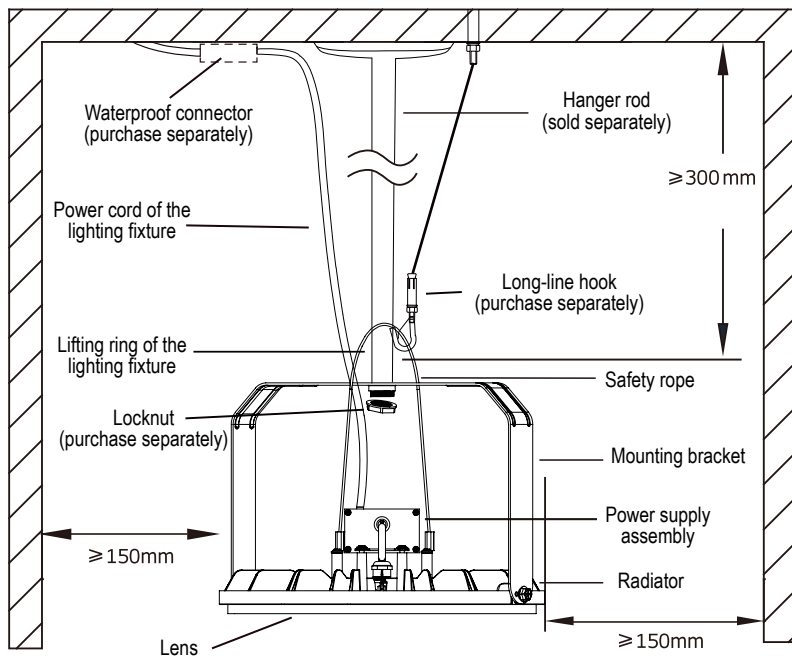
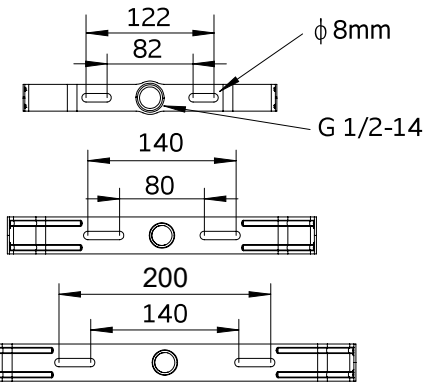
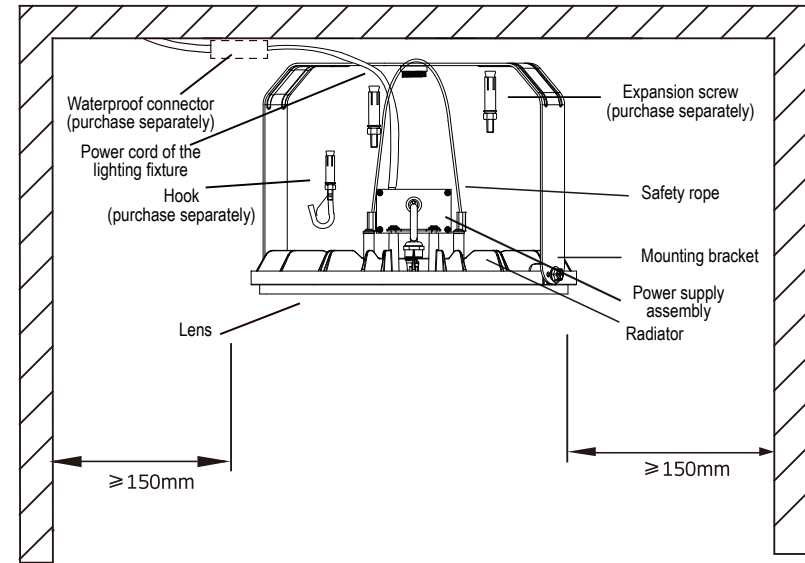


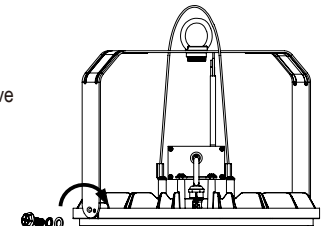
Figure 3: Schematic Diagram of Bracket



Model of lighting fixture	Distance of mounting hole
NYV20409BEAT	82mm~122mm
NYV20412BEAT	80mm~140mm

1 Preparation and confirmation before installation

- Remove the packaging accessories before installation. Please confirm the details of accessory package.
One M8 lifting ring, one M8 nut, one M8 flat washer, two M6 screws, two M6 flat washers, and two M6 spring washers.
Before installation, make sure that all packaging accessories and adhesive tapes have been removed from the lighting fixture to prevent fire.
Before installation, please assemble the mounting bracket as shown in the right picture, adjust the bracket angle and fix it.
- Please confirm that the ceiling has enough strength to bear the weight of the lighting fixture.
Avoid causing accidents such as lighting fixture falling.
- Please choose suitable installation parts according to the installation mode (as shown in the above figure).
 - ※ Lifting ring installation: high bay hanging ring, hanging chain, hook.
 - ※ Hanger rod installation: long-line hook, hanger rod.
 - ※ Bracket installation: expansion screw, hook.



3 Connection of the Power Cord

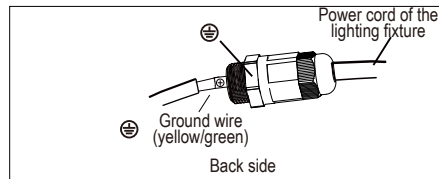
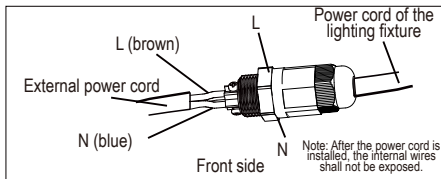
- ※ To ensure safety, please cut off the power supply before connecting the external power cord.
- The power cord is fixed with a cable tie and a hanging chain, and is connected with a waterproof connector to avoid damage caused by the power cord touching the lighting fixture body.
- It is recommended to use IP65 waterproof connector as shown in the following figure for wiring. (Waterproof connector shall be purchased separately)
- ※ Buy the waterproof connector that meets the specifications of the power cord of the lighting fixture, and cannot use the screw terminal



Please connect the external power cord to the waterproof connector correctly according to the wiring sign on the waterproof connector.

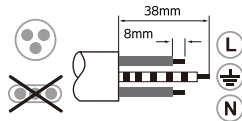
- ※ ① After connection, the brown, blue, yellow/green wires shall not expose out of the housing of the waterproof connector.
- ② The waterproof connector cannot be placed on the lighting fixture.
- ③ In order to ensure safety, please connect the ground wire first.
- ④ Arrange the power cord after installation.

※ Improper connection will easily lead to fire, electric shock and other accidents.



Specification of lighting fixture power cord

Wire diameter 3 x 1.0mm²
 L: brown wire
 N: blue wire
 Ground wire: yellow/green wire



Repair • Maintenance

- In order to use this product safely and efficiently, please clean and check it regularly (once every 6 months). Long-term use without inspection may lead to fire, electric shock, lighting fixture falling and other accidents.
- When the lighting fixture needs to be cleaned, please wipe it with soft cloth and neutral detergent and then wipe it with dry cloth.
- Please do not use detergents or organic solvents other than neutral detergents to wipe the lighting fixture. Avoid discoloration, deterioration and strength reduction of or damage to the lighting fixture.
- Please do not spray insecticide on the lighting fixture, otherwise it will cause discoloration of or damage to the lighting fixture.



Construction Record

Installation date	Light source model	Inspection date	Inspection item	Notes

Specification

Model of lighting fixture	Rated voltage	Rated current	Frequency	Power	Power factor
NYV20415BE1A	220V -240V~	0.875A	50/60HZ	190W(408X0.45W/LED Module)	0.95

- ※ Please refer to the actual lighting fixture for the style and color.
- ※ Subject to change without prior notice.
- Panasonic Manufacturing (Beijing) Co., Ltd.
- Place of origin: China

Address: No. 1 Tongji North Road, Beijing Economic and Technological Development Zone, Beijing
 Postal Code: 100176
 Tel: (010) 67882438