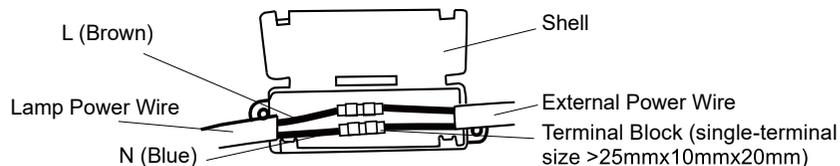


1 Preparation Before Installation

- Please remove the ceiling around the lamp before installation.
- Confirm the strength of the steel wire rope and its fixing part to ensure that it can bear the weight of the lamp.
- Use 8 M3.2X5 screws to secure four rope fasteners on the preformed holes of the lamp (Refer to page 4 for the location of preformed hole)
- See Specification Table on page 4 for installation dimensions.

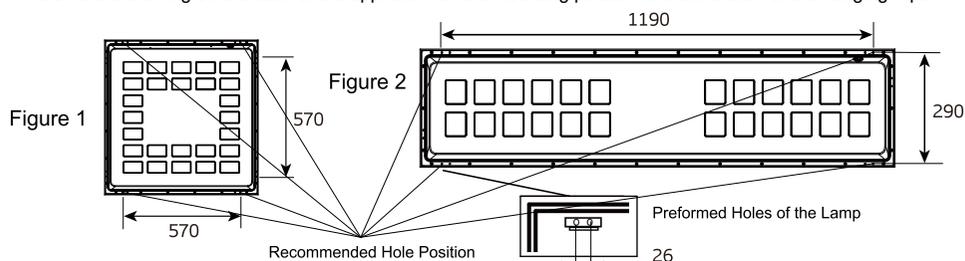
2 Connection of Power Wire (Two people are recommended for the installation)

- ※ To ensure safety, please be sure to cut off the power before connecting the external power wire.
- One person holds the lamp while the other connects the power wire, Please refer to the Installation Diagram on page 2 for the lead into of external power wire.
- It is recommended to connect the wire through a plug-in terminal block with a shell. (Terminal block is to be purchased by yourself)
Please connect the lamp power wire and the external power wire with the terminal block according to the markings on the LED control device correctly.
- ※①The brown and blue wires shall not be exposed to the terminal block shell after connection.
- ②The terminal block shall not contact with the main body of the lamp.
- ※Improper connection may cause accidents such as fire and electric shock.



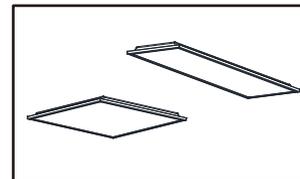
3 Install the Lifting Rope

- Remove the ceiling all around and draw 2 hanging ropes from the ceiling. See Installation Diagram on page 4.
- One person holds the lamp while the other installs the hanging rope on its fasteners of the lamp in turn.
- When lifting the lamp with the hanging rope, please make sure that the hanging rope is perpendicular to the lamp.
- After the lamp is fixed, adjust the lamp and the ceiling to maintain the level, and reassemble the ceiling around in turn.
Disassembly method: The removal step of the lamp is the opposite step of the installation method.
Refer to the drawing on the back of the appliance for the mounting position and dimension of the hanging rope



● Installation Specification

Lamp Model		External Dimensions of Lamp (mm)	Distance Size of T-Type Keel (mm)
NFV60040WE1A NFV60060WE1A	Figure 1	595 × 595 × 35	600 × 600
NFV60041WE1A NFV60061WE1A	Figure 2	1195 × 295 × 35	1200 × 300



Model
(Please refer to the specification)

To Users

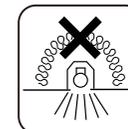
Thank you for purchasing our products.
Please read these instructions carefully before using this product, and save this manual for future use.

Safety Precautions

In order to prevent damage to body and property, these instructions must be followed.

Warning

- Please install it in strict accordance with the instructions. Improper installation may cause accidents such as falling, electric shock and fire.
- Do not install the lamp in the following places.
 - Thin ceiling with poor strength.
 - Asbestos and other soft ceiling.
 - Tilting ceiling
 Improper installation may cause accidents such as lamp falling, electric shock and fire.
- The lamp are not suitable to be covered by thermal insulation materials to avoid fire and other accidents.
- The lamps are not suitable to directly install on the surface of common combustible material.
- Do not modify the lamp and replace components. Avoid accidents such as lamp falling, electric shock and fire.
- In case of lamp malfunction, please cut off power quickly and contact dealer.
- Use it at the specified rated voltage (Rated voltage 220-240V~, Frequency 50/60Hz). If the lamp is in prolonged use exceeding the rated voltage, it may cause fire due to overheat.
- The lamp is not waterproof and moisture-proof, which is only suitable for indoor dry occasions. Improper use may lead to electric shock, fire and other phenomena.
- The external flexible cable or wire must not be replaced; if the flexible wire is damaged, the lamp shall be scrapped.



Notice

- Make sure to take out all the attachments and tape before installation to prevent fire accident.
- Do not use it with dimming equipment such as lighting controller and brightness control to avoid causing fire.
- Please be sure to install the lamp firmly to avoid falling.
- Contact electrically skilled persons for repair and inspection of the lamp to ensure safety.
- Do not install the lamp above or around any high temperature objects and flammable objects to avoid fire and other accidents.
- When the lamp is lit or has just gone off, a slight sound will be heard due to the expansion or contraction of the lamp plastic. This is normal. Other than a fault.
- The LED light source may have chromatic aberration, and even if it is the same product model, the color and brightness will be different.
- The light source of the lamp should be replaced by the manufacturer or its service agent or someone with similar qualifications.

Repair & Maintenance

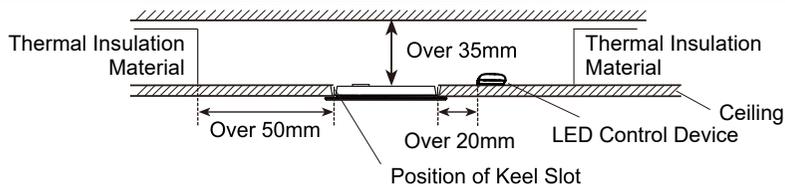
- In order to use this product safely and efficiently, please clean and check it regularly (once every 6 months). If you fail to check it, long-term use may cause some accidents such as fire, electric shock and lamp falling.
- When cleaning, please wipe the lamp with soft cloth with neutral detergent, and then wipe it up with dry cloth. Never touch the surface of the lamp with sharp objects.
- Do not use organic solvents, insecticides or detergents other than neutral detergents to wipe the lamp. Avoid discoloration, deterioration, strength loss or damage of the lamp.
- Do not spray insecticide on the lamp or it will cause the lamp discoloring or damage the lamp.



Make sure to cut off the power to avoid electric shock.

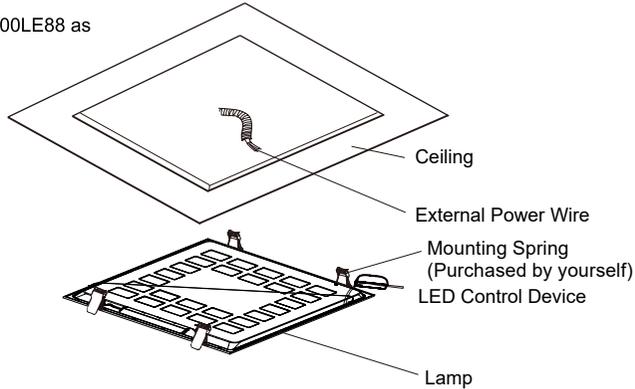
Components and Installation Methods

Before installation, make sure to cut off the power to avoid electric shock.



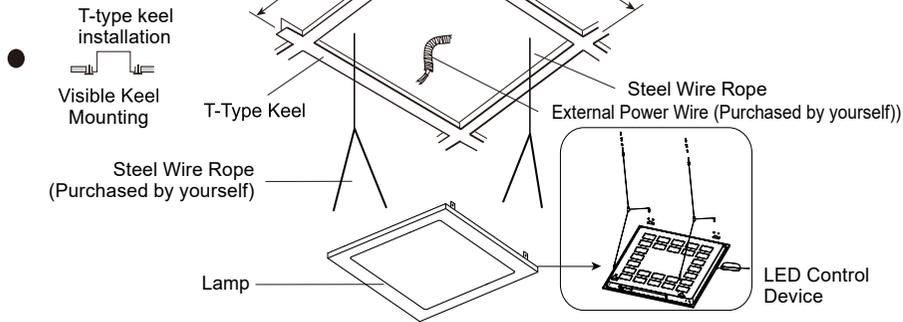
Spring Buckle Installation

Take NNFC70600LE88 as an example



Lifting Rope Installation

Take NNFC70600LE88 as an example



Specifications

Lamp Model	Rated Voltage	Frequency	Rated Current	Rated Power	Power Factor (COS Φ)
NFV60040WE1A NFV60060WE1A	220-240V~	50/60Hz	0.17A	36W (6x(6x0.9W/LED Module))	0.9
NFV60041WE1A NFV60061WE1A	220-240V~	50/60Hz	0.16A	36W (3x(16x0.67W/LED Module))	0.9

Mounting Spring (Accessory package is to be purchased by yourself)

Before installation, make sure to cut off the power to avoid electric shock.

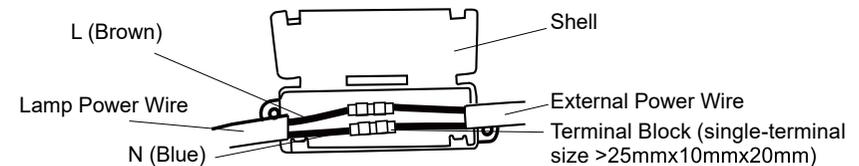
1 Preparation Before Installation

- If you choose this installation method, the installation accessory package is to be purchased by yourself (Suggest using NNFC70599RA88)
- Be sure to remove all packing accessories before installation.
- Confirm the strength of the ceiling mounting area. Be sure to support the weight of the lamp. Avoid lamp falling and other accidents.
- Use 8 M3.2X5 screws to secure four spring fasteners on the preformed holes of the lamp (Refer to page 4 for the location of preformed hole)
- Cut the appropriate embedded holes in the ceiling according to the dimensions below.
※ Improper size of the embedded hole can cause problems such as lamp falling or gap between the ceiling and the outer frame of the lamp.

Lamp Model	Inserting Hole Size (mm)	External Dimensions of Lamp (mm)	Thickness of Ceiling (mm)
NFV60040WE1A NFV60060WE1A	578 × 578 (± 2)	595 × 595 × 35	5~20
NFV60041WE1A NFV60061WE1A	1166 × 278 (± 2)	1195 × 295 × 35	5~20

2 Connection of Power Wire (Two people are recommended for the installation)

- ※ Before installation, make sure to cut off the power to avoid electric shock.
- One person holds the lamp while the other connects the power wire.
- It is recommended to connect the wire terminal block with a shell. (The terminal block is to be purchased by yourself) Please connect the lamp power wire and the external power wire with the terminal block according to the markings on the LED control device.
※ ① The brown and blue wires shall not be exposed to the terminal block shell after connection.
※ ② The terminal block shall not contact with the main body of the lamp.
※ Improper connection may cause accidents such as fire and electric shock.



3 Installation and Dismounting of the Lamp (Two people are recommended for the installation)

- One person holds the lamp while the other places the control device in the ceiling. Please refer to Installation Diagram on page 3 for detailed location.
- As shown below, install four mounting springs upward, hold the lamp and push it into the embedded hole smoothly.
- Adjust the lamp to be centered, so as to ensure the lamp to fully cover the embedded holes of ceiling.
※ 1. Improper installation will cause accidents such as lamp falling.
2. Do not install on one side, otherwise it will deform the lamp.
- Disassembly method: When disassembling, hold the middle frame of the lamp with both hands, pull it out vertically downward and slowly, and hold the spring to remove it.

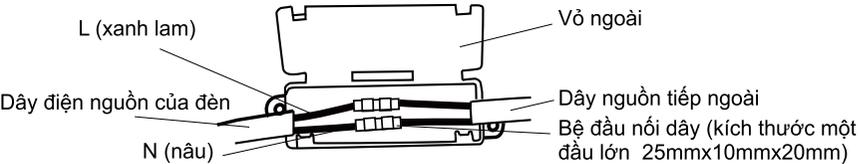


1 Chuẩn bị kỹ trước khi lắp đèn

- Trước khi lắp đặt, vui lòng tháo trần xung quanh đèn trước khi lắp.
- Xác nhận độ bền của phần cố định dây treo thép và dây treo để đảm bảo chịu được trọng lượng của đèn
- Sử dụng 8 ốc vít M3.2x5 để cố định bốn móc dây treo trên các lỗ dành riêng cho đèn. (Tham khảo trang 4 để biết vị trí của lỗ)
- Tham khảo bảng thông số kỹ thuật ở trang 4 để biết kích thước lắp.

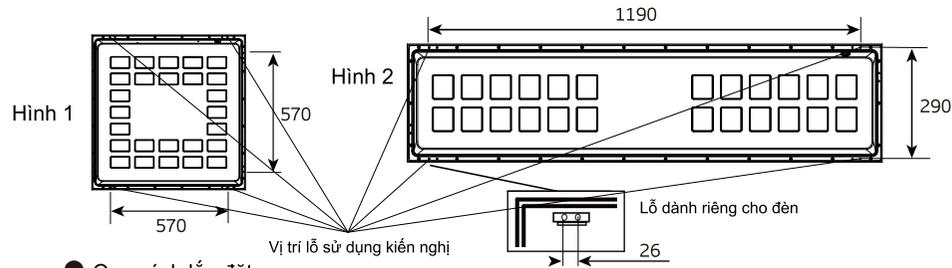
2 Nối dây nguồn (kiến nghị hai người lắp đặt)

- ※ Để đảm bảo an toàn, hãy nhớ ngắt nguồn điện trước khi kết nối cáp nguồn bên ngoài.
- Một người đỡ đèn và người kia nối dây nguồn, để biết thêm về dây nguồn nối ngoài, vui lòng tham khảo sơ đồ lắp đặt ở trang 2.
- Kiến nghị sử dụng bộ đầu có vỏ ngoài để đấu dây. (Bộ đầu được mua riêng)
- Vui lòng nối chính xác dây nguồn của đèn và dây nguồn nối ngoài vào bộ đầu theo nhãn trên thiết bị điều khiển LED.
 - ※ ① Sau khi nối, dây màu nâu, xanh lam và xanh vàng không thể lộ ngoài với vỏ ngoài của đầu nối chống thấm nước.
 - ② Không đặt bộ cuối dây nối lên đèn.
- ※ Đầu nối không đúng dễ dẫn đến hỏa hoạn, điện giật và các nguy cơ khác.



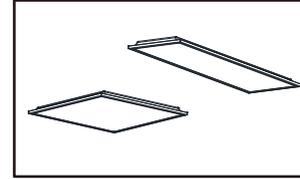
3 Lắp đặt dây treo

- Tháo tất cả trần xung quanh và rút 2 dây treo, xem sơ đồ lắp đặt ở trang 4.
 - Một người đỡ đèn, một người lần lượt lắp dây treo vào móc dây treo của đèn.
 - Khi lắp đèn bằng dây treo, hãy chú ý giữ dây treo vuông góc với trần.
 - Sau khi đèn được cố định, điều chỉnh đèn ngang với trần, lần lượt lắp các trần xung quanh.
- Phương pháp tháo gỡ: Bước tháo gỡ đèn ngược lại với phương pháp lắp đặt.
Xem hình ở mặt sau của thiết bị để biết kích thước của vị trí lắp đặt dây treo



● Quy cách lắp đặt

Model đèn		Kích thước đèn (mm)	Kích thước khoảng cách keel hình chữ T (mm)
NFV60040WE1A	Hình 1	595 × 595 × 35	600 × 600
NFV60060WE1A			
NFV60041WE1A	Hình 2	1195 × 295 × 35	1200 × 300
NFV60061WE1A			



Mã sản phẩm (Xin tham khảo bảng thông số kỹ thuật)

Khách hàng kính mến Cảm ơn quý khách đã sử dụng sản phẩm của chúng tôi.
Vui lòng đọc kỹ hướng dẫn trước khi sử dụng và giữ gìn cẩn thận hướng dẫn sử dụng này.

Các chú ý về an toàn

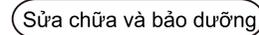
Để tránh những tổn thương về người và tài sản có thể xảy ra, xin tuân thủ nội dung hướng dẫn này.



- Không lắp đặt đèn ở những vị trí mở phòng như hình bên phải. Nếu lắp đặt không đúng cách, có thể gây tai nạn bị rơi, điện giật, hỏa hoạn v.v...
- Không lắp đèn này ở những vị trí sau.
 - Trần nhà mỏng không gia cố
 - Trần nhà mỏng chịu lực kém.
 - Trần nghiêng
- Nếu lắp đặt không đúng cách, có thể gây tai nạn bị rơi, điện giật, hỏa hoạn v.v...
- Đèn không thích hợp được bọc bằng vật liệu cách nhiệt để tránh sự cố hỏa hoạn.
- Đèn không thích hợp để lắp trực tiếp trên bề mặt vật liệu dễ cháy phổ thông.
- Vui lòng không tùy ý cải tạo đèn, tự thay linh kiện đèn. Tránh các sự cố như đèn rơi, điện giật, hỏa hoạn v.v...
- Khi đèn có dấu hiệu bất thường nên tắt ngay điện nguồn và liên hệ với nhà cung cấp
- Nguồn điện sử dụng không nên vượt quá quy chuẩn sau: (220-240V~, tần suất là 50/60Hz).
- Sử dụng với điện áp vượt điện áp định mức trong thời gian dài có thể gây ra hỏa hoạn do đèn quá nóng.
- Đèn này là loại đèn không chống thấm và chống ẩm, chỉ thích hợp để trong nhà ở nơi khô ráo, sử dụng không đúng cách có thể gây điện giật.
- Không thể thay thế cáp hoặc dây mềm bộ phận ngoài này; nếu dây mềm bị hỏng, đèn phải bỏ đi.



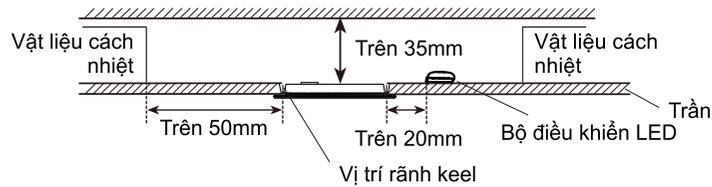
- Trước khi lắp đặt phải tháo bỏ hết các giấy tờ và keo trên thân đèn để phòng cháy nổ.
- Vui lòng không sử dụng cách thiết bị chỉnh sáng như điều khiển độ sáng đèn, công tắc chỉnh độ sáng... vì như vậy có thể gây ra hỏa hoạn.
- Đảm bảo lắp chắc chắn để tránh đèn bị rơi.
- Nhằm đảm bảo sự an toàn, khi kiểm tra đèn hay sửa chữa nên đề nghị thợ điện sửa chữa, nếu không phải thợ điện dễ xảy ra sự bất an toàn.
- Không lắp đèn bên trên hoặc xung quanh các vật thể nhiệt độ cao hoặc vật dễ cháy để tránh các sự cố hỏa hoạn
- Khi bắt đèn và tắt đèn, do sự giãn nở và co ngót của phần nhựa đèn nên tạo ra âm thanh nhỏ, hiện tượng này là rất bình thường
- Đèn LED có sai khác về màu sắc, ngay cả những sản phẩm cùng model cũng sẽ có sự khác biệt về màu sắc và độ sáng.
- Nếu muốn thay nguồn sáng của đèn thì phải được tiến hành do nhà sản xuất hoặc trung tâm bảo hành.



- Để sử dụng sản phẩm có hữu ích nhất, cần kiểm tra và vệ sinh định kỳ 6 tháng 1 lần. Nếu không tiến hành kiểm tra, sử dụng lâu ngày có thể gây ra sự cố như hỏa hoạn, hở điện, đèn bị rơi...
- Khi vệ sinh đèn cần dùng khăn mềm khô thấm dung dịch làm sạch và cọ nhẹ, tiếp sau đó dùng vải khô lau sạch. Đừng để vật sắc nhọn chạm vào phần bóng đèn và vỏ chụp của đèn
- Vui lòng không sử dụng dung dịch lau rửa khác ngoài dung dịch trung tính hoặc dung dịch hữu cơ để lau đèn.
- Đề nghị không dùng chất diệt côn trùng để phun vào đèn nhằm tránh làm đèn bị đổi màu, biến dạng, hư hỏng, v.v...

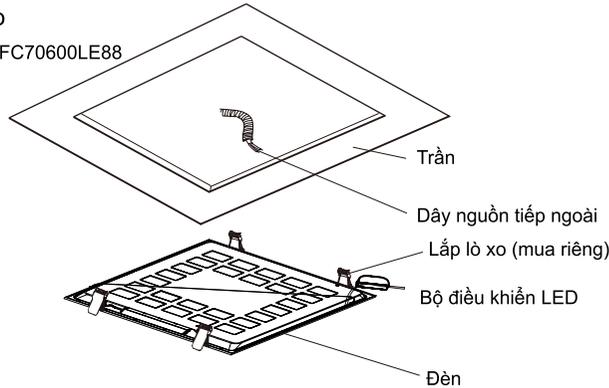


Ngắt nguồn điện là để phòng điện giật



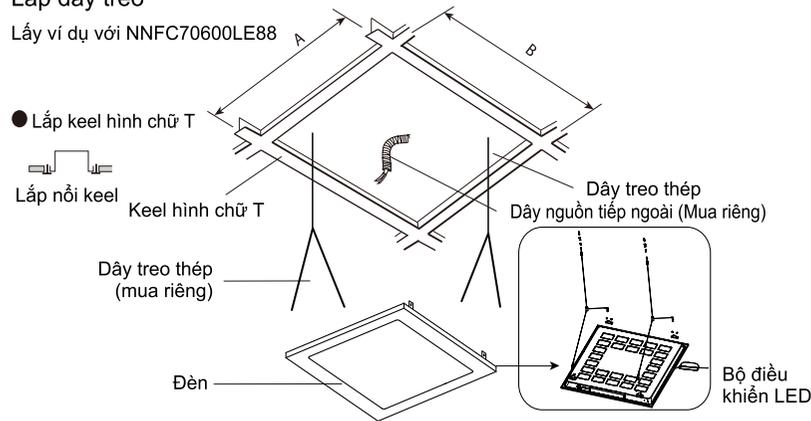
Lắp móc lò xo

Lấy ví dụ với NNFC70600LE88



Lắp dây treo

Lấy ví dụ với NNFC70600LE88



Quy cách

Model đèn	Điện áp định mức	Tần suất	Điện lưu định mức	Hệ số công suất	Hệ số công suất (COS Φ)
NFV60040WE1A NFV60060WE1A	220-240V~	50/60Hz	0.17A	36W (6x(6x0.9W/LED Mô đun))	0.9
NFV60041WE1A NFV60061WE1A	220-240V~	50/60Hz	0.16A	36W (3x(16x0.67W/LED Mô đun))	0.9

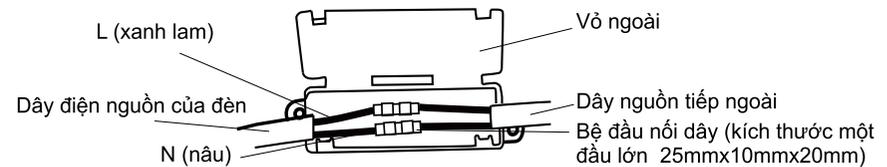
1 Chuẩn bị kỹ trước khi lắp đèn

- Nếu bạn chọn phương pháp lắp này, vui lòng mua riêng một bộ phụ kiện. (Kiến nghị dùng NNFC70599RA)
- Trước khi sử dụng phải tháo bỏ hết các phần phụ kiện đóng gói ra.
- Vui lòng xác nhận độ cứng của vị trí lắp đặt trần để đảm bảo rằng nó có thể chịu được trọng lượng của đèn. Tránh các sự cố như rơi đèn.
- Sử dụng 8 ốc vít M3.2x5 để cố định bốn móc lò xo trên các lỗ dành riêng cho đèn. (Tham khảo trang 4 để biết vị trí của các lỗ)
- Tham khảo các kích thước sau để tạo các lỗ thích hợp trên trần.
※ Kích thước lỗ ẩn không phù hợp sẽ khiến đèn bị rơi hoặc vấn đề khe hở giữa trần và khung ngoài của đèn v.v.

Model đèn	Kích thước lỗ ẩn (mm)	Kích thước ngoài của đèn (mm)	Độ dày của trần (mm)
NFV60040WE1A NFV60060WE1A	578 × 578 (± 2)	595 × 595 × 35	5~20
NFV60041WE1A NFV60061WE1A	1166 × 278 (± 2)	1195 × 295 × 35	5~20

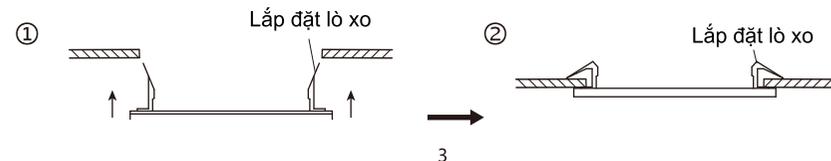
2 Nối dây nguồn (kiến nghị hai người lắp đặt)

- ※ Để đảm bảo an toàn, hãy nhớ ngắt nguồn điện trước khi kết nối cáp nguồn bên ngoài.
- Một người giữ đèn và người kia nối dây nguồn.
- Sau khi nối, dây màu nâu, xanh lam và xanh vàng không thể lộ ngoài với vỏ ngoài của đầu nối chống thấm nước. Vui lòng nối chính xác dây nguồn của đèn và dây nguồn nối ngoài vào bộ đầu theo nhãn trên thiết bị điều khiển LED.
※ ① Sau khi nối, dây màu nâu, xanh lam không thể để lộ ra ngoài vỏ bộ đầu nối dây.
② Không đặt bộ cuối dây nối lên đèn.
※ Đầu nối không đúng để dẫn đến hỏa hoạn, điện giật và các nguy cơ khác.



3 Lắp đặt và tháo gỡ (khuyến nghị hai người lắp đặt)

- Một người giữ đèn và người kia đặt thiết bị điều khiển vào trần nhà. Vui lòng tham khảo sơ đồ lắp đặt ở trang 3 để biết vị trí chi tiết.
- Như trong hình bên dưới, lắp 4 lò xo hướng lên trên, giữ đèn và đẩy nhẹ nhàng vào lỗ.
- Điều chỉnh đèn vào chính giữa và đảm bảo rằng đèn che hoàn toàn lỗ trên trần nhà.
※ 1. Nếu lắp không chắc chắn rất dễ gây ra sự cố rơi đèn.
2. Không lắp đặt một bên, nếu không đèn sẽ bị biến dạng.
- Phương pháp tháo gỡ: Khi tháo, dùng hai tay giữ phần giữa khung đèn, từ từ kéo ra theo chiều dọc xuống dưới và ấn lò xo để tháo.

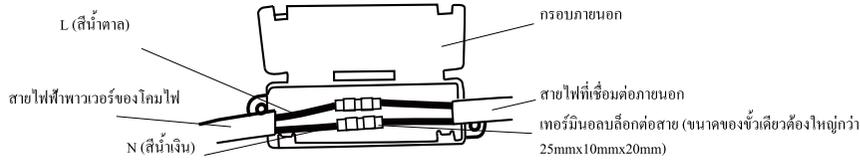


1 การเตรียมตัวก่อนการติดตั้ง

- ก่อนติดตั้ง กรุณาถอดพาดานที่อยู่บริเวณโคมไฟแล้วค่อยติดตั้ง
- ขึ้นชั้นระดับความเข้มของเชิงแขวนเส้นลาดและจุดที่ยึดติดเชิงแขวนเส้นลาดเพื่อรับประกันว่าสารรับความหนักของ โคมไฟ
- ใช้สกรูขนาด M3.2x5 8 ตัวยึดกระดุมสปริงไว้กับรูเตรียมพร้อมที่อยู่บนโคมไฟ (ตำแหน่งของรูเตรียมพร้อมต้องอ้างอิงหน้าที่ 4)
- ขนาดการติดตั้งต้องอ้างอิงตารางมาตรฐานในหน้าที่ 4

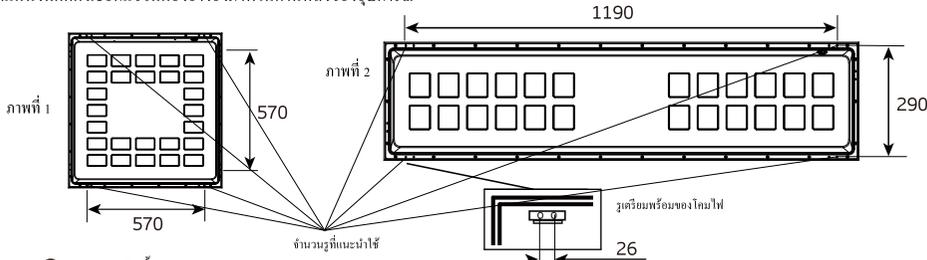
2 การต่อสายไฟฟ้าพาวเวอร์ (แนะนำให้ทำกันด้วยสองคน)

- ※ กรุณาตัดไฟก่อนต่อกับสายไฟที่เชื่อมต่อภายนอกเพื่อรับประกันความปลอดภัย
- คนหนึ่งหมุนโคมไฟ อีกคนหนึ่งต่อสายไฟฟ้าพาวเวอร์ การใส่สายไฟฟ้าพาวเวอร์เข้าไปต้องอ้างอิงภาพการติดตั้งในหน้าที่ 2
- แนะนำให้เทอร์มินอลบล็อกต่อสายที่มีกรอบภายนอกมาต่อสาย (เทอร์มินอลบล็อกต่อสายต้องจัดซื้อด้วยตัวเอง)
- นำสายไฟฟ้าพาวเวอร์ของโคมไฟและสายไฟที่เชื่อมต่อภายนอกเชื่อมต่อกับเทอร์มินอลบล็อกต่อสายให้ถูกต้องตามเครื่องหมายบนอุปกรณ์ควบคุม LED
- ※ ① หลังการเชื่อมต่อ สายไฟเหนียวนำสีน้ำตาลและสีน้ำเงิน ไม่สามารถไหลออกจากตัวกล่องเทอร์มินอลบล็อกต่อสาย
- ② เทอร์มินอลบล็อกต่อสายไม่สามารถวางบนโคมไฟ
- ※ หากเชื่อมต่อไม่ถูกต้องจะก่อให้เกิดอุบัติเหตุ เช่น ไฟไหม้และไฟดูดเป็นต้นได้



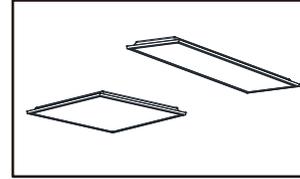
3 การติดตั้งเชิงแขวน

- ถอดพาดานที่อยู่ในรอบด้านนอกและเอาเชิงแขวนสองเส้นออกจากพาดานตามภาพการติดตั้งในหน้าที่ 4
- คนหนึ่งหมุนโคมไฟ อีกคนหนึ่งใส่เชิงแขวนเข้าไปกระดุมของเชิงแขวนของโคมไฟตามลำดับ
- เมื่อติดตั้งเชิงแขวน กรุณาทำให้มีมุมฉากระหว่างเชิงแขวนและโคมไฟ
- หลังยึดโคมไฟไว้แล้วปรับโคมไฟให้มันอยู่ในเส้นแนวระดับพื้นผิวน้ำอันเดียวกันกับพาดานและติดตั้งพาดานของรอบด้านตามลำดับให้มันเหมือนเดิม
- วิธีการถอด-ขันนอตการถอดโคมไฟตรงกันข้ามกับวิธีการติดตั้งโคมไฟ
- ตำแหน่งที่ติดตั้งเชิงแขวนต้องอ้างอิงภาพในด้านหลังของอุปกรณ์



● ขนาดการติดตั้ง

รุ่นของโคมไฟ	ขนาดของภายนอกโคมไฟ (mm)	ขนาดเว้นระยะห่างของกรงรูปร่าง T (mm)
NFV60040WE1A NFV60060WE1A	ภาพที่ 1 595 × 595 × 35	600 × 600
NFV60041WE1A NFV60061WE1A	ภาพที่ 2 1195 × 295 × 35	1200 × 300



ถึงลูกค้า

ขอขอบคุณที่ซื้อผลิตภัณฑ์ของเรา โปรดอ่านรายละเอียดก่อนใช้งานเพื่อการใช้อย่างถูกต้อง กรุณาเก็บคู่มือนี้ไว้

ข้อควรระวังด้านความปลอดภัย

ปฏิบัติตามคู่มือนี้เพื่อป้องกันความเสียหายของร่างกายและทรัพย์สินของท่าน



คำเตือน

- กรุณาปฏิบัติตามคำแนะนำอย่างเคร่งครัดในการติดตั้ง
- ถ้ามีการติดตั้งที่ไม่เหมาะสมจะง่ายต่อการเกิดปัญหา เช่น โคมไฟตกลง ไฟช็อต ไฟไหม้ ฯลฯ
- กรุณาอย่าติดตั้งโคมไฟในสถานที่ดังต่อไปนี้
 - สถานที่ที่มีระดับความเข้มต่ำ
 - สถานที่อ่อน เช่น เพลานเอื้อหินเป็นต้น
 - เพลานลาด
- ถ้ามีการติดตั้งที่ไม่เหมาะสมจะง่ายต่อการเกิดปัญหา เช่น โคมไฟตกลง ไฟช็อต ไฟไหม้ ฯลฯ
- โคมไฟไม่เหมาะสมที่จะคลุมด้วยวัสดุกันความร้อนเพื่อหลีกเลี่ยงก่อให้เกิดอุบัติเหตุ เช่น ไฟไหม้ เป็นต้น
- โคมไฟไม่เหมาะสมติดตั้งโดยตรงบนพื้นผิวของวัสดุทั่วไปที่สามารถถูกไฟไหม้ได้
- ถ้ามีการติดตั้งที่ไม่เหมาะสมจะง่ายต่อการเกิดปัญหา เช่น โคมไฟตกลง ไฟช็อต ไฟไหม้ ฯลฯ หลีกเลี่ยงอุบัติเหตุการใช้งานไม่สะดวกหรือ ไฟฟ้าช็อตและไฟไหม้และอุบัติเหตุอื่นๆ
- หากผิดปกติ กรุณาตัดไฟชั่วคราวและติดต่อกับผู้จัดจำหน่าย
- ควรใช้แหล่งจ่ายไฟที่มีแรงดันในช่วงที่ระบุไว้ (แรงดันไฟฟ้า: 220-240V~, ความถี่ 50/60Hz)
- การใช้งานที่ไม่ถูกต้องได้แรงดันไฟฟ้าที่เกินกว่าไว้ในระยะเวลายาวนานอาจทำให้ความร้อนของโคมไฟสูงเกินและก่อให้เกิดไฟไหม้
- โคมไฟที่เป็นโคมไฟไม่สามารถกันน้ำและป้องกันความชื้นได้ แต่เหมาะสมที่ใช้ในสถานที่แห้งในห้อง ถ้าใช้งานไม่ถูกต้องอาจทำให้ไฟดูดเป็นต้น
- เคเบิ้ลอ่อนหรือสายต่อภายนอกไม่สามารถเปลี่ยนได้ หากสายอ่อนเสียไป โคมไฟนั้นเป็นของชำรุดทันที



ระวัง

- ก่อนการติดตั้งโปรดตรวจสอบว่าได้ใส่อุปกรณ์เสริมและอุปกรณ์บรรจุภัณฑ์ทั้งหมดรวมทั้งพาดานออกจากโคมไฟเพื่อป้องกันไฟไหม้
- อย่าใช้กับอุปกรณ์ปรับแสงสีหรือปรับความสว่าง หลีกเลี่ยงอุบัติเหตุเช่น ไฟไหม้
- กรุณาทำการติดตั้งให้แน่นหนาเพื่อหลีกเลี่ยงโคมไฟตกลง
- เพื่อรับประกันความปลอดภัยเมื่อทำการบำรุงรักษาและตรวจสอบโคมไฟ กรุณาให้ช่างไฟฟ้าที่ชำนาญทำงาน
- กรุณาอย่าติดตั้งโคมไฟบนของที่มีอุณหภูมิสูงและของที่ไหม้ไฟได้ง่ายหรืออย่าติดตั้งโคมไฟอยู่ในบริเวณของของดังกล่าวนั้นเพื่อหลีกเลี่ยงอุบัติเหตุ เช่น ไฟไหม้ เป็นต้น
- เมื่อเปิดปิดไฟและหลังปิดไฟจะมีเสียงดังขึ้นเล็กน้อย เนื่องจากการยึด และหัวตัวของพลาสติกของตัวโคมไฟ จะไม่ใช้เสียงจากการขัดข้องของตัวโคมไฟ
- แหล่งกำเนิดของแสง LED มีสีฟ้า แม้เป็นสีที่รุนแรงเหมือนกัน แต่สีของแสงและความสว่างก็มีความแตกต่างกัน
- แหล่งกำเนิดแสงในโคมไฟนี้ควรดูแทนที่โดยผู้ผลิตหรือตัวแทนบริการหรือผู้ที่มีคุณสมบัติใกล้เคียงกัน

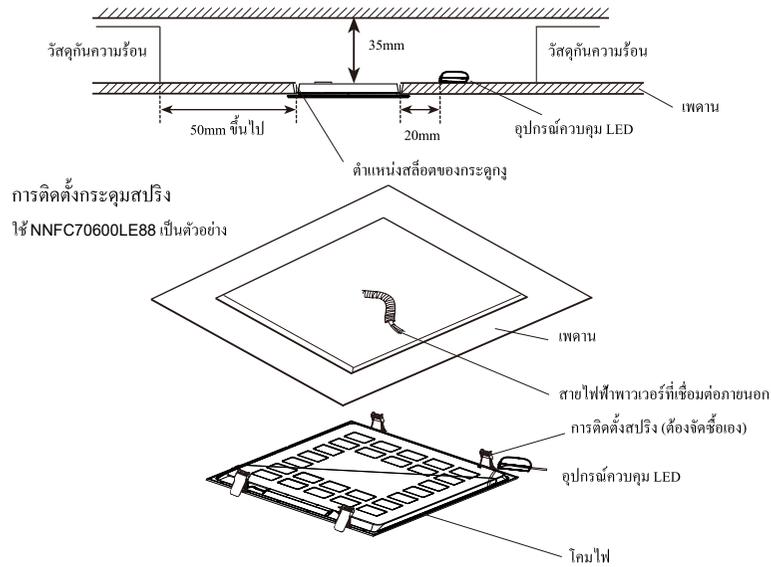


ดูแลรักษา

- เพื่อการใช้ผลิตภัณฑ์นี้ได้อย่างปลอดภัยและมีประสิทธิภาพ โปรดทำความสะอาดและตรวจสอบอย่างสม่ำเสมอ (6 เดือนต่อครั้ง)
- เมื่อต้องการทำความสะอาดอุปกรณ์โคมไฟ โปรดใช้ผ้าชุบน้ำทำความสะอาดที่เป็นกลางมิดให้แห้งก่อนเช็ดแล้วใช้ผ้าแห้งเช็ดต่อ
- ห้ามใช้น้ำยาทำความสะอาดอื่นนอกจากน้ำยาทำความสะอาดที่เป็นกลางและสารทำลายอินทรีย์หรือยาฆ่าแมลงเพื่อเช็ดผลิตภัณฑ์หลอดไฟ เพื่อหลีกเลี่ยงการทำให้อุปกรณ์โคมไฟเปลี่ยนสี หรือเสื่อมคุณภาพ และปัญหาความเสียหายอื่นๆ
- อย่าพยายามแกะลงบนโคมไฟ มิฉะนั้นโคมไฟจะเปลี่ยนสีหรือชำรุด

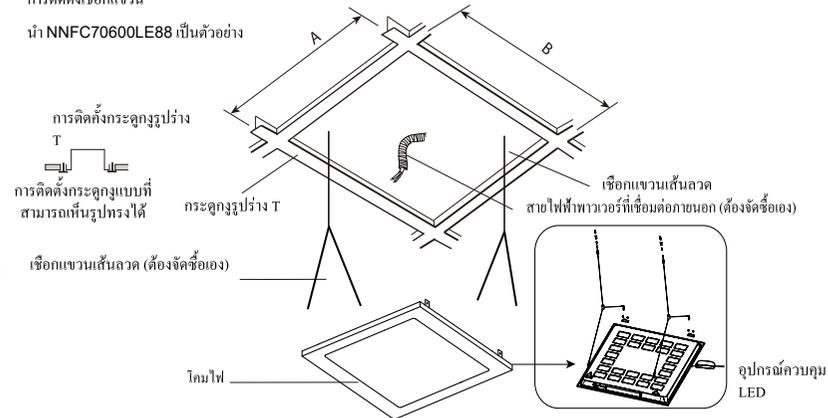


ปิดเครื่องทุกครั้งก่อนทำการติดตั้งเพื่อป้องกันไฟฟ้าช็อต



การติดตั้งเชือกแขวน

นำ NNFC70600LE88 เป็นตัวอย่าง



ข้อมูลจำเพาะผลิตภัณฑ์

รุ่น	แรงดันไฟฟ้าที่กำหนด	ความถี่	กระแสไฟฟ้าที่กำหนด	อัตรากำลังที่กำหนด	ตัวประกอบของอัตรากำลัง (COS Φ)
NFV60040WE1A NFV60060WE1A	220-240V~	50/60Hz	0.17A	36W (6x(6x0.9W/โมดูลLED))	0.9
NFV60041WE1A NFV60061WE1A	220-240V~	50/60Hz	0.16A	36W (3x(16x0.67W/โมดูลLED))	0.9

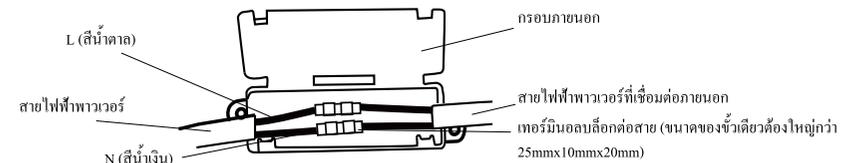
1 การเตรียมตัวก่อนการติดตั้ง

- หากเลือกวิธีการติดตั้งนี้ กรุณาจัดซื้อประเภที่เก็บชิ้นส่วนประกอบด้วยตัวเอง (แนะนำใช้ NNFC70599RA)
 - กรุณาเอาชิ้นประกอบทั้งหมดของแพ็คเกจออกก่อนติดตั้ง
 - กรุณาเขียนตำแหน่งของตำแหน่งที่จะทำการติดตั้งบนเพดานและประกันว่ามันสามารถรับน้ำหนักของโคมไฟได้เพื่อหลีกเลี่ยงก่อให้เกิดอุบัติเหตุเช่น โคมไฟตกลงเป็นต้น
 - ใช้สกรูขนาด M3.2x5 8 ตัวยึดกระดูกสปริงไว้กับรูเตรียมพร้อมที่อยู่บนโคมไฟ (ตำแหน่งของรูเตรียมพร้อมต้องอ้างอิงหน้า 4)
 - การเจาะรูอินเสิร์ทที่เหมาะสมบนเพดานต้องอ้างอิงขนาดดังต่อไปนี้
- ※ ขนาดของรูอินเสิร์ทจะไม่มีความเสี่ยงที่จะทำให้โคมไฟตกลงหรือทำให้เกิดปัญหาระหว่างเพดานกับกรอบภายนอกของโคมไฟ เช่น มีช่องว่างเป็นต้น

รุ่นโคมไฟ	ขนาดของรูอินเสิร์ท (mm)	ขนาดของภายนอกโคมไฟ (mm)	ความหนาของเพดาน (mm)
NFV60040WE1A NFV60060WE1A	578 × 578 (± 2)	595 × 595 × 35	5~20
NFV60041WE1A NFV60061WE1A	1166 × 278 (± 2)	1195 × 295 × 35	5~20

2 การต่อสายไฟฟ้าพาวเวอร์ (แนะนำให้ทำกันด้วยสองคน)

- ※ ก่อนเชื่อมต่อสายไฟฟ้าพาวเวอร์ที่เชื่อมต่อภายนอกกรุณาตัดไฟก่อนเพื่อรับประกันความปลอดภัย
 - คนหนึ่งลากโคมไฟ อีกคนหนึ่งต่อสายไฟฟ้าพาวเวอร์
 - แนะนำใช้เทอร์มินอลบล็อกต่อสายที่มีกรอบภายนอกต่อสาย (เทอร์มินอลบล็อกต่อสายต้องจัดซื้อเอง)
- นำสายไฟฟ้าพาวเวอร์ของโคมไฟและสายไฟฟ้าที่เชื่อมต่อภายนอกเชื่อมต่อกับเทอร์มินอลบล็อกต่อสายให้ถูกต้องตามเครื่องหมายบนอุปกรณ์ควบคุม LED
- ※ ① หลังการเชื่อมต่อ สายไฟเหนียวนำสีน้ำตาลและสีน้ำเงินไม่สามารถไหลออกมาจากตัวกล่องเทอร์มินอลบล็อกต่อสาย
 - ※ ② เทอร์มินอลบล็อกต่อสายไม่สามารถวางบนโคมไฟได้
- ※ หากเชื่อมต่อไม่ถูกต้องจะก่อให้เกิดอุบัติเหตุ เช่น ไฟไหม้และไฟดูดเป็นต้นได้ง่าย



3 การติดตั้งและการถอด (แนะนำทำการติดตั้งด้วยสองคน)

- คนหนึ่งหมุนโคมไฟเอาไว้ อีกคนหนึ่งใส่อุปกรณ์ควบคุมเข้าไปบนเพดาน ตำแหน่งที่ใส่สามารถดูการติดตั้งในหน้าที่ 3
 - ติดตั้งสปริง 4 ตัวอยู่ข้างบนและหมุนโคมไฟเพื่อให้โคมไฟใส่เข้าไปรูอินเสิร์ทอย่างมั่นคงและมีความปลอดภัย ดังภาพข้างล่างแสดง
 - ปรับโคมไฟให้มันอยู่ตรงกลางเพื่อให้โคมไฟสามารถปิดคลุมรูอินเสิร์ททั้งสี่
- ※ 1. ถ้าการติดตั้งไม่มีความแน่นจะก่อให้เกิดอุบัติเหตุ เช่น โคมไฟตกลงเป็นต้นได้ง่าย
2. กรุณาอย่าติดตั้งแค่ข้างเดียว มิฉะนั้นจะทำให้โคมไฟเปลี่ยนรูป
- วิธีการถอด: เมื่อถอดใช้มือจับตรงกลางของกรอบโคมไฟด้วยทั้งสองมือและลากโคมไฟออกมาตามทิศทางเส้นตรงและกดสปริงจะสามารถถอดออก

