

Specifications

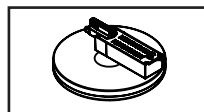
Model	Rated Voltage	Fre- quency	Rated Current	Power	Power Factor
NNV70431WEAT	220-240V~	50/60Hz	0.11A	24W (324×0.065W/LED Module)	0.9

- ※ The style and color of the lamp are based on the object.
- ※ The information may be subject to change without prior notice.

Panasonic®

Operating Instructions

Fixed Luminaires (LED Base Light)



Model

(Please refer to the Specifications)

To Users

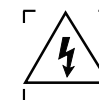
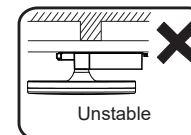
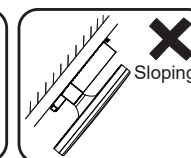
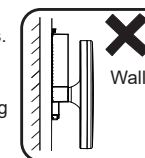
Thank you for purchasing our products.
Please read these instructions carefully before using this product, and save this manual for future use.

Safety Precautions

In order to prevent damage to human body and property, these instructions must be followed.

Warning

- Please install the luminaire in strict accordance with the Instructions. Improper installation may easily lead to accidents such as falling, electric shock and fire.
- This product is designed for using on the horizontal mounted lighting tracks. Please do not install it in places shown on the right to avoid accidents such as falling, electric shock and fire.
- Please do not modify the luminaire without permission or replace parts at will. Avoid causing accidents such as electric shock and fire.
- The light source in this luminaire should be replaced by the manufacturer or its service agent or persons with similar qualifications to avoid accidents such as fire.
- The LED light source has color differences. There are differences in light color and brightness even for the products of the same model.
- Do not apply excessive force to the luminaire, otherwise the luminaire may be damaged.
- Irradiating for a short distance or on some specific illuminated surfaces may lead to uneven light distribution.



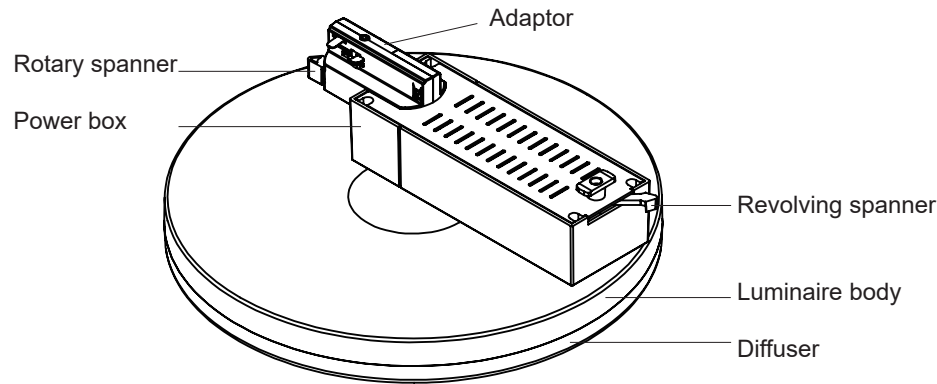
Warning, Risk of Electrical Shock

Notice

- The applied power supply shall not exceed the specified values (Rated voltage 220-240V~, Frequency 50/60Hz). Avoid electric shock, fire and other accidents caused by overheating.
- When the luminaire is abnormal, please quickly cut off the power supply and contact the dealer.
- This luminaire is for indoor using. Please do not use in circumstances such as direct exposure to sunlight, moisture or corrosive gas. Avoid causing accidents such as fire, electric shock, luminaire falling and rusting.
- Do not use in places where the temperature is beyond 5°C~35°C. Avoid causing fire accidents or shorten the service life of luminaires.
- Please do not put high-temperature objects (stove, gas cooker, etc.) or objects emitting moisture under the luminaire, to avoid fire and other accidents.
- Please do not touch the luminaire while the luminaire is on or within 10 minutes after it is off.
- Do not install luminaires densely, while overheating may lead to malfunction.
- Please do not use it together with dimmer. Avoid problems such as lighting off or failure of luminaires.

Components and Installation Methods

Before installation, make sure to cut off the power to avoid electric shock.



1 Install the luminaire on the lighting track.

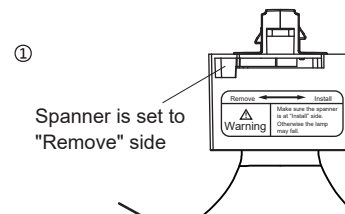
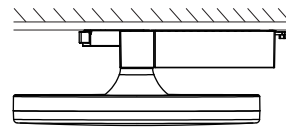
- The lighting tracks are not provided along with luminaires and need to be purchased separately. Recommended model is PRO-0310 from POWERGEAR. Please contact your local dealer for details.

- ※ The maximum bearing weight of the lighting track is 10kg, the maximum weight of a single luminaire is 2kg, and the maximum limited current is 16A.
- ※ Do not install the luminaires on mismatched lighting tracks to avoid accidents such as falling of luminaires and electric shocks.

※ Confirmation before installation

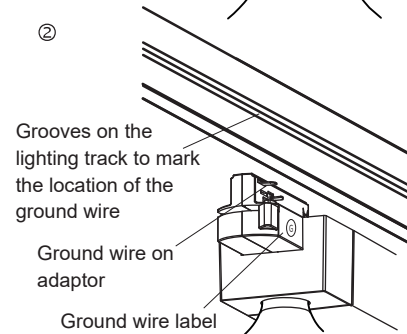
Before installation, please confirm the position of the revolving spanner of the power box and the rotary spanner of the adaptor, as well as the installation direction of the luminaire.

- ① The revolving spanner/rotary spanner should be located on the "Remove" side according to the warning labels at both ends of the power box.



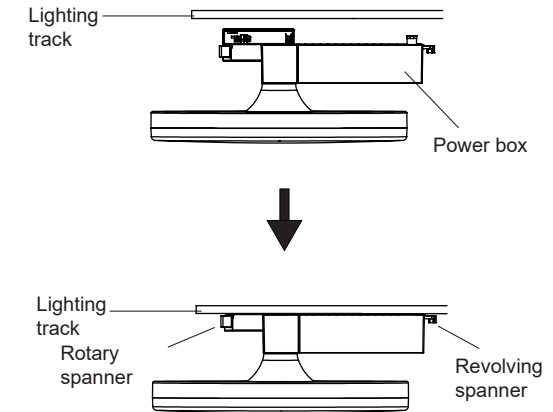
- ② There is a ground wire label on one side of the adaptor, which should be kept on the same side as the groove on the lighting track indicating the position of the ground wire.

- ※ If the installation direction is wrong, it may cause accidents such as falling of the luminaire and electric shock.



- The installation method is as follows:
Hold the luminaire with both hands, push the power box into the lighting track, and then rotate the revolving spanner/rotary spanner to the "install" side of the warning label until a "click" sound is heard, which means spanner is in place.

- ※ Improper installation will cause accidents such as falling.



2 Method of removing luminaire:

- When removing the luminaire, please hold the power box with one hand, and turn the revolving spanner and the rotary spanner back to the side of "Remove" as shown on the warning label with the other hand, and then the luminaire can be removed.
- ※ Please turn off the luminaire for more than 10 minutes before removing it.

Repair • Maintenance

Make sure to cut off power supply to avoid electric shock.

- In order to use this product safely and efficiently, please clean and check it regularly (once every 6 months).
- When the luminaire needs to be cleaned, please wipe it with soft cloth and neutral detergent and then wipe it with dry cloth.
- Please do not use detergents or organic solvents or insecticide other than neutral detergents to wipe the luminaire. Avoid discoloration, deterioration and strength reduction of or damage to the luminaire.
- To ensure safety, entrust the electrical professionals to repair/check the luminaire.

