

- In order to use this product safely and efficiently, please clean and inspect it every 6 months. If unchecked, long-term use may lead to accidents such as fire, electric shock, and lamp falling.
- The surface of the lamp may reach high temperatures when turned on. Allow it to cool down for at least 10 minutes before performing any procedures.
- When the lamp requires cleaning, please wipe it with a soft cloth dipped in neutral detergent and wrung dry, then wipe it with a dry cloth.
Do not use any sharp objects to clean the lamp.
- Do not use detergents other than neutral detergents or organic solvents to wipe the lamps. Avoid discoloration, deterioration, strength reduction, or damage to the lamp.
- Please do not spray insecticide on the lamp as it causes discoloration or damage to the lamp.

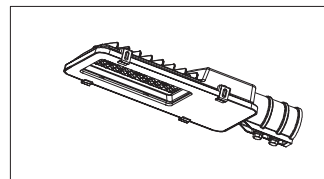


Specifications

Model No.	Rated voltage	Frequency	Rated current	Power	Power factor
NNYC2001188 NNYC2006188	220-240V~	50/60Hz	0.13A	30W (36×0.7W/LED module)	0.95
NNYC2001288 NNYC2006288	220-240V~	50/60Hz	0.29A	60W (72×0.6W/LED module)	0.95
NNYC2001388 NNYC2006388	220-240V~	50/60Hz	0.42A	90W (144×0.55W/LED module)	0.95
NNYC2001488 NNYC2006488	220-240V~	50/60Hz	0.57A	120W (144×0.75W/LED module)	0.95
NNYC2001588 NNYC2006588	220-240V~	50/60Hz	0.72A	150W(216×0.6W/LED module)	0.95
NNYC2001088 NNYC2006088	220-240V~	50/60Hz	0.9A	200W(288×0.6W/LED module)	0.95

- ※ The style and color of the actual lamps shall prevail.
- ※ It is subject to change without notice.

(Please refer to the specification table)



Dear Users

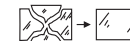
Thank you for purchasing our product.
Before use, please read carefully to ensure correct usage. Please keep this manual in a safe place.

Safety Precautions

Please abide by them

⚠ Caution

- During installation, please strictly follow the installation instructions. Improper installation can lead to falling, electric shock, fire, and other hazards.
- Do not make alterations to the lamp to prevent hazards such as falling, electric shock and fire.
- To ensure safety, please connect the ground wire before connecting the power cable.
- Do not use a voltage that exceeds the specified value (rated voltage 220V-240V~, frequency 50/60Hz). To prevent electric shock, fire, and other hazards.
- The protection level of this lamp is IP65, please do not use it in an environment that exceeds IP65; when the user connects the power cable, the IP level of the terminal block for wiring cannot be lower than that of the lamp. The terminal block is provided by the user.
- If the glass is damaged, please disconnect the power to the lamp immediately; the lamp cannot be used before the glass is replaced. To prevent electric shock, fire, and other hazards.
- Please do not install the lamp in the following places:
 1. An unstable place; 2. Narrow and deep spaces or an area where blocks the light. Improper installation can lead to falling, electric shock, fire, and other hazards.
- The light-emitting surface of the lamp has a high temperature. Please keep a distance of at least 2.5m between the lamp and the illuminated surface to avoid fire.



⚠ Note

- This lamp cannot be used in an acid or an alkaline environment.
- Before installation, please remove the packaging materials and accessories. Before installation, please make sure that all accessories and tape have been removed from the lamp to prevent fire.
- To ensure safety, please entrust the maintenance and inspection of the lamp to a qualified electrician. Maintenance by non-professionals is prone to danger.
- Please do not install the lamp on any high-temperature objects or place any high-temperature objects on the side of the lamp.
- When the lamp is malfunctioning, please disconnect the power immediately and contact the sales company or the installation company.
- If the external cable or cord of this lamp is damaged, the cord must be replaced by the manufacturer, the service agent, or an equivalently qualified person to avoid danger.
- The light source of this lamp should be replaced by the manufacturer, the service agent, or an equivalently qualified person to avoid danger.



WARNING, risk of electric shock

- This lamp is not dimmable, please do not use dimming equipment, such as dimmer switch, to prevent damaging the lamp.
- During maintenance, do not touch the light source 10 minutes within turning off the light to avoid burns caused by overheating.
- LED light sources have chromatic aberration. Even products of the same model will have differences in light color and brightness.

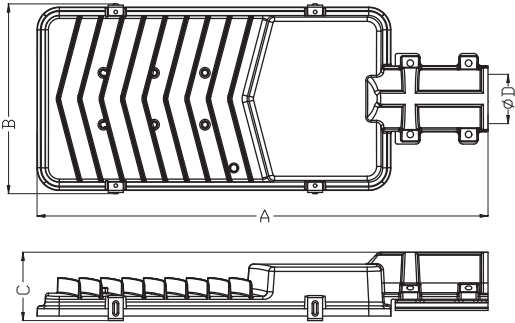
- Please do not use dimming equipment, such as lighting control system and dimmer switch, to prevent damaging the lamp.
- During maintenance, do not touch the light source 10 minutes within turning off the light to avoid burns caused by overheating.
- LED light sources have chromatic aberration. Even products of the same model will have differences in light color and brightness.
- Please understand in detail the guidelines for connecting the power wires to ensure the correct connection from the power cord to the lamp.
- Please use this lamp in an environment of 5-45°C.
- Please follow the "Checking Record" and conduct independent inspections every 6 months, and professional inspections every 3 years to prevent potential safety hazards such as falling lamps and electric shocks.

Checking Record

			Remarks
Installation date			
Model of light source			
Inspection date			
Overhaul items			

Preparing for Installation

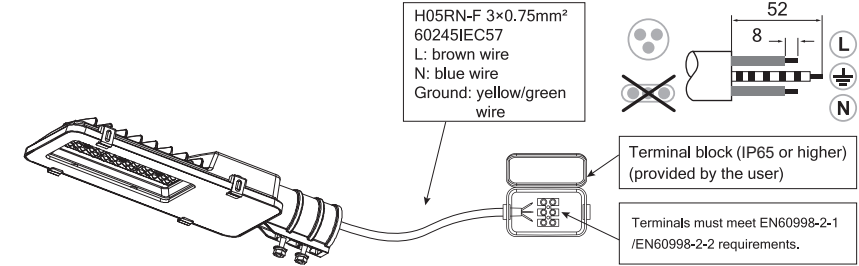
- ※ It is recommended that 2 people work together to install the lamp. One person is responsible for holding the lamp tightly, the other person is responsible for connecting the power cable, arranging the wires, and tightening the fixing screws.
- Open the package, take out the lamp, and check if the lamp is in good condition.
- Depending on the power of the lamp, choose a suitable size pole according to the installation hole diagram below.
- Please make sure that the burrs and blasting have been cleaned and protective pads have been added when installing the light pole to avoid damage to the wires during the installation process, causing electric shock.
- Product dimensions, installation hole positions and sizes:



Lamp specifications	Dimensions (mm)				Hex Socket Cap Screw (HSCS)	Max. windward area (m ²)
	A	B	C	ØD		
30W	397.5	156.3	74.9	50	M8	0.03
60W	452.5	186.4	86.5	50	M8	0.03
90W, 120W	534	257.4	70.4	60	M8	0.04
150W, 200W	701	270.4	79.4	60	M8	0.06

Connecting the power supply cable

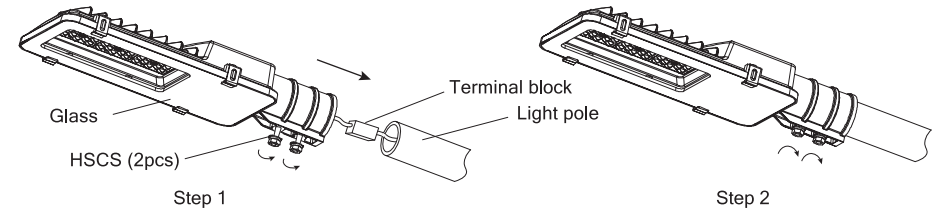
- ※ To ensure safety, make sure to disconnect the power before connecting the external power cable.
- The use of a terminal block with a waterproof box for wiring is recommended (the terminal block with the waterproof box is provided by the user). Please connect the lamp wires and the external power cable correctly onto the terminal block.
- ※ ① After the connection, the brown, blue, yellow/green wires cannot be showing from outside of the waterproof box.
- ※ Improper connection can easily lead to fire, electric shock, and other hazards.



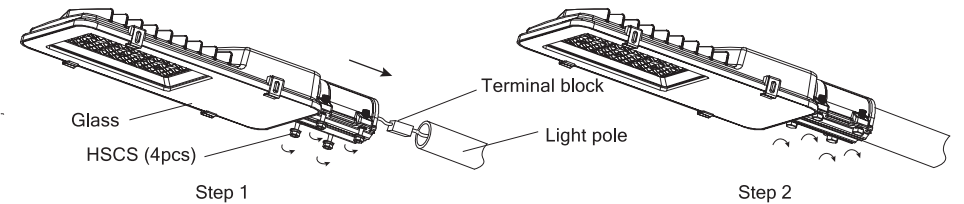
Installation Method

Please follow the safety precautions

1. Installation diagram for 30W & 60W:



2. Installation diagram for 90W & 120W & 150W & 200W:

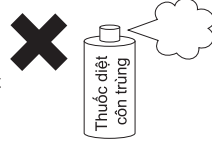


1. With a wrench, loosen the HSCS (M8) on the lamp.
 - ※ During this process, please keep the screws in a safe place.
2. One person lifts the lamp, while the other person places the connected wires into the light pole.
3. Insert the lamp into the light pole, then tighten the HSCS.
 - ※ During this process, be careful not to damage the power wires to avoid electric shock, fire, and other hazards.
4. Perform a lighting test after installation. Please do not look directly at the light source during the lighting test as the lamps are quite bright. After the test is completed, please disconnect the power supply.

Sửa chữa và bảo dưỡng

Ngắt nguồn điện để đề phòng điện giật.

- Để sử dụng sản phẩm có hữu ích nhất, cần kiểm tra và vệ sinh định kỳ 6 tháng 1 lần. Nếu không tiến hành kiểm tra, sử dụng lâu ngày có thể gây ra sự cố như hỏa hoạn, hồ điện, đèn bị rơi...
- Khi thao tác, có thể bề mặt đèn có nhiệt độ cao, trước khi xử lý phải để nguội ít nhất 10 phút
- Khi vệ sinh đèn cần dùng khăn mềm khô thấm dung dịch làm sạch và cọ nhẹ, tiếp sau đó dùng vải khô lau sạch.
Không được dùng vật sắc nhọn chạm vào đèn
- Xin không được sử dụng dung dịch lau rửa khác ngoài dung dịch trung tính, hoặc dung dịch hữu cơ để lau đèn.
Để tránh các vấn đề làm đèn bị đổi màu, biến chất, cường độ giảm hoặc hỏng v.v..
- Đề nghị không dùng chất diệt côn trùng để phun vào đèn, nhằm tránh làm đèn bị đổi màu, biến dạng, hư hỏng, v.v...



Quy cách

Mã sản phẩm	Điện áp định mức	Tần suất	Dòng điện định mức	Công suất	Hệ số công suất
NNYC2001188 NNYC2006188	220-240V~	50/60Hz	0.13A	30W(36×0.7W/LED module)	0.95
NNYC2001288 NNYC2006288	220-240V~	50/60Hz	0.29A	60W(72×0.6W/LED module)	0.95
NNYC2001388 NNYC2006388	220-240V~	50/60Hz	0.42A	90W(144×0.55W/LED module)	0.95
NNYC2001488 NNYC2006488	220-240V~	50/60Hz	0.57A	120W(144×0.75W/LED module)	0.95
NNYC2001588 NNYC2006588	220-240V~	50/60Hz	0.72A	150W(216×0.6W/LED module)	0.95
NNYC2001088 NNYC2006088	220-240V~	50/60Hz	0.9A	200W(288×0.6W/LED module)	0.95

※ Kiểu dáng và màu sắc của đèn, lấy vật thật làm chuẩn.

※ Sẽ thông báo nếu có thay đổi.

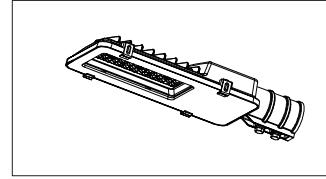
Panasonic®

HƯỚNG DẪN SỬ DỤNG

Loại đèn cố định
(LED Đèn đường)

Mã sản phẩm

(Xin tham khảo bảng thông số kĩ thuật)



Khách hàng
kinh mến

Cảm ơn bạn đã sử dụng sản phẩm của chúng tôi.

Trước khi sử dụng, xin hãy đọc kỹ để sử dụng cho đúng, và giữ cẩn thận để sử dụng sau này.

Các chú ý về an toàn

Phải tuân thủ các quy định sau

⚠ Cảnh báo

- Không lắp đặt đèn ở những vị trí mô phỏng như hình bên phải.
Nếu lắp đặt không đúng cách, có thể gây tai nạn bị rơi, điện giật, hỏa hoạn v.v...
- Vui lòng không tùy ý cải tạo đèn, tránh các sự cố như đèn rơi, điện giật, hỏa hoạn v.v...
- Để đảm bảo an toàn, phải kết nối dây tiếp địa trước khi kết nối dây nguồn điện ngoài.
- Nguồn điện sử dụng không nên vượt quá quy chuẩn sau: (điện áp định mức là 220V-240V~, tần suất là 50/60Hz).
Tránh những sự cố dẫn đến hỏa hoạn/điện giật.v.v..
- Mức độ bảo vệ đèn là IP65, vui lòng không sử dụng trong môi trường vượt quá tiêu chuẩn IP65;
khi người dùng đấu nối với dây điện nguồn, cấp bảo vệ IP của hộp nối dây không được thấp hơn cấp bảo vệ IP của đèn, hộp nối dây do người dùng tự cấp.
- Khi bề mặt thủy tinh bị hư hại, vui lòng cắt nguồn cấp điện cho đèn ngay, đồng thời không sử dụng đèn cho đến khi bề mặt thủy tinh được thay thế.
Tránh những sự cố dẫn đến hỏa hoạn/điện giật.v.v..
- Vui lòng không lắp đặt đèn tại các vị trí dưới đây.
1. Những chỗ không ổn định; 2. Chỗ bị che lấp trong thùng hoặc những góc lồi chật hẹp.
Nếu lắp đặt không đúng cách, có thể gây tai nạn bị rơi, điện giật, hỏa hoạn v.v...
- Nhiệt độ mặt chiếu sáng của đèn rất cao, vui lòng giữ khoảng cách giữa đèn và vật được chiếu sáng từ 2.5m trở lên, tránh xảy ra hỏa hoạn.



⚠ Chú ý

- Đèn này không thể sử dụng trong môi trường có tính kiềm hoặc axit.
- Trước khi sử dụng phải tháo bỏ hết các phần phụ kiện đóng gói ra.
Trước khi lắp đặt vui lòng xác nhận đã bỏ hết các giấy tờ và keo trên thân đèn để đề phòng cháy nổ.
- Nhằm đảm bảo sự an toàn, khi kiểm tra đèn hay sửa chữa nên đề nghị thợ điện sửa chữa, nếu không phải thợ điện dễ xảy ra nguy hiểm.
- Vui lòng không lắp đặt đèn trên bất kỳ vật thể có nhiệt độ cao nào hoặc đặt bất kỳ vật thể có nhiệt độ cao nào bên cạnh đèn
- Khi đèn có dấu hiệu bất thường, vui lòng ngắt điện ngay, đồng thời liên hệ nhà cung cấp hoặc công ty lắp đặt.
- Nếu cáp mềm hoặc dây mềm bên ngoài đèn này bị hư hại, dây đó phải được nhà sản xuất hoặc đại lý dịch vụ hoặc nhân viên có chức năng tương tự thay thế, tránh xảy ra nguy hiểm.
- Nếu muốn thay nguồn sáng của đèn thì phải được tiến hành do nhà sản xuất hoặc trung tâm bảo hành.



Cảnh báo: nguy cơ điện giật

- Ánh sáng đèn không thể điều chỉnh, vui lòng không sử dụng thiết bị điều chỉnh ánh sáng như bộ điều khiển độ sáng, tránh gây hư hỏng đèn.
- Khi sửa chữa, trong 10 phút sau khi đèn tắt vui lòng không chạm vào mặt chiếu sáng, tránh sự cố do mặt chiếu sáng quá nóng dẫn đến bị thương do bỏng.
- Đèn LED có sai khác về màu sắc, cả khi kiểu màu và độ sáng của sản phẩm cùng loại cũng khác nhau.

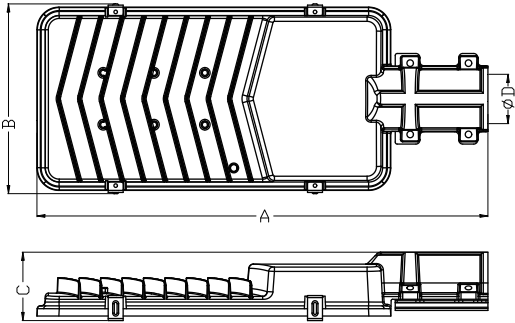
- Vui lòng không sử dụng thiết bị điều chỉnh ánh sáng, như thiết bị điều chỉnh chiếu sáng và thiết bị điều chỉnh độ sáng, tránh làm tổn hại đèn
- Khi sửa chữa, trong 10 phút sau khi đèn tắt vui lòng không chạm vào mặt chiếu sáng, tránh sự cố do mặt chiếu sáng quá nóng dẫn đến bị thương do bỏng.
- Đèn LED có sai khác về màu sắc, cả khi kiểu màu và độ sáng của sản phẩm cùng loại cũng khác nhau.
- Vui lòng nắm rõ các chỉ dẫn đấu nối dây nguồn, để đấu nối chính xác dây cấp điện đến đèn.
- Hãy sử dụng đèn này trong môi trường có nhiệt độ 5-45 C.
- Vui lòng tuân thủ “nhật ký thi công” mỗi 06 tháng tiến hành tự kiểm tra 01 lần, mỗi 03 năm nhân viên chuyên nghiệp tiến hành kiểm tra 01 lần, tránh đèn tiềm ẩn nguy cơ an toàn như rơi rớt , rò điện, v.v...

Nhật ký thi công

				Chú thích
Ngày lắp đặt				
Loại nguồn sáng				
Ngày kiểm tra				
Hạng mục kiểm tra				

Chuẩn bị kỹ trước khi lắp đèn

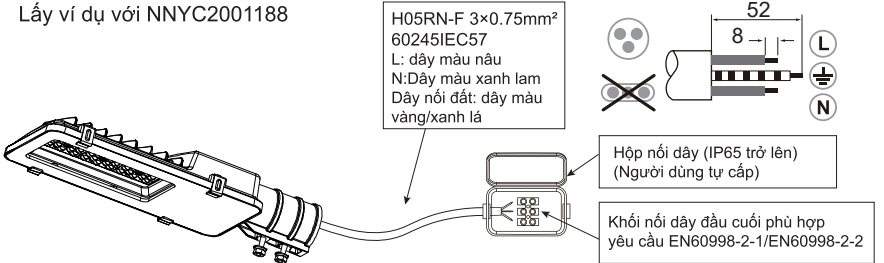
- ※ Khi lắp đặt đèn, kiến nghị 2 người cùng thao tác, 1 người phụ trách giữ chặt đèn, người còn lại phụ trách đấu nối dây nguồn, điều chỉnh dây nguồn và siết chặt vít ren.
- Mở bao bì, lấy đèn ra, kiểm tra tình trạng đèn có hoàn chỉnh không.
- Căn cứ vào công suất của đèn dựa theo bản vẽ vị trí các lỗ lắp đặt phía dưới chọn kích thước cột đèn phù hợp
- Vui lòng xác nhận cột đèn trước khi lắp đặt đã xử lý xong các gờ ráp, các mảng bám biên, hoặc thêm miếng bảo vệ, tránh tổn hại đến dây nguồn trong quá trình lắp đặt, dẫn đến sự cố rò điện.
- Kích thước bên ngoài sản phẩm, kích thước và vị trí lỗ lắp đặt



Quy cách đèn	Quy cách kích thước				Quy cách bu lông lục giác trong	Diện tích đón gió lớn nhất
	A	B	C	ΦD		
30W	397.5	156.3	74.9	50	M8	0.03
60W	452.5	186.4	86.5	50	M8	0.03
90W, 120W	534	257.4	70.4	60	M8	0.04
150W, 200W	701	270.4	79.4	60	M8	0.06

Kết nối dây nguồn

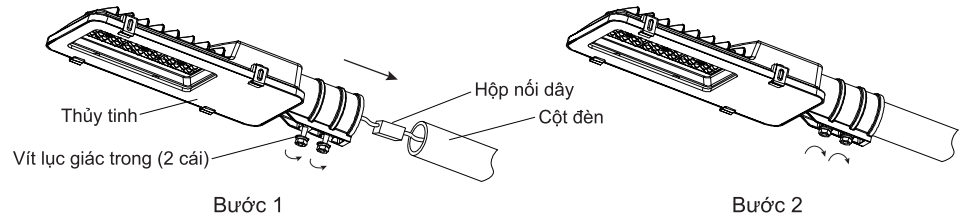
- ※ Để đảm bảo an toàn, phải cắt điện trước khi đấu nối dây nguồn bên ngoài.
- Đề nghị sử dụng khối đầu dây đầu cuối của hộp chống nước tiến hành nối dây (khối đầu dây đầu cuối của hộp chống nước do người dùng tự cấp)
Vui lòng đấu nối dây điện nguồn của đèn và dây điện nguồn bên ngoài đấu nối trên khối đầu dây đầu cuối.
- ※ ① Sau khi nối, dây dẫn màu nâu, xanh lam, vàng/xanh lá không được lòi ra ngoài hộp chống nước.
- ※ Nếu đầu nối không đúng, dễ dẫn đến sự cố hỏa hoạn, rò điện



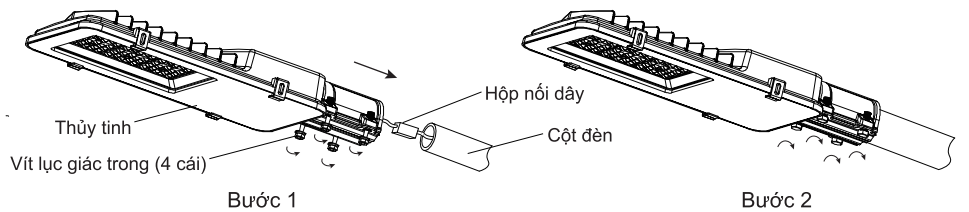
Phương thức lắp đặt

Vui lòng tuân thủ theo các mục chú ý an toàn

1. Bản vẽ miêu tả lắp ráp đèn 30W&60W



2. Bản vẽ miêu tả lắp ráp đèn 90W&120W & 150W&200W



- Dùng cờ lê nhà vít ren lục giác (M8) trên đèn.
※ Trong quá trình này vui lòng bảo quản kỹ vít ren.
- Một người nâng đèn lên, người còn lại đặt dây điện nối sẵn vào trong cột đèn.
- Đặt đèn gắn vào trên cột, sau đó siết chặt vít ren lục giác.
※ Trong quá trình này, không được làm tổn hại đến dây nguồn, tránh dẫn đến sự cố rò điện, hỏa hoạn.
- Sau khi lắp đặt xong tiến hành chiếu sáng thử nghiệm, do đèn tương đối sáng, do đó trong quá trình chiếu sáng thử nghiệm tránh nhìn trực tiếp vào nguồn sáng. Thử nghiệm xong vui lòng ngắt nguồn.

การซ่อมบำรุงและดูแล

ยืนยันให้แน่ใจว่าตัดไฟแล้ว เพื่อป้องกันอุบัติเหตุไฟช็อต

- เพื่อการใช้งานสินค้าอย่างปลอดภัยและมีประสิทธิภาพสูง ให้ทำความสะอาดและตรวจสอบทุก 6 เดือน หากไม่ตรวจสอบ เมื่อใช้เป็นเวลานานอาจเกิดอุบัติเหตุ เพลิงไหม้ ไฟช็อต หรือคอมไฟตกหล่น
- ขณะปฏิบัติงาน พื้นผิวของคอมไฟอาจมีอุณหภูมิสูง ควรรอให้เย็นลงประมาณ 10 นาทีก่อนทำงาน
- เมื่อต้องทำความสะอาดคอมไฟ ให้ใช้น้ำยาทำความสะอาดที่เป็นกลางในการเช็ดดู จากนั้นใช้ผ้าแห้งเช็ด อย่าใช้ของมีคมในการจัดการกับคอมไฟ
- อย่าใช้น้ำยาทำความสะอาดหรือสารละลายอินทรีย์ที่นอกเหนือจากน้ำยาทำความสะอาดที่เป็นกลางในการเช็ดดูคอมไฟ เพื่อหลีกเลี่ยงปัญหาคอมไฟเปลี่ยนสี เสื่อมคุณภาพ แสงสว่างลดลงหรือชำรุด
- อย่าฉีดยาฆ่าแมลงที่คอมไฟ เพราะจะทำให้คอมไฟเปลี่ยนสีหรือชำรุด



ข้อมูลจำเพาะ

หมายเลขรุ่น	แรงดันไฟฟ้าที่กำหนด	ความถี่	กระแสไฟฟ้าที่กำหนด	กำลังไฟฟ้า	ค่าตัวประกอบกำลังไฟฟ้า
NNYC2001188 NNYC2006188	220-240V~	50/60Hz	0.13A	30W (36×0.7W/LED module)	0.95
NNYC2001288 NNYC2006288	220-240V~	50/60Hz	0.29A	60W (72×0.6W/LED module)	0.95
NNYC2001388 NNYC2006388	220-240V~	50/60Hz	0.42A	90W (144×0.55W/LED module)	0.95
NNYC2001488 NNYC2006488	220-240V~	50/60Hz	0.57A	120W (144×0.75W/LED module)	0.95
NNYC2001588 NNYC2006588	220-240V~	50/60Hz	0.72A	150W(216×0.6W/LED module)	0.95
NNYC2001088 NNYC2006088	220-240V~	50/60Hz	0.9A	200W(288×0.6W/LED module)	0.95

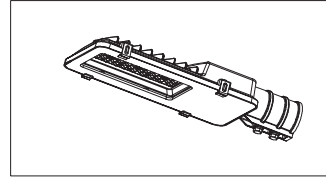
- ※ แบบและสีของคอมไฟ ให้ถือเอาสินค้าจริงเป็นหลัก
- ※ หากมีการเปลี่ยนแปลง จะไม่มีการแจ้งให้ทราบ

Panasonic®

หนังสือคู่มือการใช้งาน

ไฟถนน แอลอีดี

หมายเลขรุ่น
(ดูรายละเอียดในตาราง)



ถึงผู้ใช้

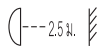
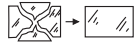
ขอขอบคุณที่ซื้อผลิตภัณฑ์ของพานาโซนิค กรุณาอ่านคู่มือก่อนการใช้งาน เพื่อการใช้งานที่ถูกต้อง กรุณาเก็บรักษาคู่มือให้ดี

ข้อควรระวังด้านความปลอดภัย

กรุณาปฏิบัติตามคำแนะนำ

คำเตือน

- ในการปฏิบัติงาน กรุณาติดตั้งตามคู่มือการติดตั้งอย่างเคร่งครัด หากติดตั้งไม่เหมาะสม อาจเกิดอุบัติเหตุการตกหล่น ไฟช็อต เพลิงไหม้
- ห้ามดัดแปลงแก้ไขคอมไฟ เพื่อหลีกเลี่ยงอุบัติเหตุการตกหล่น ไฟช็อต เพลิงไหม้
- เพื่อความปลอดภัย ก่อนเชื่อมต่อสายไฟพาวเวอร์ กรุณาต่อสายกราวด์ก่อน
- อย่านำแรงดันไฟฟ้าเกินที่กำหนด (แรงดันไฟฟ้า 220V-240V~ ความถี่ 50/60Hz) เพื่อหลีกเลี่ยงอุบัติเหตุไฟช็อต เพลิงไหม้
- ระดับการป้องกันของคอมไฟนี้เกรด IP65 ดังนั้นกรุณาอย่าใช้ในสภาพแวดล้อมที่เกิน IP65 เมื่อผู้ใช้เชื่อมต่อสายไฟพาวเวอร์ เกรด IP ของกล่องเชื่อมต่อสายไฟต้องไม่ต่ำกว่าเกรด IP ของคอมไฟ (ผู้ใช้งานเป็นผู้จัดหากกล่องเชื่อมต่อสายไฟเอง)
- เมื่อกระชากชำรุด กรุณารีบตัดการจ่ายไฟให้คอมไฟทันที และก่อนการเปลี่ยนกระชาก ห้ามไม่ให้ใช้คอมไฟเพื่อหลีกเลี่ยงอุบัติเหตุไฟช็อต เพลิงไหม้
- ห้ามติดตั้งคอมไฟในบริเวณดังต่อไปนี้
 1. สถานที่ที่ไม่มั่นคง
 2. ช่องหรือพื้นที่ที่มีความลึกและแคบ หรือสถานที่ที่มีสิ่งของบดบัง
 หากติดตั้งไม่เหมาะสม อาจเกิดอุบัติเหตุการตกหล่น ไฟช็อต เพลิงไหม้
- รักษาระยะห่างขั้นต่ำ 2.5 เมตร จากพื้นผิวของวัตถุ กับคอมไฟซึ่งมีความร้อนสูง เพื่อป้องกันการเกิดเพลิงไหม้



ข้อควรระวัง

- ห้ามใช้คอมไฟนี้ในสภาพแวดล้อมที่เป็นกรดหรือเป็นด่าง
- ก่อนการติดตั้ง ให้นำวัสดุหีบห่อและชิ้นส่วนประกอบออกมาก่อนการติดตั้ง ให้ยืนยันว่านำวัสดุหีบห่อ ชิ้นส่วนประกอบ เทปกาว ออกจากคอมไฟแล้ว เพื่อป้องกันเพลิงไหม้
- เพื่อเป็นการรับประกันความปลอดภัย ในขณะที่ซ่อมบำรุงและตรวจสอบคอมไฟ กรุณาเรียกช่างไฟมาปฏิบัติงาน การซ่อมบำรุงโดยบุคคลที่ไม่ใช่ช่าง อาจเกิดอันตรายได้ง่าย
- กรุณาอย่าติดตั้งคอมไฟบนวัตถุที่มีอุณหภูมิสูงใดๆ ทั้งสิ้น หรือนำวัตถุที่มีอุณหภูมิสูงใดๆ มาวางไว้ข้างคอมไฟ
- หากคอมไฟมีอาการผิดปกติ ให้ตัดไฟทันที จากนั้นให้ติดต่อบริษัทจัดจำหน่ายหรือบริษัทที่ติดตั้ง
- หากสายเคเบิลหรือสายไฟที่อยู่ภายนอกของคอมไฟนี้ชำรุด ต้องให้บริษัทผู้ผลิต หรือตัวแทนจำหน่ายหรือช่างที่มีคุณสมบัติมาทำการเปลี่ยน เพื่อป้องกันการเกิดอันตราย
- แหล่งกำเนิดแสงของคอมไฟนี้ ต้องให้บริษัทผู้ผลิต หรือตัวแทนบริการหรือช่างที่มีคุณสมบัติมาทำการเปลี่ยน



คำเตือน อันตรายจากไฟช็อต

- คอมไฟนี้เป็นแบบปรับแสงไม่ได้ กรุณาอย่าใช้อุปกรณ์หรือแสง เช่น ดิมเมอร์หรือสวิตช์หรี่ไฟ เพื่อหลีกเลี่ยงการที่คอมไฟอาจเสียหาย
- ขณะทำการซ่อมบำรุง ในช่วงหลังปิดไฟ 10 นาทีแรก อย่าสัมผัสผิวด้านแหล่งกำเนิดแสง เพื่อป้องกันไม่ให้เกิดอุบัติเหตุจากความร้อนของตัวแหล่งกำเนิดแสงที่จะลุกไหม้ร่างกาย
- แหล่งกำเนิดแสง LED อาจมีสีต่างกัน ถึงแม้จะเป็นสินค้ารุ่นเดียวกัน สีและระดับความสว่างอาจแตกต่างกัน

- กรุณาอย่าใช้อุปกรณ์หรือแสง เช่น ดิมเมอร์หรือสวิตช์หรี่ไฟ เพื่อหลีกเลี่ยงการที่โคมไฟอาจเสียหาย
- ขณะทำการซ่อมบำรุง ในช่วงหลังปิดไฟ 10 นาทีแรก อย่าสัมผัสโดนแหล่งกำเนิดแสง เพื่อป้องกันไม่ให้เกิดอุบัติเหตุจากความร้อนของตัวแหล่งกำเนิดแสงที่จะฉวกไหม้ร่างกาย
- แหล่งกำเนิดแสง LED อาจมีสีต่างกัน ถึงแม้จะเป็นสินค้ารุ่นเดียวกัน สีและระดับความสว่างอาจแตกต่างกัน
- ให้ศึกษาเกี่ยวกับค่าแอมป์ระบบจ่ายไฟ เพื่อเชื่อมต่อกับแหล่งจ่ายไฟหลักกับอุปกรณ์โคมไฟได้อย่างถูกต้อง
- ใช้โคมไฟนี้ในสภาพแวดล้อมที่มีอุณหภูมิ 5-45°C
- ทำการตรวจด้วยตนเอง 6 เดือน/1 ครั้ง และตรวจสอบโดยช่าง 3 ปี/1 ครั้ง ตาม <บันทึกการตรวจซ่อม> เพื่อป้องกันความเสี่ยงที่โคมไฟจะตกหล่นไฟช็อต

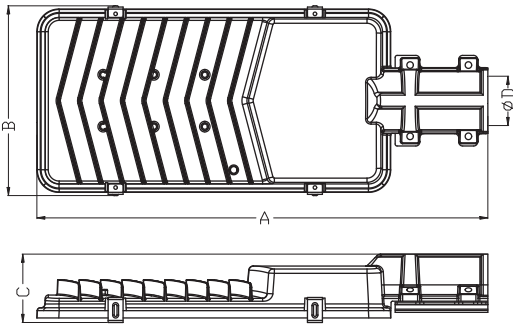
บันทึกการตรวจซ่อม

วันที่ติดตั้ง	หมายเลขรุ่น	วันที่ตรวจซ่อม	รายการตรวจซ่อม	หมายเหตุ

การเตรียมการก่อนติดตั้ง

※ การติดตั้งโคมไฟ แนะนำให้ปฏิบัติงาน 2 คน โดยคนหนึ่งถือโคมไฟ อีกคนหนึ่งต่อสายไฟ จัดสายไฟและขันสกรูติดตั้งให้แน่น

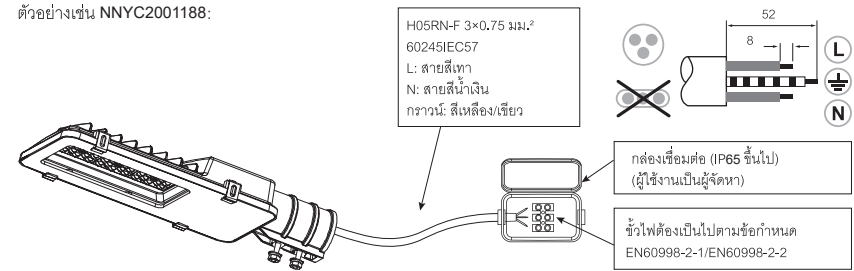
- แกะหีบห่อ หยิบโคมไฟออกมา ตรวจสอบว่าโคมไฟสมบูรณ์ดีหรือไม่
- เลือกเสาสำหรับติดตั้งตามขนาดกำลังไฟและขนาดรูติดตั้งของโคมไฟ
- ตรวจสอบว่ารูสำหรับติดตั้งของเสามีการลบคมแล้ว หรือมีการเพิ่มยางป้องกัน เพื่อหลีกเลี่ยงสายไฟเกิดการชำรุดขณะติดตั้ง ซึ่งอาจทำให้เกิดอุบัติเหตุไฟช็อต
- ขนาดภายนอกของสินค้า ตำแหน่งและขนาดของรูติดตั้ง กรุณาอ้างอิงตามตารางด้านล่าง:



ขนาดโคมไฟ	ขนาด (มม.)				ขนาดของสกรูเหล็กเหล็มน	พื้นที่รับลมสูงสุด (ม.²)
	A	B	C	ØD		
30W	397.5	156.3	74.9	50	M8	0.03
60W	452.5	186.4	86.5	50	M8	0.03
90W, 120W	534	257.4	70.4	60	M8	0.04
150W, 200W	701	270.4	79.4	60	M8	0.06

สายไฟพาวเวอร์สำหรับเชื่อมต่อ

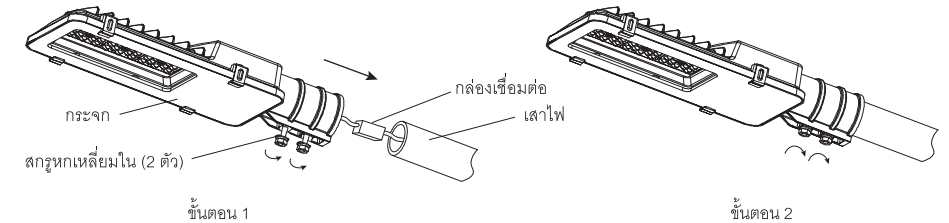
- ※ เพื่อความปลอดภัย ก่อนเชื่อมต่อสายไฟพาวเวอร์ กรุณาตัดไฟก่อน
 - แนะนำให้ใช้ขั้วไฟแบบอยู่ในกล่องกันน้ำ (ผู้ใช้งานเป็นผู้จัดหาขั้วไฟแบบอยู่ในกล่องกันน้ำเอง)
- นำสายไฟพาวเวอร์ของโคมไฟต่อเข้ากับขั้วไฟที่ต่อมาจากภายนอกให้ถูกต้อง
- ※ (1) เมื่อเชื่อมต่อแล้ว ห้ามมีสายสีเทา สีน้ำเงิน สีเหลือง/เขียว ในสล็อตภายนอกกล่อง
 - ※ หากเชื่อมต่อไม่เหมาะสม อาจเกิดอุบัติเหตุเพลิงไหม้ ไฟช็อต ได้ง่าย



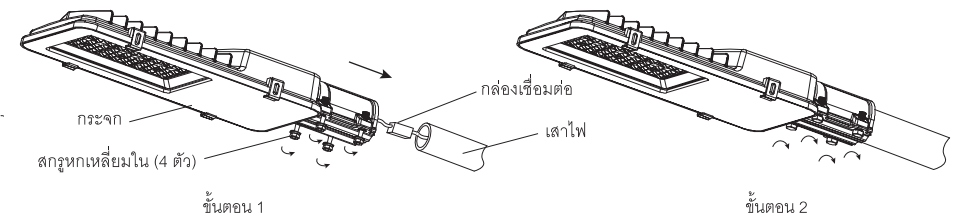
วิธีการติดตั้ง

กรุณาปฏิบัติตามข้อควรระวังด้านความปลอดภัย

1. ภาพแสดงการติดตั้ง 30W&60W:



2. ภาพแสดงการติดตั้ง 90W&120W & 150W & 200W:



- ใช้ประแจคลายสกรูเหล็กเหล็มนของชุดโคมไฟออก (M8)
 - ※ ในขั้นตอนนี้ ให้เก็บสกรูไว้เรียบร้อย
- คนหนึ่งยกชุดโคมไฟออก อีกคนหนึ่งสอดสายไฟที่ต่อเรียบร้อยแล้วลงในเสาไฟ
- นำโคมไฟเสียบลงที่เสาไฟ จากนั้นล็อกด้วยสกรูเหล็กเหล็มนให้แน่น
 - ※ ในขั้นตอนนี้ ต้องระวังไม่ให้สายไฟที่จ่ายไฟเข้าชำรุดเสียหาย เพื่อหลีกเลี่ยงอุบัติเหตุ เช่น ไฟช็อต เพลิงไหม้ เป็นต้น
- เมื่อติดตั้งแล้วทดลองเปิดไฟดู เวลาเปิดไฟ แสงจะมีความสว่างจ้ามาก อย่างองที่แหล่งกำเนิดแสงโดยตรง เมื่อทดลองเสร็จ ให้ปิดสวิตช์จ่ายไฟ