

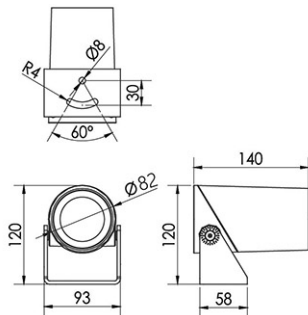
Panasonic



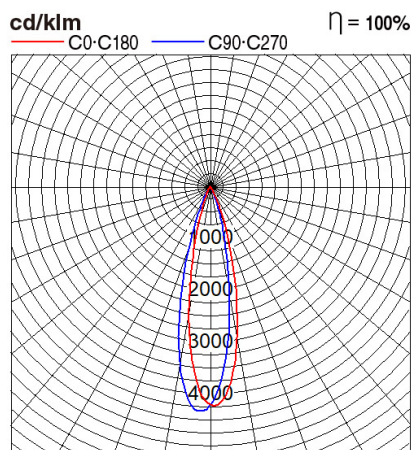
Certificates & Standards

RoHs

Dimension and Materials



Photometric Chart



Ref. No.	
Type of Luminaire	Decorative Light Decorative Light Floodlight RGBW & Mono Color
Set Model No.	NNP30650GL
Type of Light Source	LED
Power Input	10W
System Lumen Output	850 lm
System Efficacy	
Power Voltage	100-240V
Power Factor	
Lifetime	50000H(L70)
CCT	4000K
CRI	80
SDCM	
Input Frequency	50/60Hz
Dimming	non-Dimmable
Dimming Range	
UGR	
Glare Cut Angle	75deg.
Beam Angle	30deg.
Rotation Angle	
Tilt Angle	
IP code	66
IK code	
Ambient Temperature Range	-25 - 50°C
Surge Protection	
Classification of Luminaires	
THDi	
Effective Projected Area	
Driver	Integrated
Cut Out Size	
Dimensions	120mm*140mm
Weight	
Body	ADC
Reflector	
Diffuser	
Trim	
Casing	
Country of Origin	China
Brand	Panasonic
Remarks	

Spec and certification may change without notice.

Others