

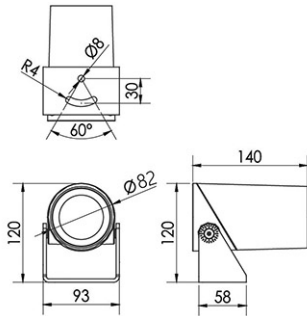
Panasonic



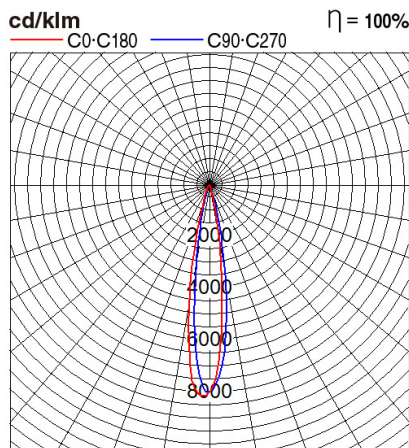
Certificates & Standards

RoHs

Dimension and Materials



Photometric Chart



Ref. No.	
Type of Luminaire	Decorative Light Decorative Light Floodlight RGBW & Mono Color
Set Model No.	NNP30850GL
Type of Light Source	LED
Power Input	8W
System Lumen Output	360 lm
System Efficacy	
Power Voltage	DC24V
Power Factor	
Lifetime	50000H(L70)
CCT	RGBWK
CRI	
SDCM	
Input Frequency	
Dimming	non-Dimmable
Dimming Range	
UGR	
Glare Cut Angle	86deg.
Beam Angle	30deg.
Rotation Angle	
Tilt Angle	
IP code	66
IK code	
Ambient Temperature Range	-25 - 50°C
Surge Protection	
Classification of Luminaries	
THDi	
Effective Projected Area	
Driver	Integrated
Cut Out Size	
Dimensions	120mm*140mm
Weight	
Body	ADC
Reflector	
Diffuser	
Trim	
Casing	
Country of Origin	China
Brand	Panasonic
Remarks	

Spec and certification may change without notice.

Others