

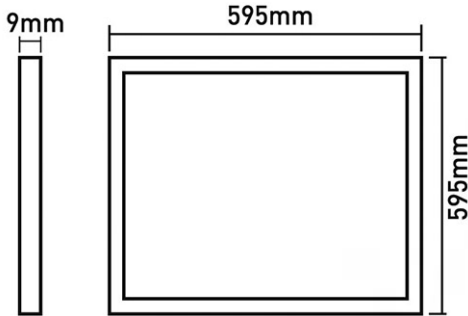
# Panasonic



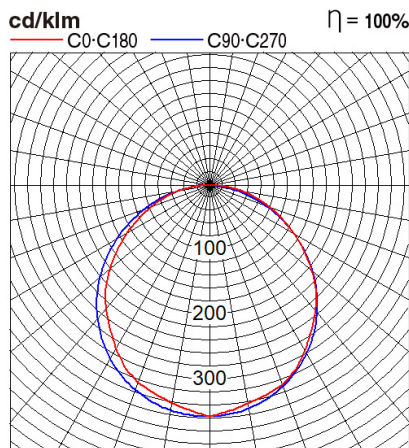
## Certificates & Standards

RoHS

## Dimension and Materials



## Photometric Chart



|                              |  |
|------------------------------|--|
| Ref. No.                     |  |
| Type of Luminaire            | Baselight<br>Standard Baselight (Pro)<br>Panel Light |
| Set Model No.                | <b>NNP86120K031</b>                                  |
| Type of Light Source         | LED  |
| Power Input                  | 30W  |
| System Lumen Output          | 3300 lm  |
| System Efficacy              | 110 lm/W   |
| Power Voltage                | 100-242V   |
| Power Factor                 | 0.9  |
| Lifetime                     | 50000H(L70)  |
| CCT                          | 4000K  |
| CRI                          | 80   |
| SDCM                         |  |
| Input Frequency              | 50/60Hz  |
| Dimming                      | non-Dimmable   |
| Dimming Range                |  |
| UGR                          |  |
| Glare Cut Angle              | 30deg.   |
| Beam Angle                   | 120deg.  |
| Rotation Angle               |  |
| Tilt Angle                   |  |
| IP code                      | 20   |
| IK code                      |  |
| Ambient Temperature Range    | 5 - 30°C   |
| Surge Protection             |  |
| Classification of Luminaires |  |
| THDi                         |  |
| Effective Projected Area     |  |
| Driver                       | External   |
| Cut Out Size                 |  |
| Dimensions                   | 595mm*595mm*9mm                                      |
| Weight                       | 1.95 kg  |
| Body                         | PC   |
| Reflector                    |  |
| Diffuser                     |  |
| Trim                         |  |
| Casing                       |  |
| Country of Origin            | China  |
| Brand                        | Panasonic  |
| Remarks                      |  |

## Others

Spec and certification may change without notice.