

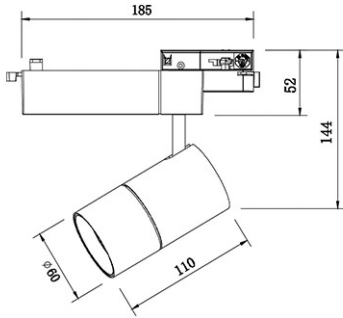
# Panasonic



## Certificates & Standards

RoHs

## Dimension and Materials



Height to lighted plane (m)	Initial beam center illuminance (lux)	Beam Diameter (mm)	Initial beam edge illuminance (lux)
1	9,475	425	4,434
2	2,369	850	1,109
3	1,053	1,275	493

Ref. No.	
Type of Luminaire	Spotlight Track Lighting Ex-A
Set Model No.	<b>NNV00106WE1A</b>
Type of Light Source	LED
Power Input	15W
System Lumen Output	1500 lm
System Efficacy	100 lm/W
Power Voltage	220-240V
Power Factor	0.9
Lifetime	50000H(L70)
CCT	3000K
CRI	80
SDCM	<5
Input Frequency	50/60Hz
Dimming	non-Dimmable
Dimming Range	
UGR	
Glare Cut Angle	
Beam Angle	24deg.
Rotation Angle	
Tilt Angle	
IP code	20
IK code	
Ambient Temperature Range	5 - 35°C
Surge Protection	
Classification of Luminaires	Class I
THDi	
Effective Projected Area	
Driver	Integrated
Cut Out Size	
Dimensions	60mm*110mm
Weight	0.56 kg
Body	ADC(White)
Reflector	
Diffuser	PMMA(Transparent)
Trim	
Casing	
Country of Origin	China
Brand	Panasonic
Remarks	

## Others

Spec and certification may change without notice.