

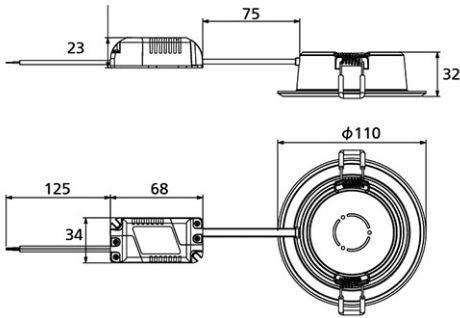
Panasonic



Certificates & Standards

CISPR15 / CR

Dimension and Materials



Photometric Chart

Ref. No.	
Type of Luminaire	Downlight
	CCT Changeable DL
	DN 2G
Set Model No.	NNV70950WE1A
Type of Light Source	LED
Power Input	9W
System Lumen Output	720 lm
System Efficacy	80 lm/W
Power Voltage	220-240V
Power Factor	
Lifetime	20000H(L70)
CCT	Color Changes : 3000-4000-6500K
CRI	80
SDCM	
Input Frequency	50/60Hz
Dimming	non-Dimmable
Dimming Range	
UGR	
Glare Cut Angle	
Beam Angle	
Rotation Angle	
Tilt Angle	
IP code	20
IK code	
Ambient Temperature Range	0 - 40°C
Surge Protection	
Classification of Luminaires	Class II
THDi	
Effective Projected Area	
Driver	Integrated
Cut Out Size	90mm
Dimensions	109mm*32mm
Weight	0.09 kg
Body	PP(White)
Reflector	
Diffuser	
Trim	PP(White)
Casing	
Country of Origin	China
Brand	Panasonic
Remarks	

Spec and certification may change without notice.

Others