

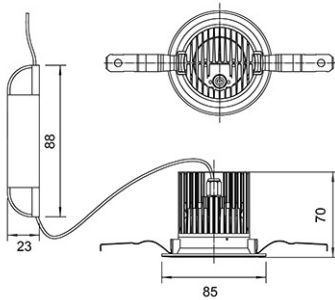
Panasonic



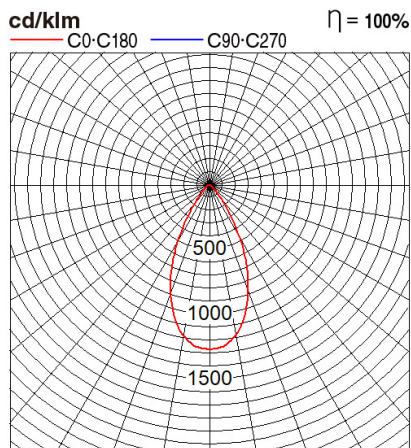
Certificates & Standards

RoHs

Dimension and Materials



Photometric Chart



| | |
|------------------------------|---------------------|
| Ref. No. | |
| Type of Luminaire | Downlight |
| | Waterproof DL |
| | Ex-H IP54 |
| Set Model No. | NNV71805WE1A |
| Type of Light Source | LED |
| Power Input | 12W |
| System Lumen Output | 1045 lm |
| System Efficacy | 87 lm/W |
| Power Voltage | 220V |
| Power Factor | 0.95 |
| Lifetime | 50000H(L70) |
| CCT | 2700K |
| CRI | 90 |
| SDCM | <5 |
| Input Frequency | 50/60Hz |
| Dimming | non-Dimmable |
| Dimming Range | |
| UGR | |
| Glare Cut Angle | |
| Beam Angle | 60deg. |
| Rotation Angle | |
| Tilt Angle | |
| IP code | 54 |
| IK code | |
| Ambient Temperature Range | 5 - 35°C |
| Surge Protection | |
| Classification of Luminaires | Class II |
| THDi | |
| Effective Projected Area | |
| Driver | External |
| Cut Out Size | 75mm |
| Dimensions | 85mm*70mm |
| Weight | 2.5 kg |
| Body | ADC(White) |
| Reflector | |
| Diffuser | PMMA(Transparent) |
| Trim | ADC(White) |
| Casing | |
| Country of Origin | China |
| Brand | Panasonic |
| Remarks | |

Spec and certification may change without notice.

Others