

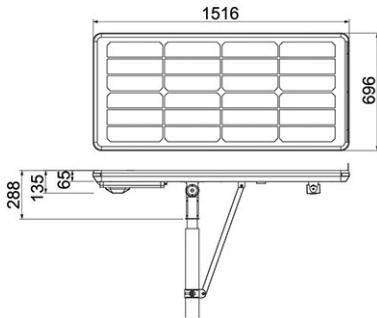
# Panasonic



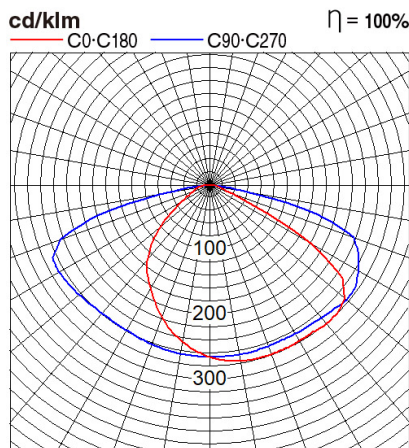
## Certificates & Standards

RoHS

## Dimension and Materials



## Photometric Chart



Ref. No.	
Type of Luminaire	Street Light Solar Street Light Integrated - PRO Series
Set Model No.	<b>NSP10540</b>
Type of Light Source	LED
Power Input	30W
System Lumen Output	5400 lm
System Efficacy	180 lm/W
Power Voltage	
Power Factor	
Lifetime	50000H(L70)
CCT	
CRI	70
SDCM	
Input Frequency	
Dimming	non-Dimmable
Dimming Range	
UGR	
Glare Cut Angle	30deg.
Beam Angle	120deg.
Rotation Angle	
Tilt Angle	
IP code	66
IK code	
Ambient Temperature Range	5 - 40°C
Surge Protection	
Classification of Luminaires	
THDi	
Effective Projected Area	
Driver	Integrated
Cut Out Size	
Dimensions	696mm*1516mm*288mm
Weight	
Body	ADC & Aluminium Extrusion
Reflector	
Diffuser	
Trim	
Casing	
Country of Origin	China
Brand	Panasonic
Remarks	Color temperature :5500K

Spec and certification may change without notice.

## Others