

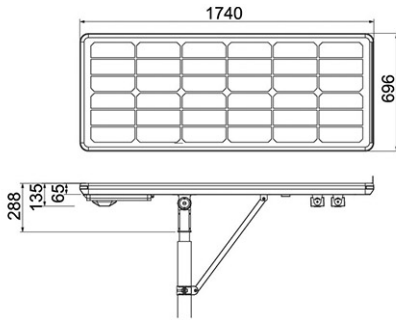
# Panasonic



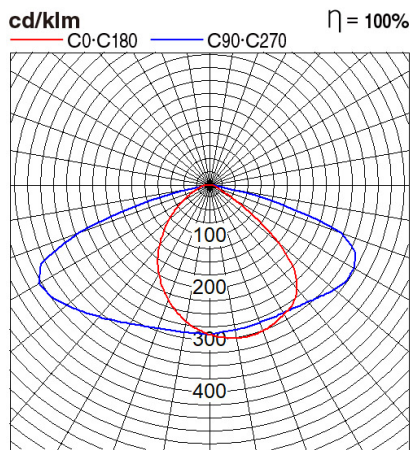
## Certificates & Standards

RoHs

## Dimension and Materials



## Photometric Chart



|                              |   |
|------------------------------|---|
| Ref. No.                     |   |
| Type of Luminaire            | Street Light<br>Solar Street Light<br>Integrated - PRO Series |
| Set Model No.                | <b>NSP11640</b>   |
| Type of Light Source         | LED   |
| Power Input                  | 50W   |
| System Lumen Output          | 9000 lm   |
| System Efficacy              | 180 lm/W  |
| Power Voltage                |   |
| Power Factor                 |   |
| Lifetime                     | 50000H(L70)   |
| CCT                          |   |
| CRI                          | 70  |
| SDCM                         |   |
| Input Frequency              |   |
| Dimming                      | non-Dimmable  |
| Dimming Range                |   |
| UGR                          |   |
| Glare Cut Angle              | 30deg.  |
| Beam Angle                   | 120deg.   |
| Rotation Angle               |   |
| Tilt Angle                   |   |
| IP code                      | 66  |
| IK code                      |   |
| Ambient Temperature Range    | 5 - 40°C  |
| Surge Protection             |   |
| Classification of Luminaires |   |
| THDi                         |   |
| Effective Projected Area     |   |
| Driver                       | Integrated  |
| Cut Out Size                 |   |
| Dimensions                   | 696mm*1740mm*288mm  |
| Weight                       |   |
| Body                         | ADC & Aluminium Extrusion                                     |
| Reflector                    |   |
| Diffuser                     |   |
| Trim                         |   |
| Casing                       |   |
| Country of Origin            | China   |
| Brand                        | Panasonic   |
| Remarks                      | Color temperature :5500K                                      |

Spec and certification may change without notice.

## Others