

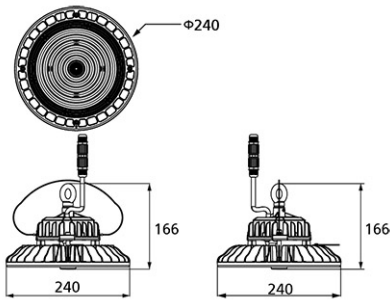
Panasonic



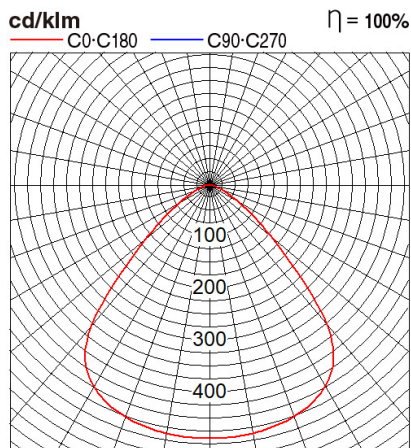
Certificates & Standards

RoHs / TISI

Dimension and Materials



Photometric Chart



| | |
|------------------------------|---|
| Ref. No. | |
| Type of Luminaire | High Bay High Efficacy/Standard High Bay Standard Ex 4G |
| Set Model No. | NYV20156BE2A |
| Type of Light Source | LED |
| Power Input | 110W |
| System Lumen Output | 16500 lm |
| System Efficacy | 150 lm/W |
| Power Voltage | 220-240V |
| Power Factor | 0.95 |
| Lifetime | 50000H(L70) |
| CCT | 5000K |
| CRI | 80 |
| SDCM | <5 |
| Input Frequency | 50/60Hz |
| Dimming | non-Dimmable |
| Dimming Range | |
| UGR | |
| Glare Cut Angle | |
| Beam Angle | 90deg. |
| Rotation Angle | |
| Tilt Angle | |
| IP code | 65 |
| IK code | IK10 |
| Ambient Temperature Range | -30 - 50°C |
| Surge Protection | 10kV |
| Classification of Luminaires | Class I |
| THDi | |
| Effective Projected Area | |
| Driver | Integrated |
| Cut Out Size | |
| Dimensions | 240mm*166mm |
| Weight | 1.95 kg |
| Body | ADC(Black) |
| Reflector | |
| Diffuser | PC(Transparent) |
| Trim | |
| Casing | |
| Country of Origin | China |
| Brand | Panasonic |
| Remarks | Corrosion protection:WF2 |

Spec and certification may change without notice.

Others